

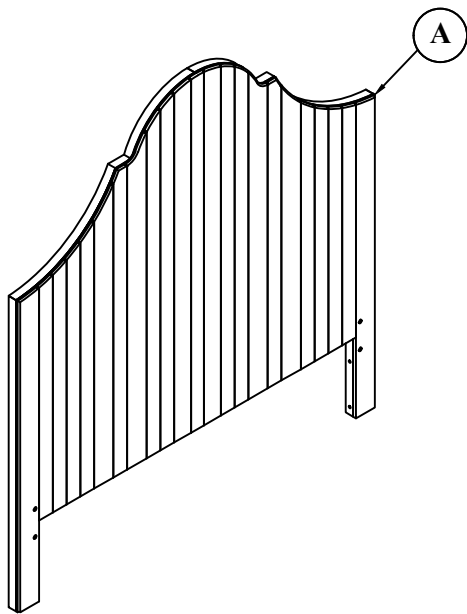
# ELLA FULL / QUEEN ASSEMBLY INSTRUCTIONS



## PARTS PACKING CONFIGURATIONS

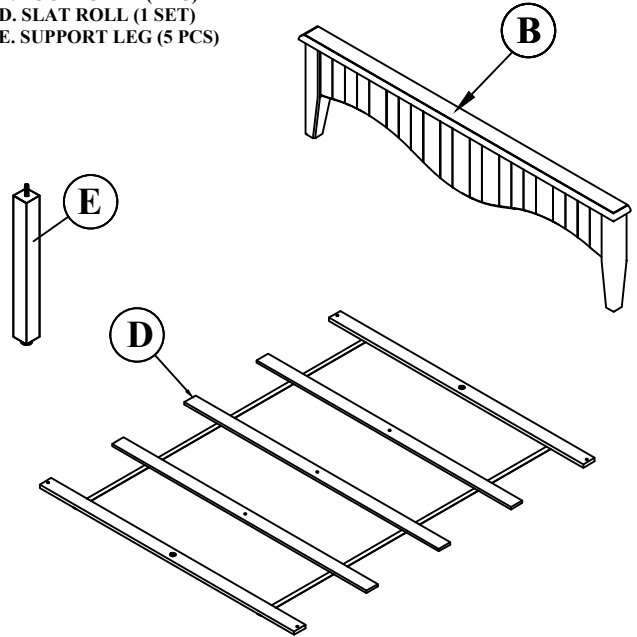
### BOX #1

A. HEADBOARD (1 PC)



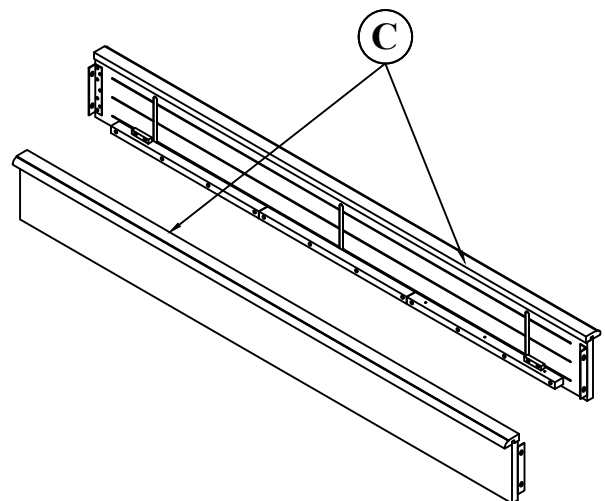
### BOX #2

B. FOOTBOARD (1 PC)  
D. SLAT ROLL (1 SET)  
E. SUPPORT LEG (5 PCS)



### BOX #3

C. SIDE RAIL (2 PCS)



#### HARDWARE PACKED IN BOX 2

No.		Photo	Quantity
1	Allen Bolt (M8X30)		8 PCS
2	Spring washer (M8)		8 PCS
3	Flat washer (M8)		8 PCS
4	Allen Key		1 PCS
5	Wood Screw (M4X30)		4 PCS

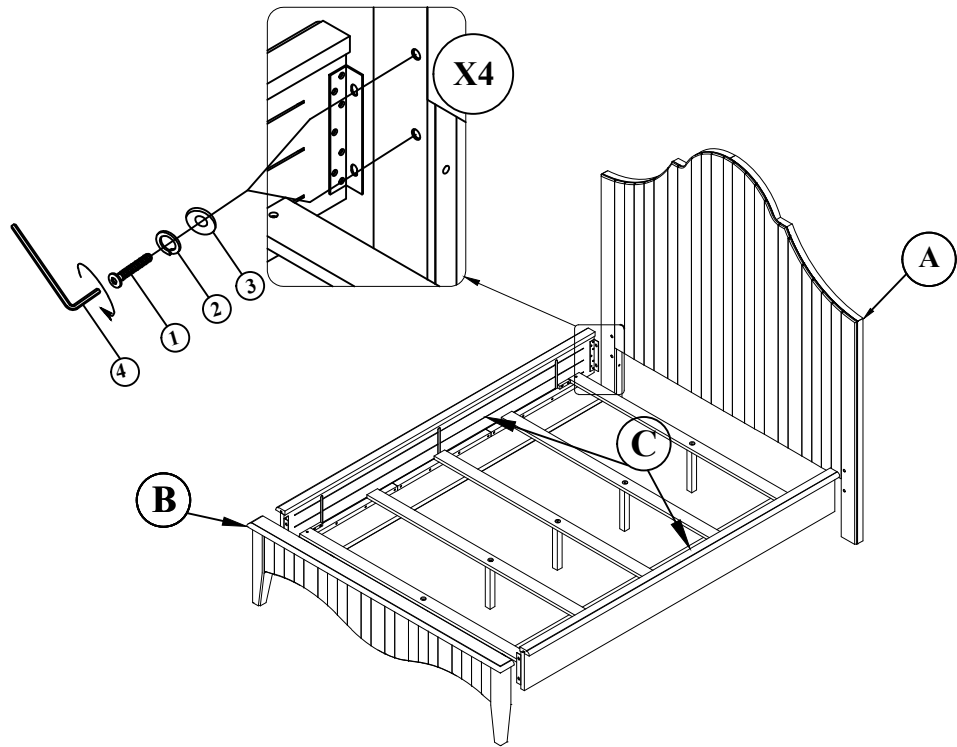
TOOL REQUIRED  
PHILLIPS-HEAD SCREWDRIVER (NOT PROVIDED)



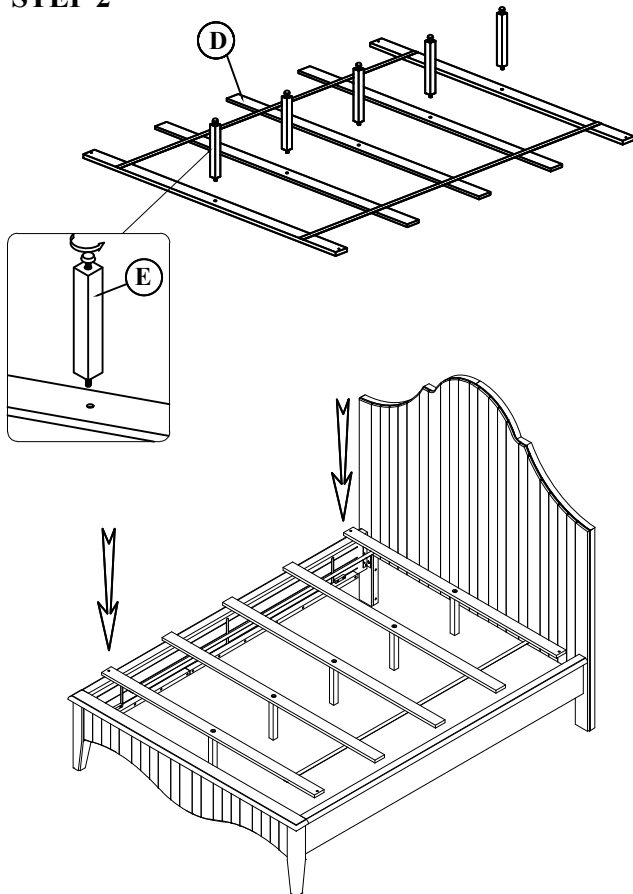
# ELLA FULL / QUEEN ASSEMBLY INSTRUCTIONS



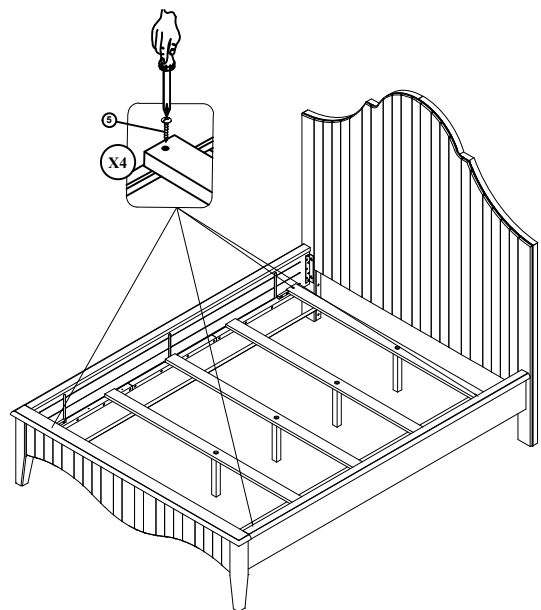
## STEP 1



## STEP 2



## STEP 3



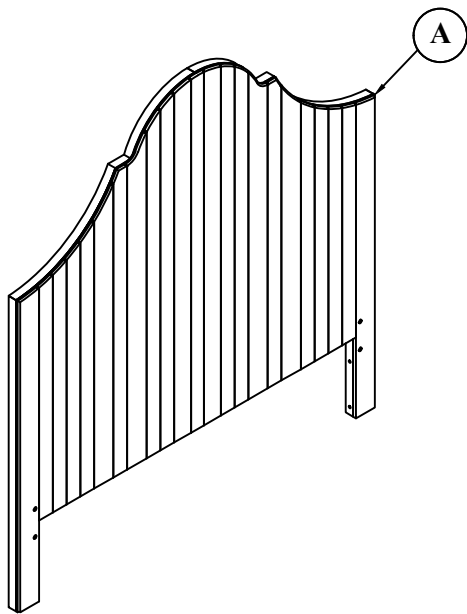
# ELLA CALKING / KING ASSEMBLY INSTRUCTIONS



## PARTS PACKING CONFIGURATIONS

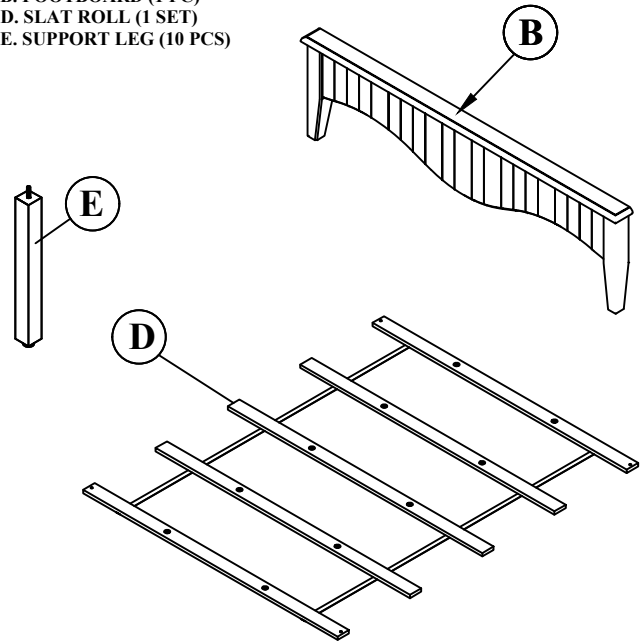
### BOX #1

A. HEADBOARD (1 PC)



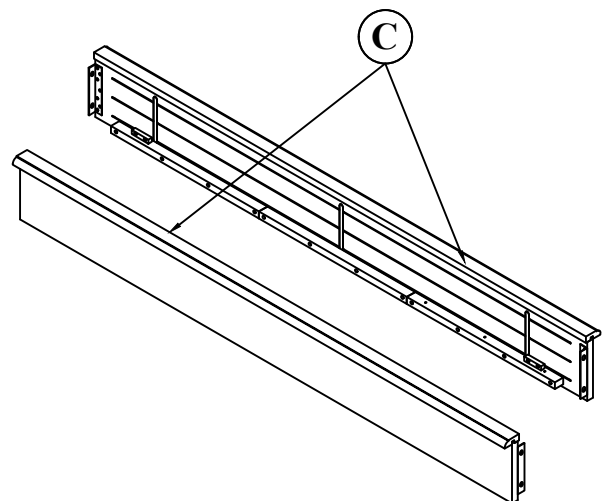
### BOX #2

B. FOOTBOARD (1 PC)  
D. SLAT ROLL (1 SET)  
E. SUPPORT LEG (10 PCS)



### BOX #3

C. SIDE RAIL (2 PCS)



#### HARDWARE PACKED IN BOX 2

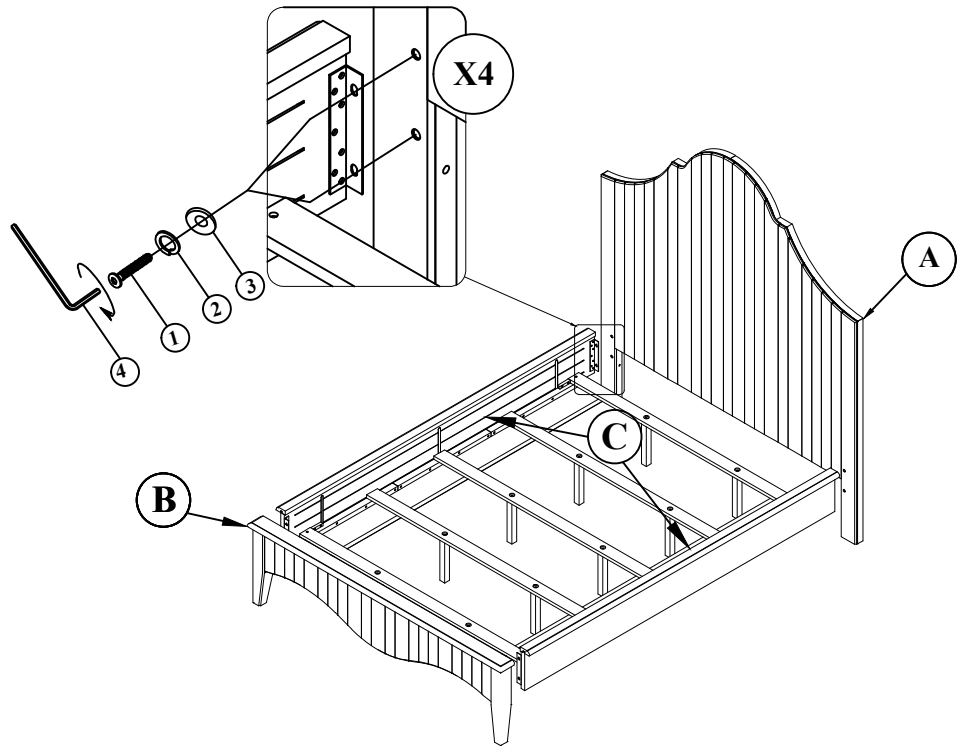
No.		Photo	Quantity
1	Allen Bolt (M8X30)		8 PCS
2	Spring washer (M8)		8 PCS
3	Flat washer (M8)		8 PCS
4	Allen Key		1 PCS
5	Wood Screw (M4X30)		4 PCS

TOOL REQUIRED  
PHILLIPS-HEAD SCREWDRIVER (NOT PROVIDED)

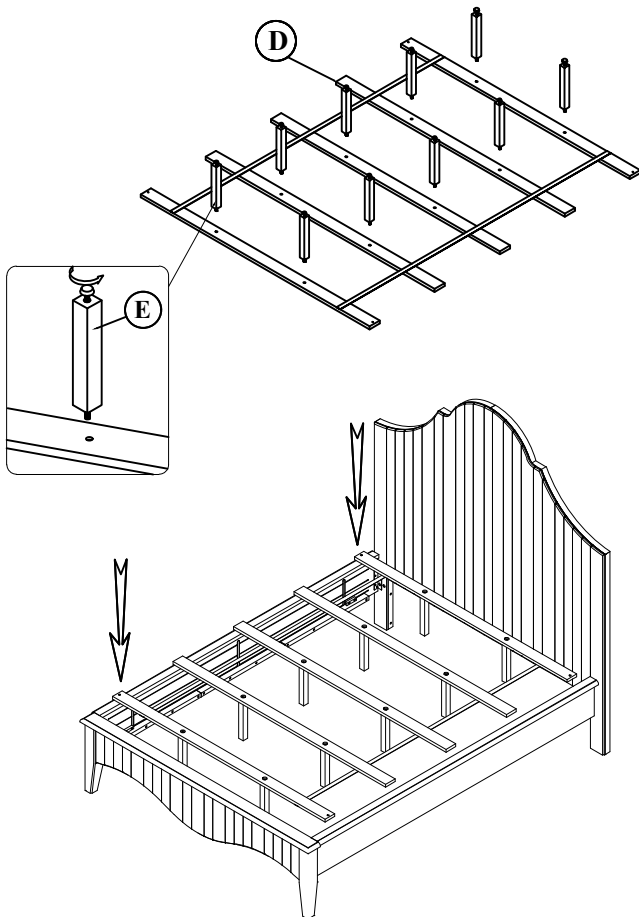
# ELLA CALKING / KING ASSEMBLY INSTRUCTIONS



## STEP 1



## STEP 2



## STEP 3

