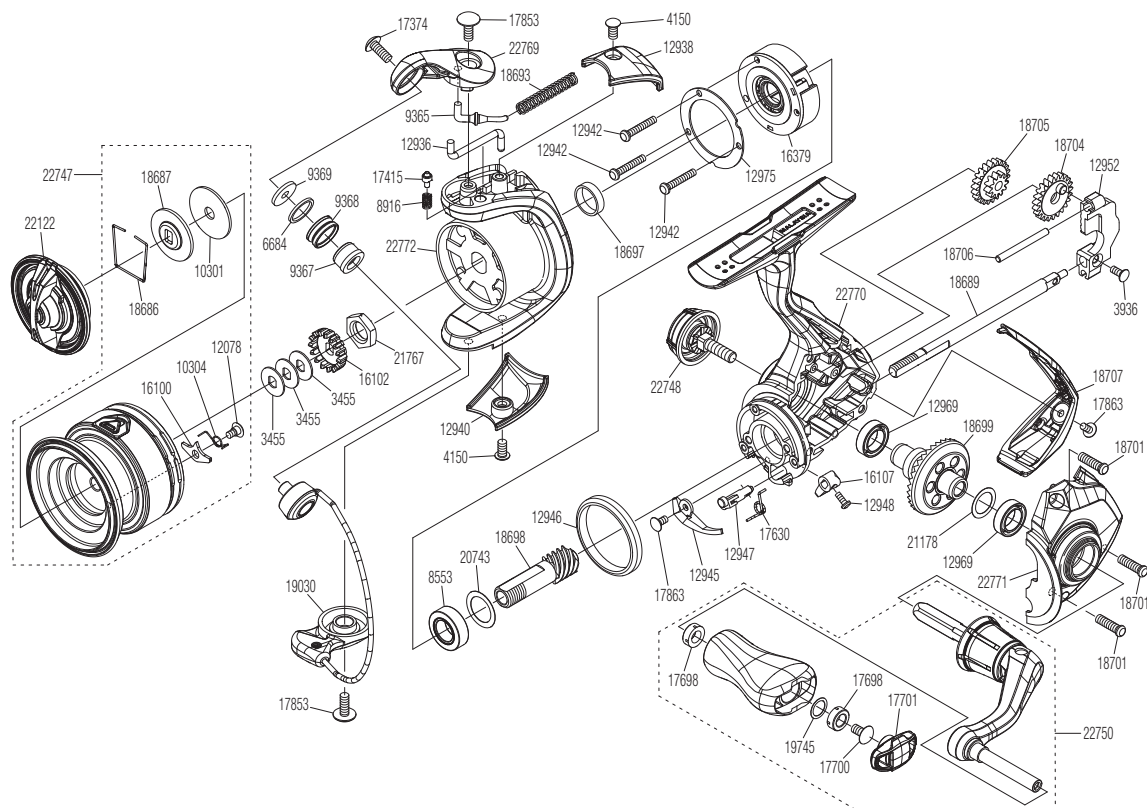


SHIMANO

SEDONA

SE-500



(51SB501A05X) Please note that the number of adjusting washers may not be the same as shown in the exploded views.
(Adjustment will vary with each individual product.)

#	Part No.	Description	#	Part No.	Description	#	Part No.	Description
3455	10BXN	Spool Washer	16100	10BWZ	Drag Click	19030	100AU	Bail Assembly
3936	10MGL	Screw	16102	103MX	Spool Support	19745	104FH	Washer
4150	103KS	Screw	16107	10FPW	Anti Reverse Lever	20743	10HHQ	Washer
6684	10KFD	Spacer	16379	10QPH	Roller Clutch Assembly	21178	10EEZ	Washer
8553	107AT	Ball Bearing	17374	10K90	Screw	21767	10RXE	Rotor Nut
8916	10CH0	Click Spring	17415	106ZC	Click Pin	22122	10T99	Drag Knob Assembly
9365	105LS	Bail Spring Guide A	17630	10DCS	Anti Reverse Cam Spring	22747	13YW8	Spool Assembly
9367	10PFE	Bushing	17698	10PXZ	Bushing	22748	13YW9	Handle Screw Cap Assembly
9368	10JLF	Line Roller	17700	10LFA	Screw	22750	13YWB	Handle Assembly
9369	10PFP	Washer	17701	10TNJ	Handle Knob Seal			
10301	10N56	Drag Washer	17853	10LFH	Screw	22769	1329D	Bail Arm
10304	10JX8	Drag Click Spring	17863	10LCS	Screw	22770	1329E	Body
12078	10PH4	Screw	18686	10MZN	Retainer	22771	1329F	Side Cover
12936	10FAZ	Bail Trip Lever	18687	10S0W	Key Washer	22772	1329Q	Rotor Assembly
12938	10CT3	Bail Spring Cover	18689	10S0V	Main Shaft			
12940	107WM	Bail Hold Support Guard	18693	10SQ8	Bail Spring			
12942	10L1Z	Screw	18697	10HB7	Rotor Ring			
12945	10D8Z	Bail Trip Strike	18698	10QWG	Pinion Gear			
12946	10D7P	Friction Ring	18699	1000R	Drive Gear Assembly			
12947	10DC5	Anti Reverse Cam	18701	1000N	Screw			
12948	10L1N	Screw	18704	10QWF	Oscillating Gear			
12952	104WG	Oscillating Slider	18705	10QWJ	Idle Gear			
12969	107FA	Ball Bearing	18706	10QWH	Oscillating Guide			
12975	10AEX	Roller Clutch Reinforce	18707	10SGA	Rear Protector			