



Model(s)_Z81000-XL

AquaSpec® Single Control Faucet

TAG

Architectural/Engineering Specification:

Polished chrome plated cast brass 4" centerset single control lavatory faucet, a ceramic disc cartridge and a temperature limit stop. Unit is furnished with standard 2.2 GPM aerator, an ADA compliant lever handle, mounting hardware, 1/2" NPSM coupling nuts for standard lavatory risers, and pop-up hole plugged.

Zurn Lead Free products (-XL) is the line of durable, high quality brass faucets and fixtures that are designed and manufactured to comply with Section 1417 of the Safe Drinking Water Act (SDWA) which mandates the weighted average lead content of no more than 0.25% of the wetted surface.

PRODUCT FEATURES:

- Ceramic Disc Cartridge
- Chrome-plated Cast Brass Body
- ADA Compliant, Single Control Lever Handle
- 1/2" NPSM coupling nuts for standard lavatory risers

SUFFIX OPTIONS:

-G	1-1/4" [32mm] Grid Strainer Drain
-P	1-1/4" [32mm] Pop-up Drain

AERATOR OPTIONS:

Suffix	Flowrate GPM [L]	Vandal-Resistant	WaterSense* Labeled	Pressure Compensating	Outlet Type
-7M	1.0 GPM [3.8L]		x	x	Spray
-26M	0.5 GPM [1.9L]				Spray
-18M	1.5 GPM [5.7L]	x	x	x	Laminar
-17M	1.5 GPM [5.7L]	x	x	x	Aerator
-16M	1.0 GPM [3.8L]	x		x	Spray
-22M	1.0 GPM [3.8L]	x			Laminar
-2M	2.2 GPM [8.3L]	x			Aerator
-3M	0.5 GPM [1.9L]	x			Spray
-4M	2.2 GPM [8.3L]	x			Laminar
-25M	0.35 GPM [1.3L]	x		x	Spray
-27M	0.5 GPM [1.9L]				Laminar
-28M	0.5 GPM [1.9L]	x			Laminar



Product Compliance:

ADA
ASME A112.18.1/CSA B125.1
CEC
CSA B125.1
IPC
NSF 61
NSF 372
WaterSense

*Complies with ADA & ICC A117.1 accessibility requirements when installed according to the requirements outlined in these standards.



*This product should be used with a WaterSense labeled counterpart with a compatible flow volume to ensure that the entire system meets the requirements for water efficiency and performance.

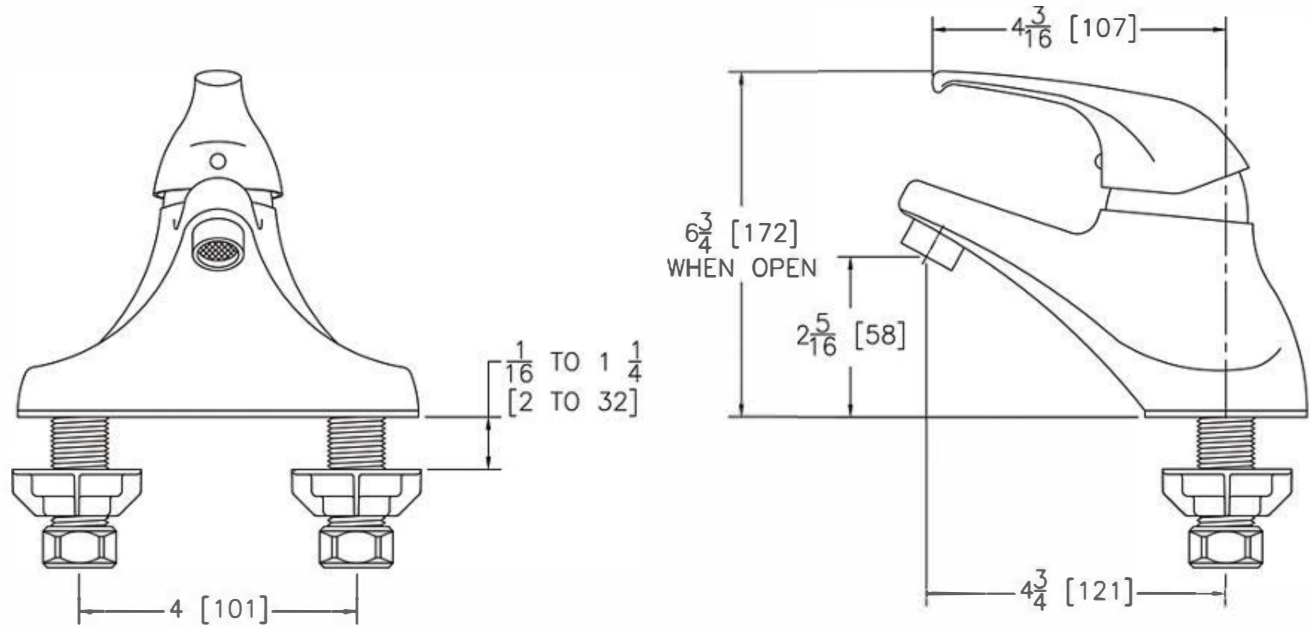
*Although products with certain combinations of options and features will meet or comply with these standards and/or certifications, not every combination of options and features will result in such compliance. If you have any questions about your particular product, please contact our Customer Care Dept. at 1-855-ONE-ZURN (United States) or 1-877-892-5216 (Canada) for confirmation.

[Installation Guide - CF1199.pdf](#)

Architectural/Engineering Approval

Design and dimensional data (inches and [mm]) are subject to manufacturing tolerances and change without notice.

⚠ WARNING: Cancer and Reproductive Harm - www.P65warnings.ca.gov
 ⚠ ADVERTENCIA: Cáncer y daño reproductivo - www.P65warnings.ca.gov
 ⚠ AVERTISSEMENT: Cancer et effets néfastes sur la reproduction - www.P65warnings.ca.gov



NOTE: All dimensions are for reference only. Do not use for pre-plumbing.