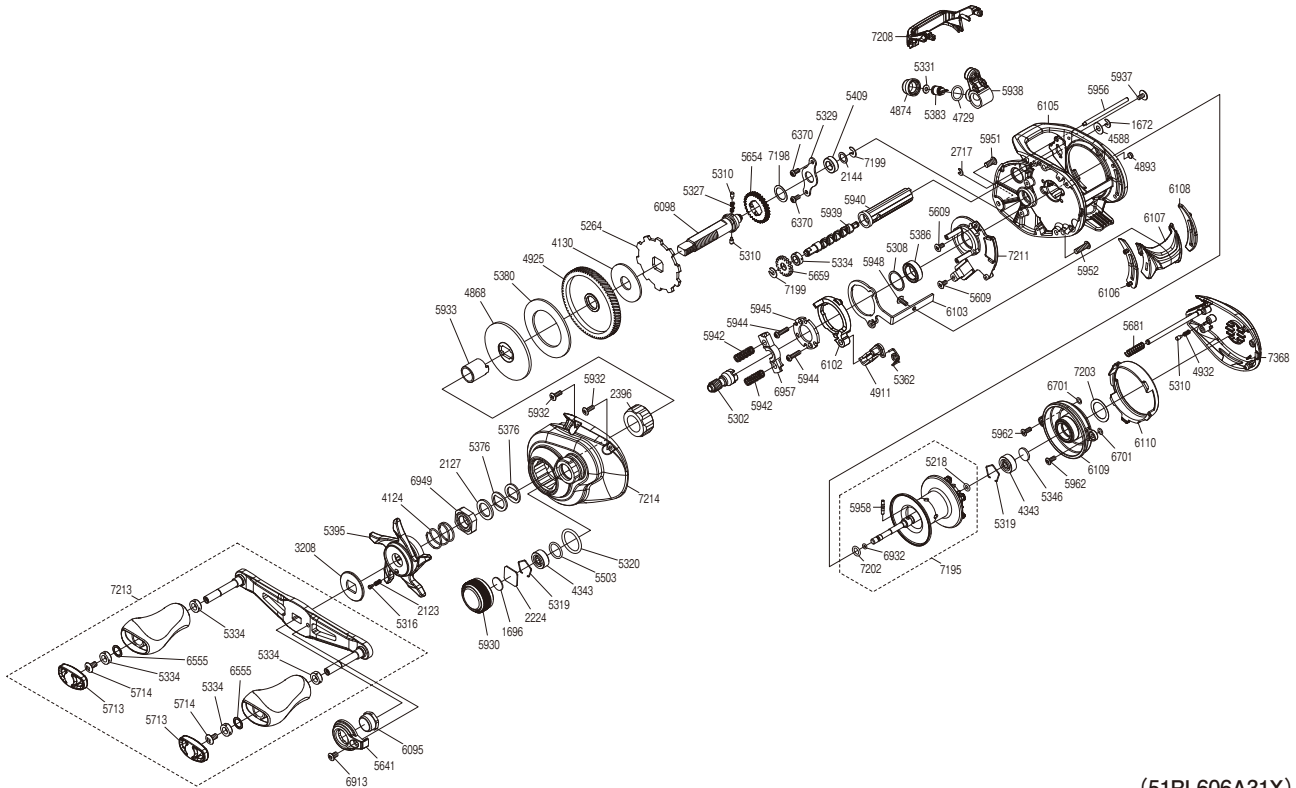


# SHIMANO

## SLX

## SLX151HGA



(51RL606A31X)

#	Part No.	Description	#	Part No.	Description	#	Part No.	Description
1672	105NC	E Lock	5334	10PXZ	Bushing	5958	10P67	Spool Clutch Pin
1696	10896	Cast Control Spacer B	5346	10EX5	Spacer	5962	100UL	Screw
2123	10BT2	Click Spring	5362	10TMC	Clutch Pawl Spring	6095	10049	Handle Nut
2127	10J1N	Star Drag Spacer	5376	109F5	Drag Spring Washer	6098	100VZ	Drive Shaft
2144	10C47	Drive Shaft Washer	5380	10R3D	Drag Washer C	6102	100W0	Clutch Cam
2224	1085F	Cast Control Spacer A	5383	10BHQ	Line Guide Pawl	6103	100W5	Clutch Plate
2396	10F5C	Roller Clutch Bearing	5386	10EX6	Ball Bearing	6105	10TF8	Frame
2717	105NB	E Lock	5395	10R0H	Star Drag	6106	10TFB	Clutch Bar Guide B
3208	10J22	Star Drag Click Plate	5409	10DQF	Drive Shaft Bushing	6107	10TF9	Clutch Button
4124	10A70	Star Drag Spring	5503	101GT	O Ring	6108	100W3	Clutch Bar Guide A
4130	10CHX	Drag Washer A	5609	10LCT	Screw	6109	100FB	Dial Case
4343	105C3	Ball Bearing	5641	10SSK	Handle Nut Plate	6110	100W2	Right Side Plate Cam Lever
4588	10FJZ	Washer	5654	101K8	Idle Gear A	6370	10E23	Screw
4729	108WQ	O Ring	5659	10SRL	Idle Gear C	6555	104FH	Washer
4868	10D3H	Key Washer	5681	10KNH	Spring	6701	10CFU	Spacer
4874	10FJB	Pawl Cap	5713	10SS2	Handle Knob Seal	6913	10DV5	Screw
4893	108PY	Washer	5714	10LFA	Screw	6932	100BH	O Ring
4911	10MQM	Clutch Pawl Assembly	5930	10TZQ	Cast Control Cap	6949	10A3U	Star Drag Nut
4925	10CME	Drive Gear	5932	10LCY	Screw	6957	1001Q	Yoke
4932	10GQZ	Click Spring	5933	100UC	Roller Clutch Inner Tube	7195	13XF9	Spool Assembly
5218	10E27	O Ring	5937	100U4	Screw	7198	10GR3	Washer
5264	10D73	Anti-Reverse Ratchet	5938	10DUG	Line Guide Assembly	7199	105NK	E Lock
5302	10CSD	Pinion Gear	5939	100U6	Worm Shaft	7202	10TM7	O Ring
5308	10190	Washer	5940	100UF	Level Wind Guard	7203	13XEV	Washer
5310	10HJG	Idle Gear Pin	5942	100U9	Yoke Spring	7208	13XF0	Level Wind Protector
5316	10MFC	Click Pin	5944	10LV0	Screw	7211	13XEX	Clutch Guard
5319	1054D	Bearing Retainer	5945	100US	Clutch Cam Retainer	7213	13XEU	Handle Assembly
5320	10R22	O Ring	5948	10LF4	Screw	7214	13XET	Left Side Plate
5327	10JDY	Idle Gear Spring	5951	100UU	Screw	7368	13ZPK	Right Side Plate
5329	109T1	Drive Shaft Retainer	5952	100UV	Screw			
5331	104TX	Spacer	5956	100UT	Stabilizer Bar			

Please note that the number of adjusting washers may not be the same as shown in the exploded views.  
(Adjustment will vary with each individual product.)

(230706)\_005