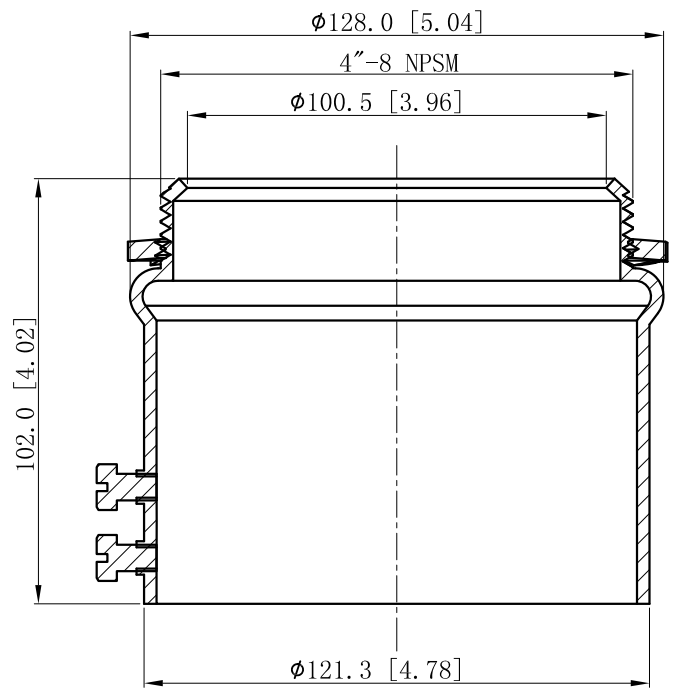
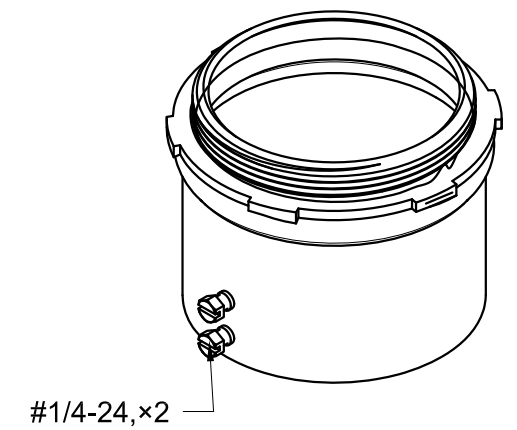
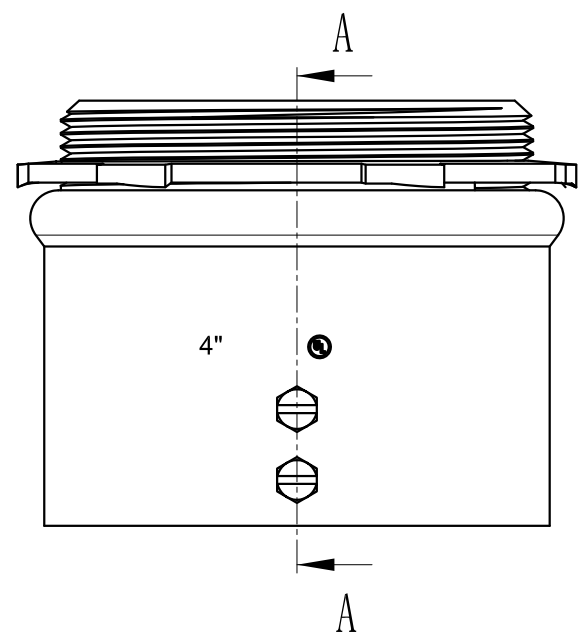


SIDES	BOTTOM
2 pcs #1/4-24×3/8 Screws Installed	
Material:Steel-Welding tube, zinc plated	



CUTAWAY VIEW A-A



DESCRIPTION
TRADE REFERENCE TERMS

This data sheet is for reference only .GARVIN INDUSTRIES reserves the right to make changes to the design without prior notice.

STANDARD PACKING	<h1 style="text-align: center;">GARVIN INDUSTRIES</h1> <h2 style="text-align: center;">STEEL EMT SET SCREW CONNECTORS</h2>		
5 PCS			
SIZE	DWG NO.	REV	
A4	SSCN-400		
DATA SHEET			