



Thank you for purchasing Leick Furniture products.  
Contact customer service for comments or concerns.

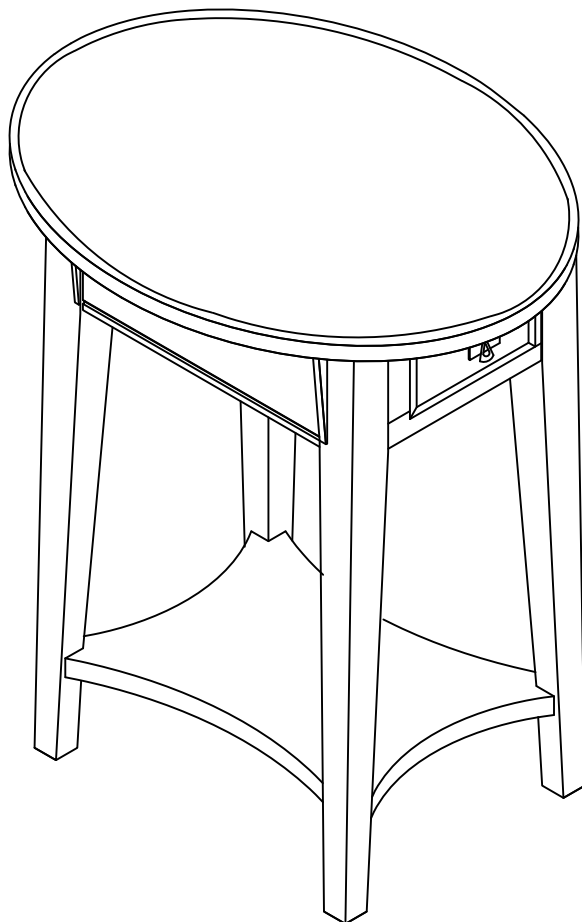
Sheboygan, WI

920-451-4060

info@leickfurnituresince1910.com

www.leickfurnituresince1910.com

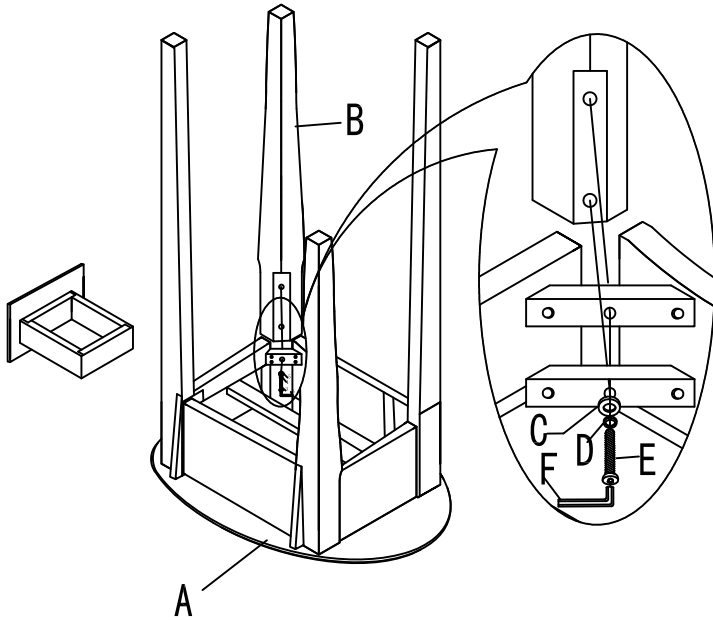
# Assembly Instructions, #9056 Anyplace Side Table



A: Top Assembly	
B: (4) Legs	
C: (8) Flat washers	
D: (8) Lock washers	
E: (8) Bolts	
F: Allen Wrench	
G: Shelf	
H: (4) Shelf Supports	
I : (2) Extra Drawer Glides	

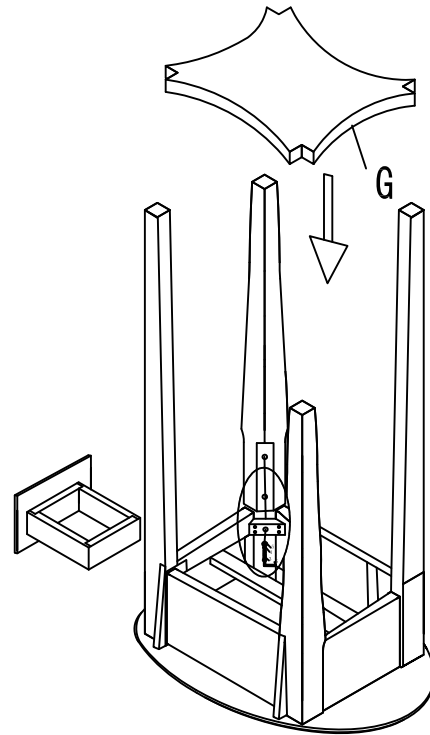
### Step 1

Remove drawer and place the top assembly upside down. Tighten the legs with (E, D, and C) parts. Make sure the leg corbels are facing the right direction as shown in the following picture before attaching the legs.



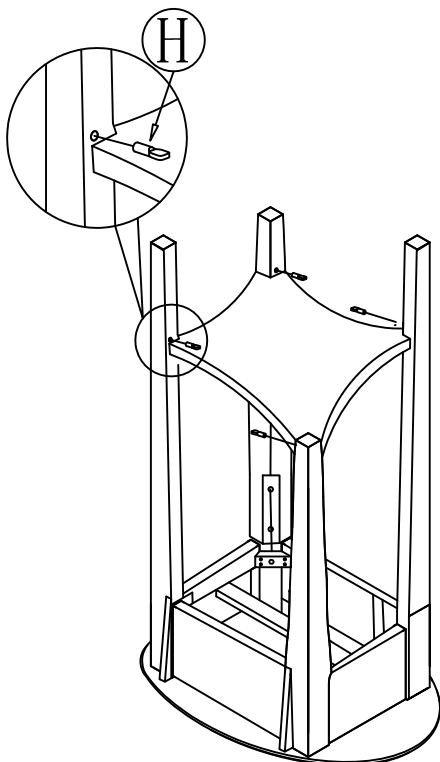
### Step 2

Put the shelf upside down on legs until below the leg shelf holes.



### Step 3

Insert the shelf supports into the holes.



### Step 4

Put the table right side up. Tap the shelf to the shelf supports and put the drawer back into the table.

