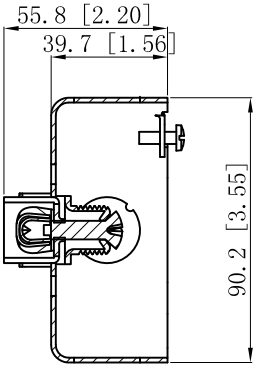
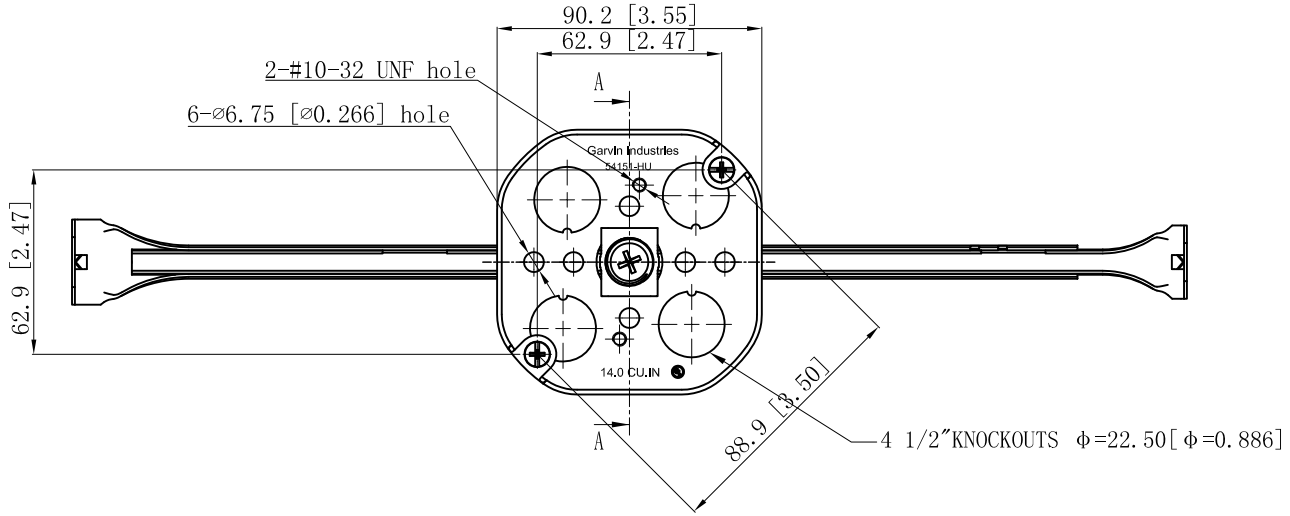
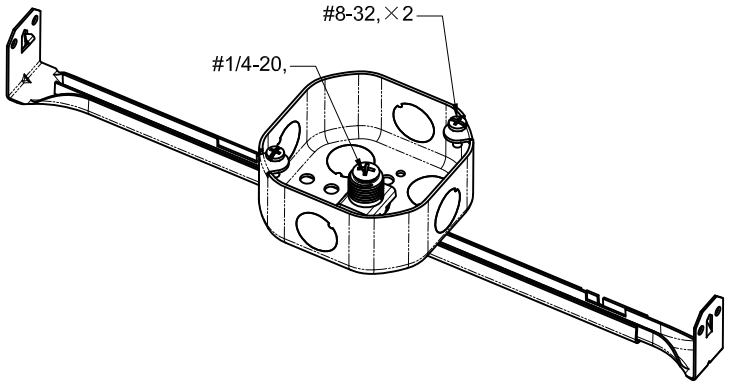
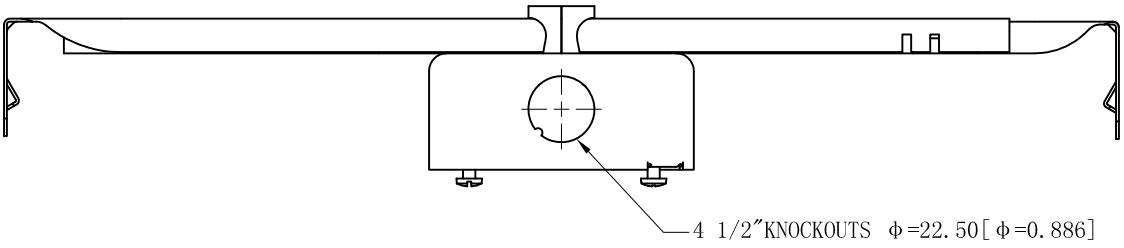


SIDES	BOTTOM
2 PCS 8-32×1/2 Screws Installed	
1 PCS #1/4-20×7/8 Screws Installed	
Material:Steel-0.0625"-G60 Galvanized	



CUTAWAY VIEW A-A

This data sheet is for reference only. GARVIN INDUSTRIES reserves the right to make changes to the design without prior notice.

DESCRIPTION
TRADE REFERENCE TERMS

STANDARD PACKING
25 PCS

<b>GARVIN INDUSTRIES</b>		
TITLE <b>4" OCTAGON BOXES 1-1/2" DEEP</b>		
SIZE A4	DWG NO. 54151-HU	REV A
DATA SHEET		
www.garvinindustries.com		