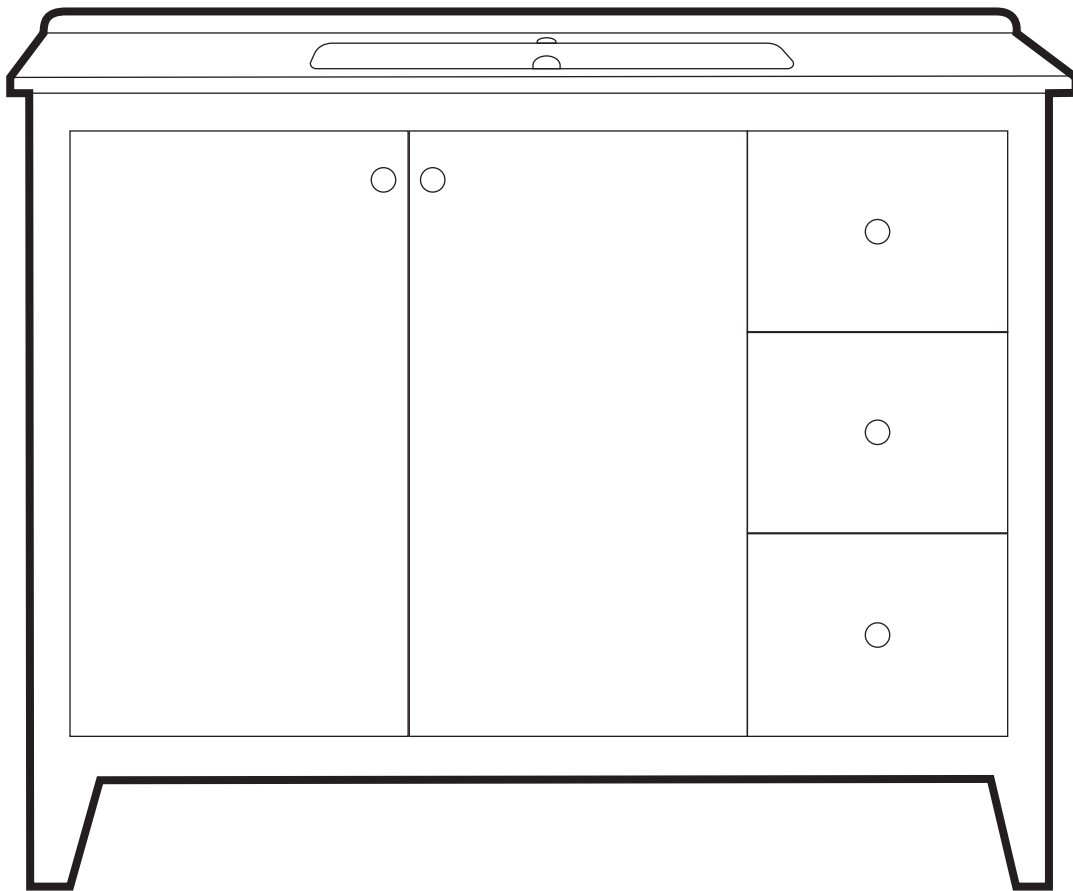


Freestanding Vanity

INSTALLATION INSTRUCTIONS





PRIOR TO INSTALLATION:

- Inspect product to ensure no damages have occurred while in shipping.
- Observe all plumbing and building codes in accordance with your state and local requirements.
- Floor must be level prior to installation of vanity.
- All dimensions are nominal! Be sure to measure your vanity prior to installation.
- The step-by-step guidelines in the installation instructions are a general reference. Should there be any discrepancies, Swiss Madison cannot be held liable. It is recommended to install all Swiss Madison products by hiring a licensed professional.
- Read installation and maintenance instructions thoroughly before installing. Be sure to use proper tools and always wear proper personal safety accessories for your protection.

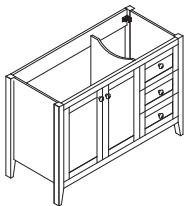
QUESTIONS OR CONCERNS?

Please contact us:

1-434-623-4766

info@swissmadison.com

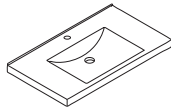
INCLUDED PARTS:



Vanity Base



Hardware

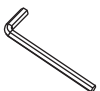


Vanity Sink

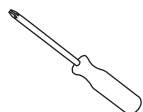
SUGGESTED TOOLS & MATERIALS:



Safety Glasses



Allen Wrench



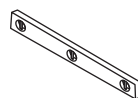
Screwdrivers



Silicone



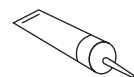
Drop Cloth



Level



Gloves



Adhesive

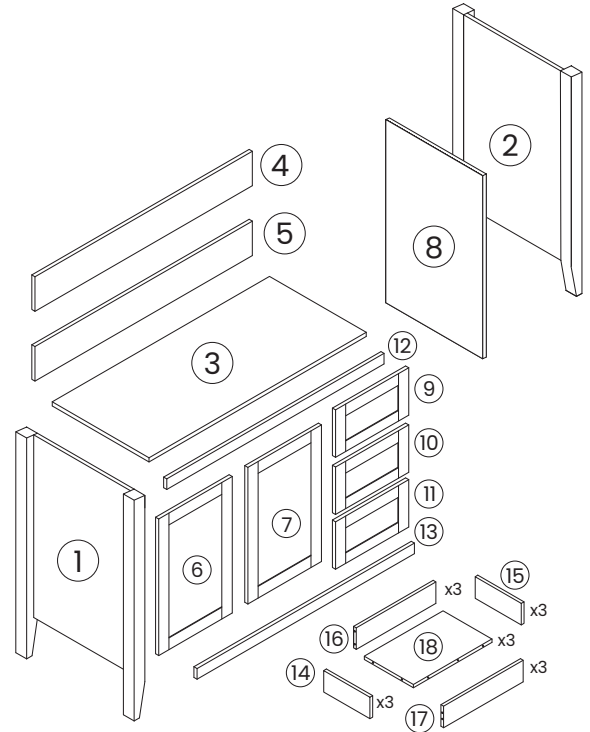
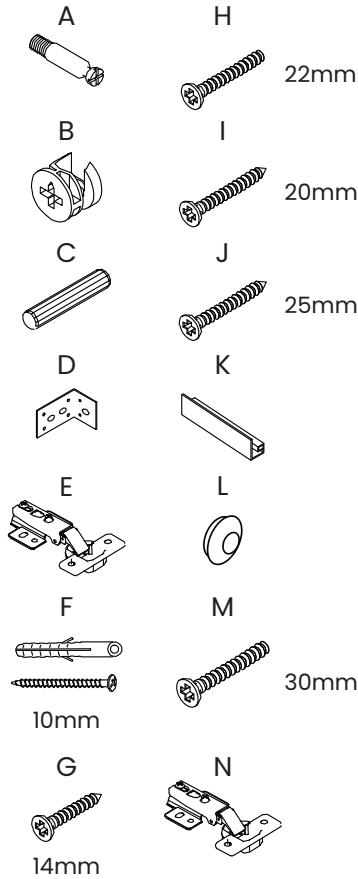


Drill

Parts for Reference:

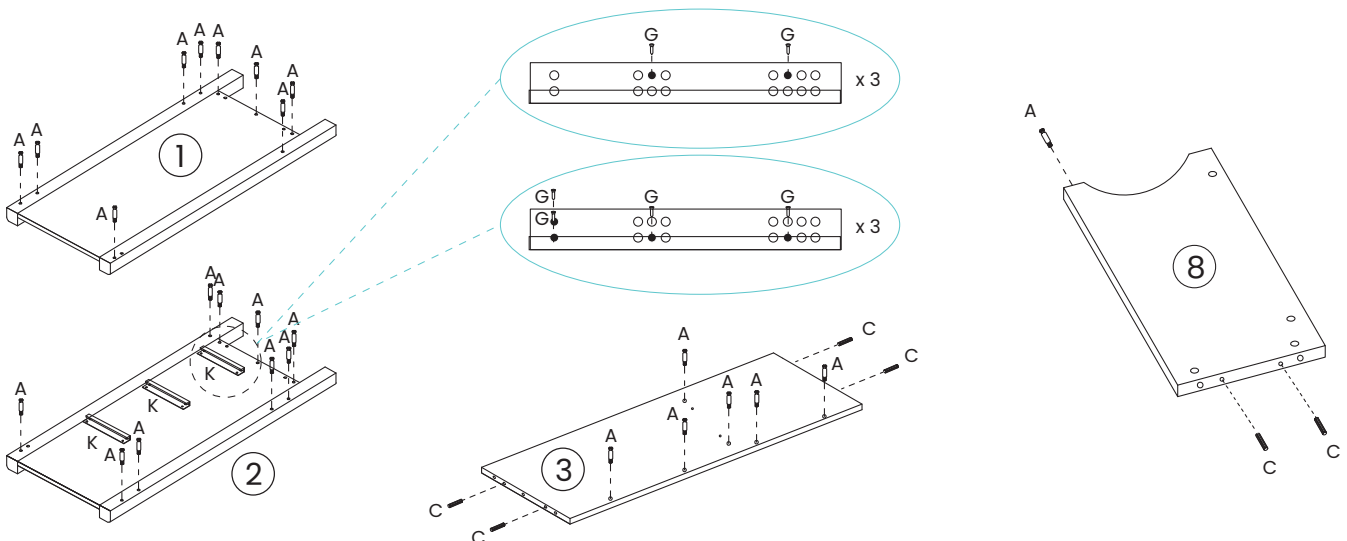
1. Left side panel
2. Right side panel
3. Bottom panel
4. Rear top bar
5. Rear bottom bar
6. Left door
7. Right door
8. Middle panel
9. Top drawer surface
10. Middle drawer surface
11. Bottom drawer surface
12. Front top bar
13. Front bottom bar
14. Drawer left side panel
15. Drawer right side panel
16. Drawer back panel
17. Drawer front panel
18. Drawer bottom panel

- A. Cam bolt
- B. Cam lock
- C. Wooden dowel
- D. Metal bracket
- E. Hinge
- F. Screw (10mm) & plastic anchor
- G. Screw (14mm)
- H. Screw for handle (22mm)
- I. Screw for drawer (20mm)
- J. Screw for drawer (25mm)
- K. Undermount slide
- L. Handle
- M. Screw for handle (30mm)
- N. Hinge



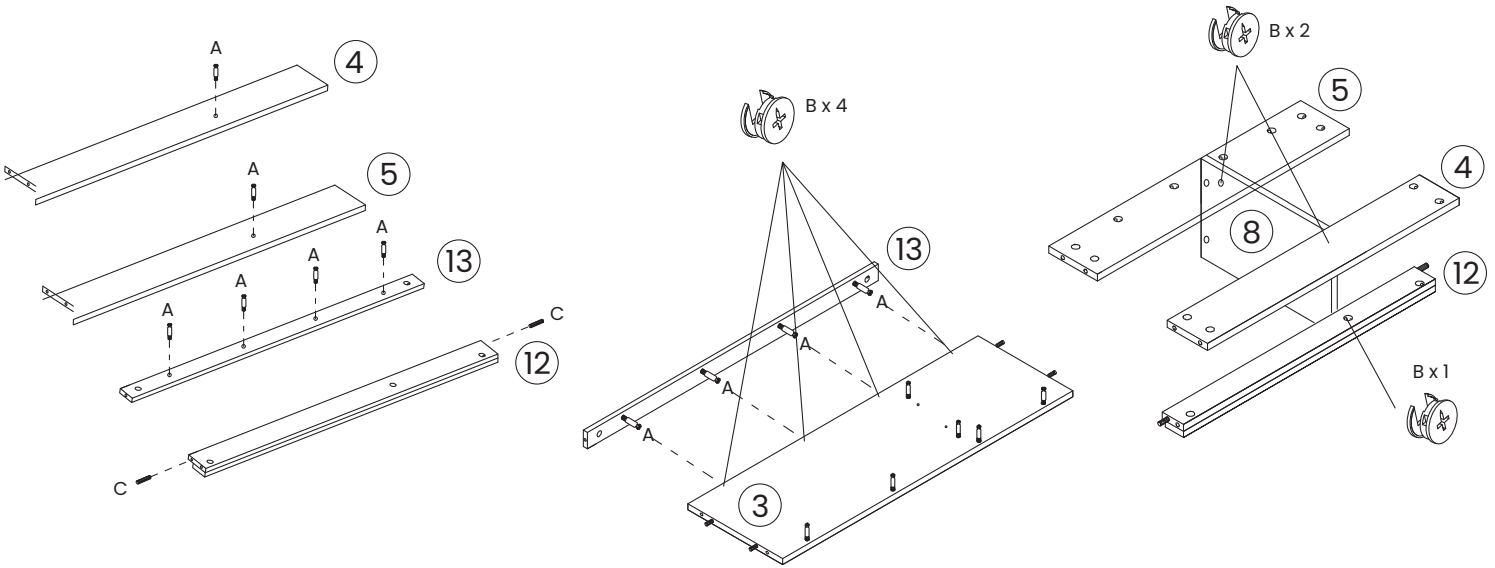
1 Install Side Panel Slides

- Screw 9 cam bolts (A) into the left side panel (1). Repeat for the right side panel (2).
- Install 3 undermount slides (K) to the right side panel (2) using 2 screws (G) per slide. For additional reinforcement, drill an additional 4 screws (G) per slide as shown.
- Insert 6 cam bolts (A) and 4 wooden dowels into the bottom panel (3).
- Insert 1 cam bolt (A) and 2 wooden dowels (C) into the middle panel (8).



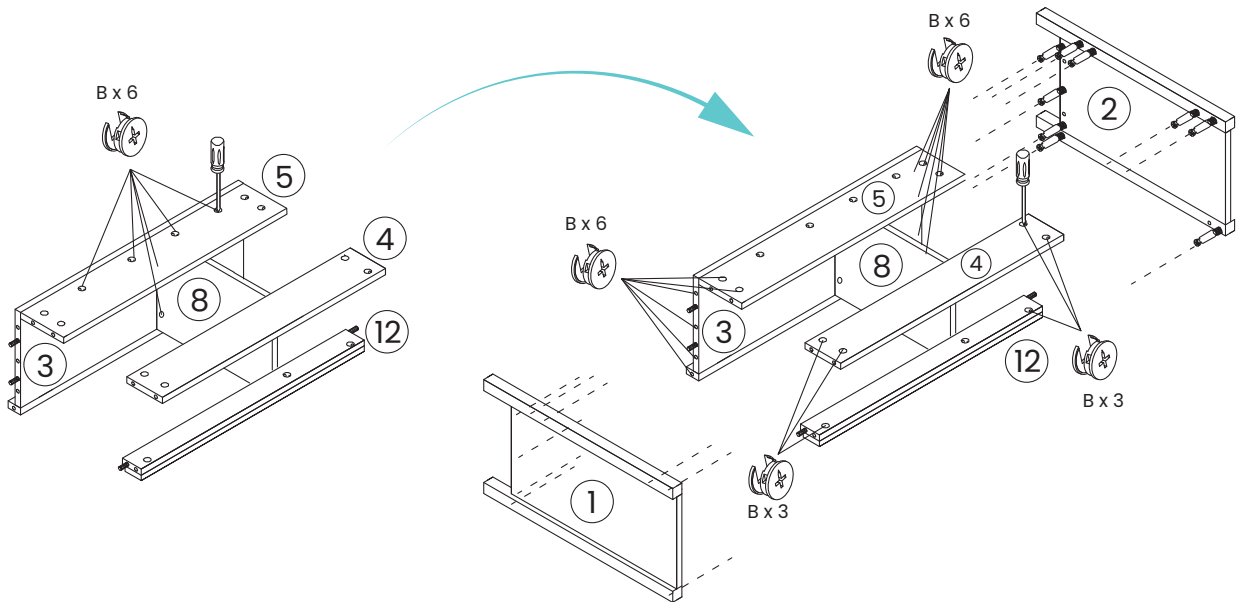
2 Assemble Frame

- Insert 1 cam bolt (A) into the rear top bar (4). Repeat for the rear bottom bar (5).
- Insert 4 cam bolts (A) into the front bottom bar (13).
- Insert 2 wooden dowels (C) into the front top bar (12).
- Connect the front bottom bar (13) and bottom panel (3), secure with 4 cam locks (B).
- Connect the rear bottom bar (5), rear top bar (4), and front top bar (12) with the middle panel (8). Secure with 3 cam locks (B).



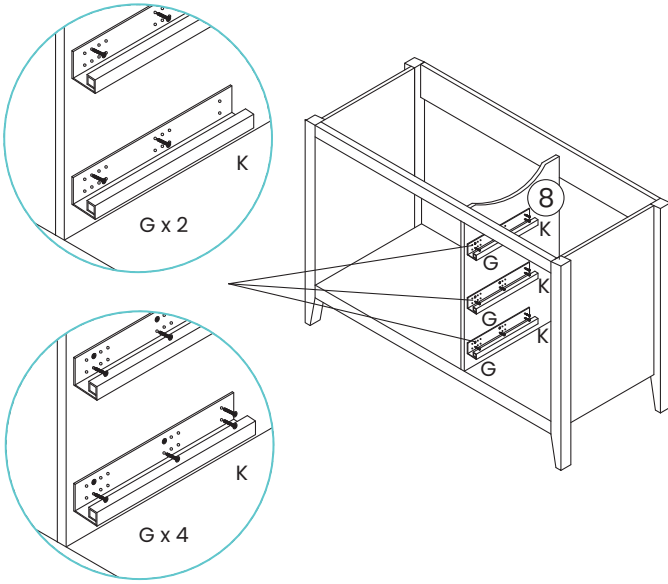
3 Assemble Base

- Connect the bottom panel (3) to the middle panel (8) and rear bottom bar (5) as shown. Secure with 6 cam locks (B).
- Connect the side panels (1 & 2) to the main body. Secure with 18 cam locks (B).



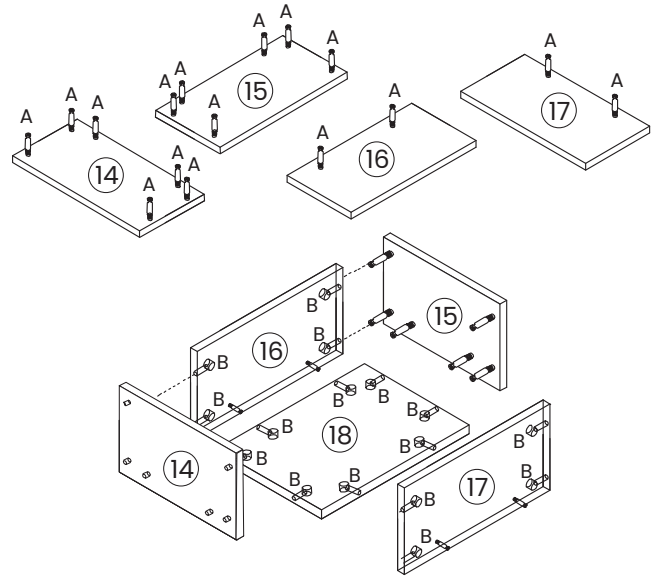
4 Install Middle Panel Slides

- Attach 3 undermount slides (K) to the middle panel (8) using 2 screws (G) each as shown.
- Reinforce this connection with an additional 4 screws (G) per each slide shown.



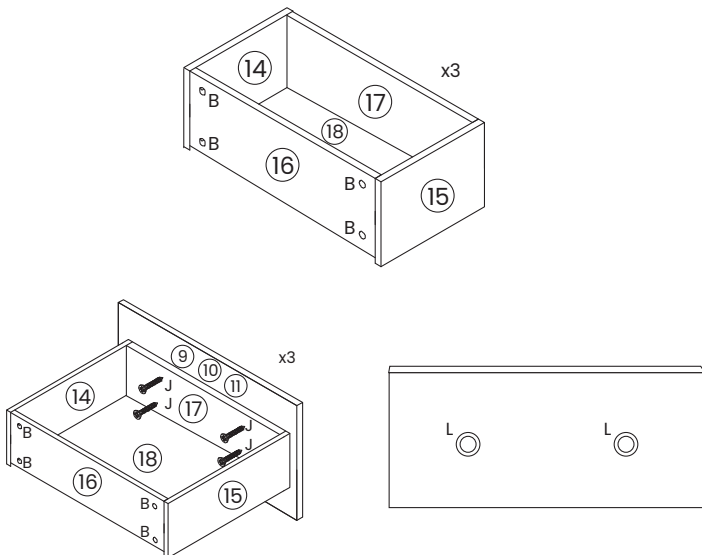
5 Assemble Drawer Base

- Screw 6 cam bolts (A) into pre-threaded holes on the drawer left side panel (14). Repeat for the drawer right side panel (15).
- Screw 2 cam bolts (A) into the drawer back panel (16). Repeat for the drawer front panel (17).
- Use 16 cam locks (B) to connect and secure all panels in place as shown.



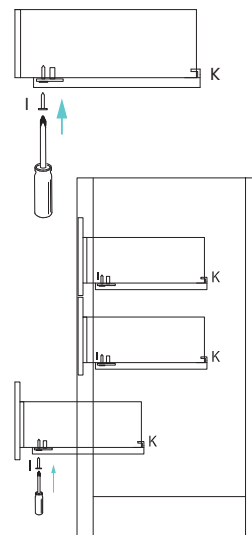
6 Assemble Drawers

- Attach the drawer front panel (17) to the drawer surface (9, 10, 11) with 4 screws (J) as shown.
- Use 2 screws (M) for the handles to attach the drawer handles (L) to the drawer surface (9, 10, 11).



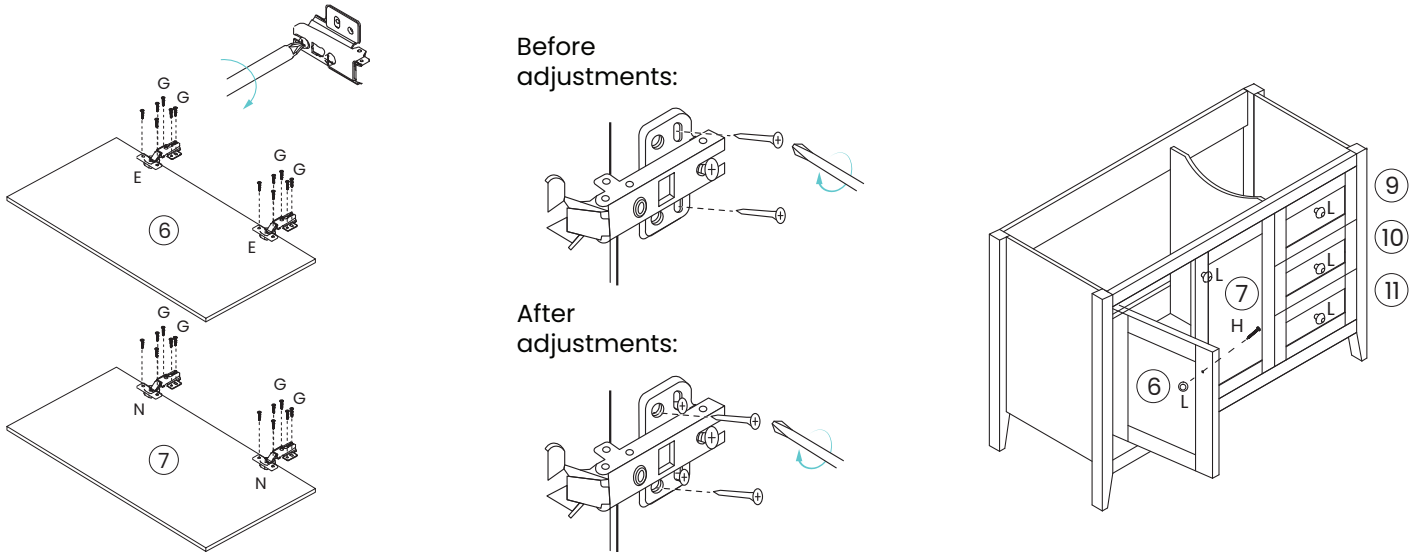
7 Install Drawers

- Attach the 2 undermount slides (K) to the drawer bottom panel (18) with 2 screws (I). Do not tighten screws all the way.
- Insert the hooks of the slides (K) to the back panel of the drawer (16). Tighten the 2 screws (I) on the bottom of the drawer (18) to secure the slides (K). Repeat entire process for all 3 drawers.



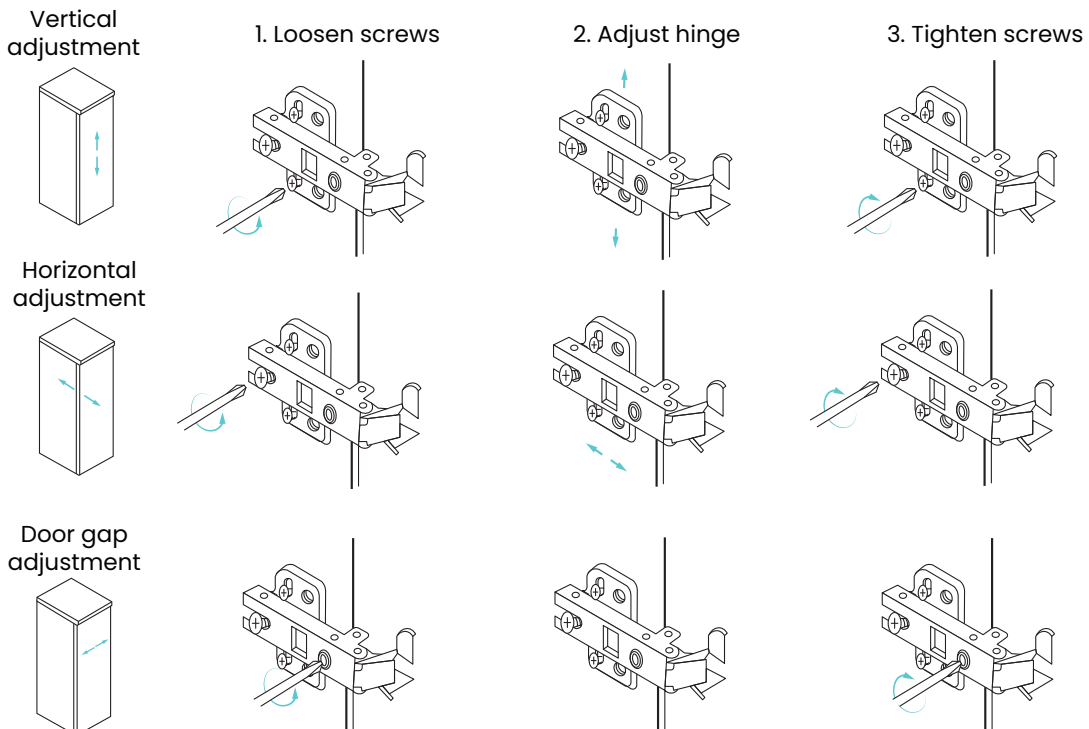
8 Install Doors & Handles

- Install 2 hinges (E) to both the left door (6) and the right door (7) using 2 screws (G) per hinge.
- Use an additional 2 screws per hinge to attach the left door (6) and right door (7) to the cabinet. If the door does not align properly, adjust the hinges according to the diagrams below. Once adjustments have been completed, secure the hinges using 2 screws (G) each.
- Install the handles (L) to the doors using the handle screws (H).



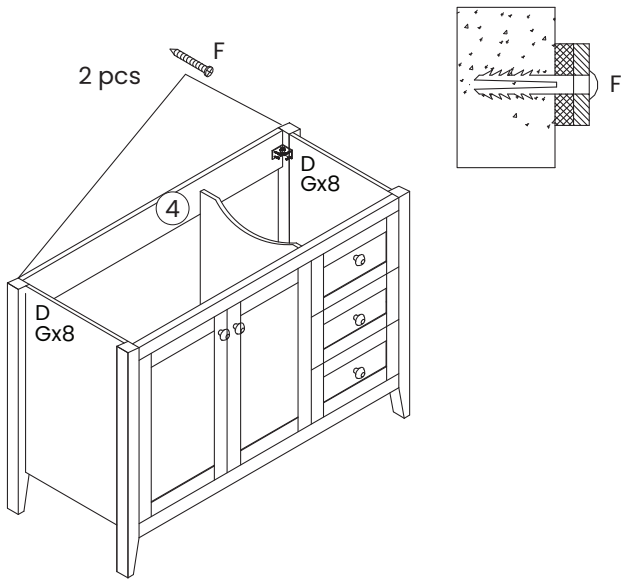
Hinge/Door Adjustment and Realignment

- If adjustment or realignment is needed, follow the instructions provided in the following chart.



9 Secure Vanity to Wall

- Attach 2 metal brackets (D) to the rear top bar (4) using 16 screws (G).
- Mark desired mounting location on wall and ensure placement is level.
- Select installation option 1 or 2.



Option 1: Securing to Drywall

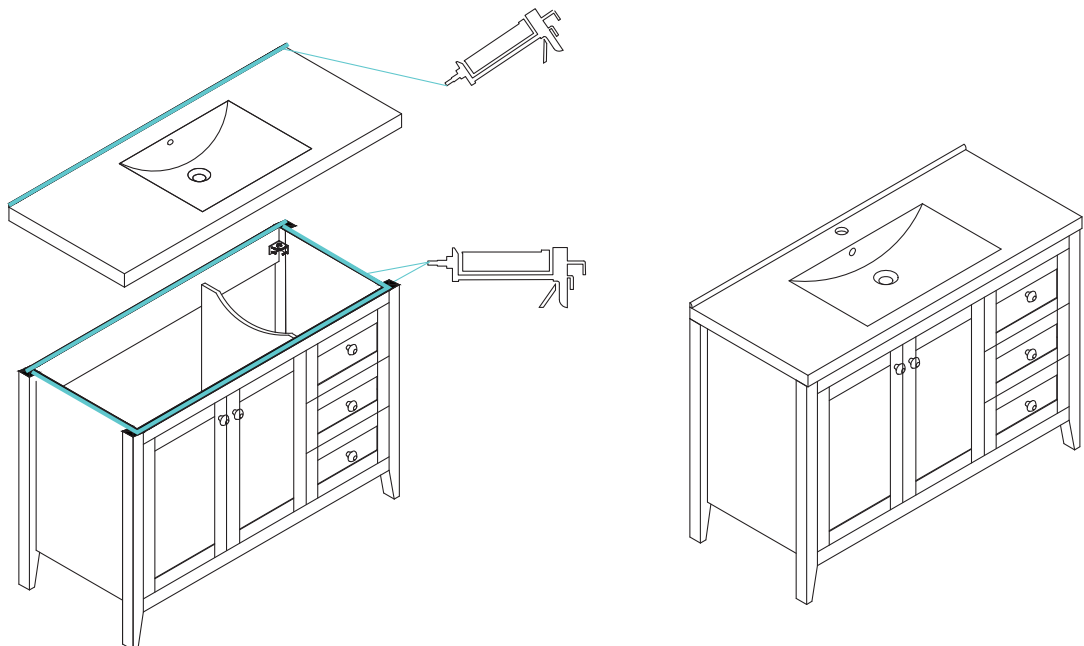
- Position cabinet against wall in desired location.
- Using a pencil, make a mark on the wall through the holes in each bracket (D).
- Move cabinet away from the wall. Create a pilot hole in each mark on the wall, then insert the plastic anchor (F).
- Place cabinet against the wall, insert a screw (F) through the metal bracket (D) into each hole in the wall, then tighten to plastic anchors (F) to secure the vanity.

Option 2: Securing to Drywall & Wood Stud

- Position cabinet against wall in desired location, be sure desired mounting location aligns with existing wood studs.
- Insert screw (F) through the holes in the metal bracket (D), then tighten through the drywall into the wood stud. Repeat this step for the other metal bracket (D) to secure the vanity.

10 Vanity Top Installation

- Install faucet and drain according to manufacturer's installation instructions. Do not overtighten, this may cause the sink to crack.
- Set the vanity top on top of the vanity base, checking the location of the p-trap and drain.
- Remove vanity top from vanity base. Apply a thin bead of silicone around the vanity base and set the vanity top carefully in place.
- Remove excess silicone with a wet cloth.



Wait 24 hours before use.



ONE-YEAR LIMITED WARRANTY

Swiss Madison® products are made with quality materials and excellent craftsmanship to provide our customers with beautiful, durable, long-lasting products. Should there be any defects in materials or craftsmanship under regular use that are discovered within the first year after delivery, Swiss Madison® will provide replacement parts at no charge, or at its discretion, replace any product or part of the product that is deemed defective, under normal installation, use, service or maintenance. This warranty applies only to the original purchaser. Proof of purchase must be submitted with any warranty claim.

Swiss Madison® recommends that all installations of Swiss Madison® products to be conducted by a licensed plumber or contractor. Swiss Madison® will not be held responsible for any damage or product failure due to improper installation, misuse, or failure to utilize a licensed plumber or contractor for installation. Swiss Madison® is not responsible for any installation or removal costs.

THIS ONE-YEAR LIMITED WARRANTY WILL BE VOIDED IF:

- The installation instructions were not followed by the installer
- The product has been moved from its initial place of installation
- The product has in any way been modified from its original condition
- The product has been subjected to improper maintenance, abuse, misuse, excessive use of chemicals, accidents, or other damages

Swiss Madison® makes no warranty that its products comply with any local building or plumbing codes. It is the consumer's responsibility and obligation to determine local code compliance prior to and during installation.

Swiss Madison® is not responsible for any special, incidental or consequential damages associated with the installation, replacement, return or use of the original purchaser's product. This includes, but is not limited to: freight costs, labor, travel time, lost profit, home damages and other contingent liabilities and costs (including, without limitation, costs associated with 'professionals' or 'experts', investigations, audits, analyses, attorneys and any other professional/hired services). Some states do not allow the exclusion or limitation of incidental or consequential damages, so the above limitation or exclusion may not apply to you.

The Swiss Madison® warranty is a comprehensive and explicit limit of liability. All other warranties are hereby disclaimed and waived.

QUESTIONS OR CONCERNS? Please contact us directly at: 1-434-MADISON (623-4766)



WARNING:

Contents of your order may contain sharp and possibly other harmful pieces and may cause hazard to children and adults. Swiss Madison® is not responsible in any way for personal injuries or damages.