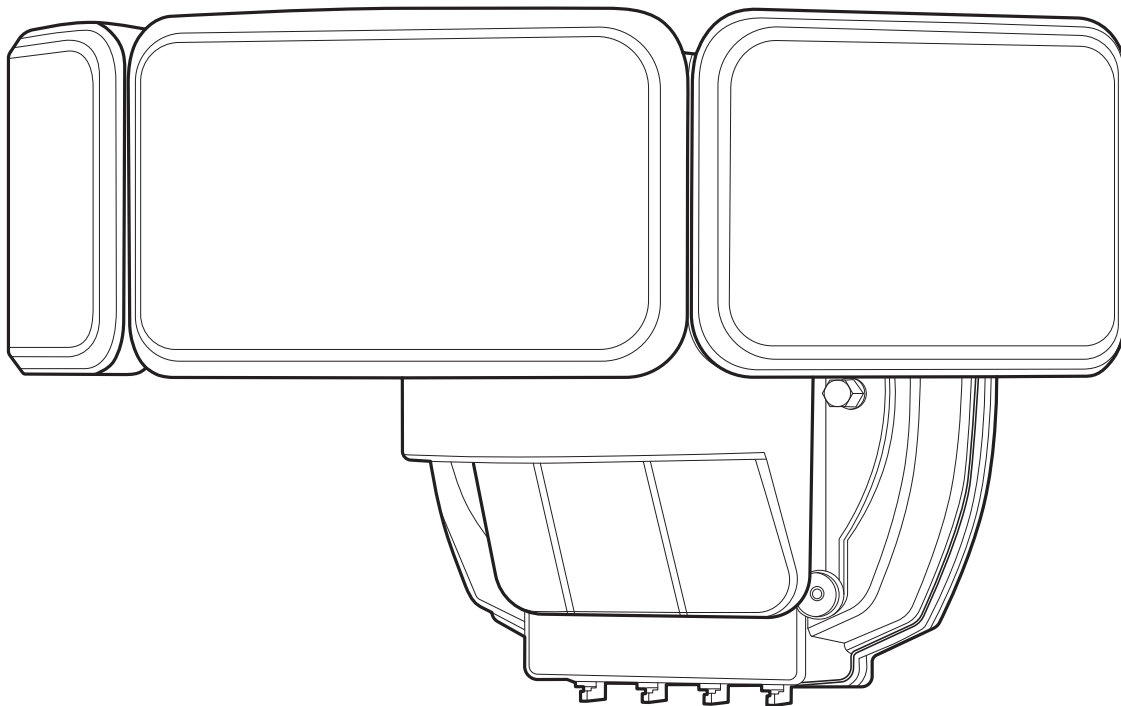


# EXTRA BRIGHT 5,000 LUMENS MOTION ACTIVATED TRIPLE HEAD LED SECURITY FLOOD LIGHT

## IMPORTANT SAFETY INSTRUCTIONS AND INSTALLATION GUIDE



**READ BEFORE INSTALLATION**  
SAVE THESE INSTRUCTIONS



We appreciate the trust and confidence you have placed in Feit Electric through the purchase of this product. We strive to continually create quality products designed to enhance your home. Visit us online to see our full line of products available for your home improvement needs. Thank you for choosing Feit Electric.

# Table of Contents

Safety Information	2
FCC Statement	2
Care and Maintenance	2
Limited Warranty	2
Pre-Assembly	3
Troubleshooting	3
External J-Box Installation	4
Flush J-Box Installation	5
Operation	6

## Safety Information

### For your safety:

- This product must be installed in accordance with any applicable installation code(s) by a qualified electrician or person familiar with the construction and operation of the product and the hazards involved.
- Do not make or alter any open holes in an enclosure of wiring or electrical components during product installation.
- THIS DEVICE IS NOT INTENDED FOR USE WITH EMERGENCY EXITS.

The device has been evaluated to meet general RF exposure requirement. The device can be used in fixed/mobile (min. 20 cm) exposure condition without restriction.

### Product Specifications:

- 120 VAC, 60Hz, 46 Watts
- Not for use with dimmers
- Suitable for wet locations



**CAUTION: WARNING:** Risk of fire. Before installing your lighting fixture, thoroughly review enclosed installation manual. If you do not have sufficient electrical wiring experience, please refer to a do-it-yourself wiring handbook or have your fixture installed by a qualified licensed electrician. All electrical connections must be in accordance with Local and National Electrical Code (NEC) Standards. Reliable operating temperature is -13°F to 113°F (-25°C to 45°C). For more information visit [www.feit.com](http://www.feit.com).

**RISK OF INJURY:** Wear gloves and safety glasses when installing, servicing or performing maintenance. Avoid direct eye exposure with the LED while it is on. May cause irreversible damage to the eyes when looking directly into the LED.

## FCC STATEMENT

This device complies with part 15 of the FCC Rules. Operation is subject to the following two conditions: (1) This device may not cause harmful interference, and (2) this device must accept any interference received, including interference that may cause undesired operation. Note: This equipment has been tested and found to comply with the limits for a Class B digital device, pursuant to part 15 of the FCC Rules. These limits are designed to provide reasonable protection against harmful interference in a residential installation. This equipment generates, uses and can radiate radio frequency energy and, if not installed and used in accordance with the instructions, may cause harmful interference to radio communications. However, there is no guarantee that interference will not occur in a particular installation. If this equipment does cause harmful interference to radio or television reception, which can be determined by turning the equipment off and on, the user is encouraged to try to correct the interference by one or more of the following measures: Reorient or relocate the receiving antenna. Increase the separation between the equipment and receiver. Connect the equipment into an outlet on a circuit different from that to which the receiver is connected. Consult the dealer or an experienced radio/TV technician for help. Any changes or modifications not expressly approved by the manufacturer could void the user's authority to operate the equipment.

**Supplier's Declaration of Conformity:**  
47 CFR § 2.1077 Compliance Information  
**Responsible Party:**  
Feit Electric Company  
4901 Gregg Road, Pico Rivera, CA 90660, USA  
**Unique Identifier:**  
SEC5000/5CCT, ITM./ART. 1720220

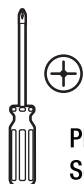
## Care and Maintenance

Periodically clean the fixture and diffuser using a mild, non-abrasive cleaner and soft cloth. When cleaning the fixture, make sure the power is turned off. Do not spray cleaner directly onto any part of the fixture or LEDs.

## Limited Warranty

This product is warranted to be free from defects in workmanship and materials for up to 5 years from date of purchase. If the product fails within the warranty period, please contact Feit Electric at [info@feit.com](mailto:info@feit.com), visit [feit.com/contact-us](http://feit.com/contact-us) or call 1-866-326-BULB (2852) for instructions on replacement or refund. REPLACEMENT OR REFUND IS YOUR SOLE REMEDY. EXCEPT TO THE EXTENT PROHIBITED BY APPLICABLE LAW, ANY IMPLIED WARRANTIES ARE LIMITED IN DURATION TO THE DURATION OF THIS WARRANTY. LIABILITY FOR INCIDENTAL OR CONSEQUENTIAL DAMAGES IS HEREBY EXPRESSLY EXCLUDED. Some states and provinces do not allow the exclusion of incidental or consequential damages, so the above limitation or exclusion may not apply to you. This warranty gives you specific legal rights, and you may also have other rights which vary from state to state or province to province.

## TOOLS REQUIRED (NOT INCLUDED)



Phillips  
Screwdriver



Flat Head  
Screwdriver

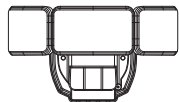


Silicone Sealant

## HARDWARE INCLUDED



NOTE: Hardware not shown to actual size.



AA



BB



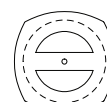
CC



DD



EE



FF



GG



HH



II



JJ



KK

Part	Description	Quantity
AA	Triple-Head Security Flood Light	1
BB	Mounting Plate	1
CC	Mounting Plate Screws	2
DD	Decorative Nuts	2
EE	Rubber Washers	2
FF	Mounting Gasket	1
GG	Spacers	2
HH	Mounting Bar	1
II	Mounting Bar Screw	1
JJ	J-Box Screws	2
KK	Sensor Cover	1

## Troubleshooting

PROBLEM	POSSIBLE CAUSE	CORRECTIVE ACTION
Light does not come on at night when motion is detected.	No power is being delivered to the fixture. Another light source is causing the security light to think it is daylight. Wiring inside electrical box came loose.	Adjust the Timer control settings. Check that the circuit breaker and/or wall switch power is on. Turn the power to the fixture off and reconnect any loose wiring. Turn off any surrounding lights.
Security light cycles ON and OFF continuously.	Dusk-to-Dawn sensor is sensing reflected light from the security light.	Change the position of the light head(s). Aim the light away from reflecting surfaces.
Security light comes on for no apparent reason at night.	Light is sensing motion in the detection zone.	Adjust Sensitivity control to a lower detection range.

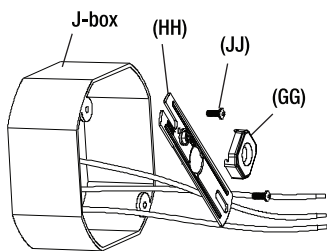
# External J-Box Installation

## 1 Turning Off the Power

Turn the main power off at circuit breaker or fuse box.

## 2 Installing the Mounting Bar

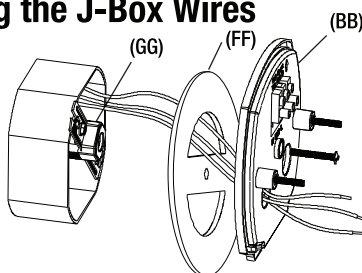
Install the mounting bar (HH) to an external J-box using the J-box screws (JJ). If needed, add one of the spacers (GG) provided to eliminate the gap between the mounting bar (HH) and the mounting plate (BB).



**NOTE:** Fixture should be installed between 6.5 ft./1.98m and 9 ft./2.74m above the ground.

## 3 Extending and Feeding the J-Box Wires

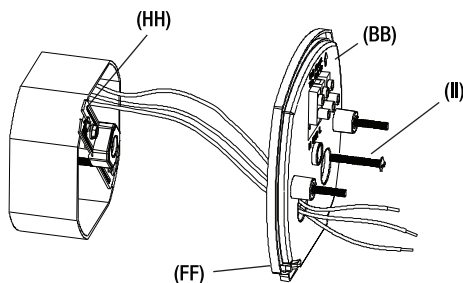
Extend and feed the J-box wires through the openings on the mounting gasket (FF) and the mounting plate (BB).



**NOTE:** Tear away at perforation on mounting gasket.

## 4 Securing the Mounting Gasket and Plate

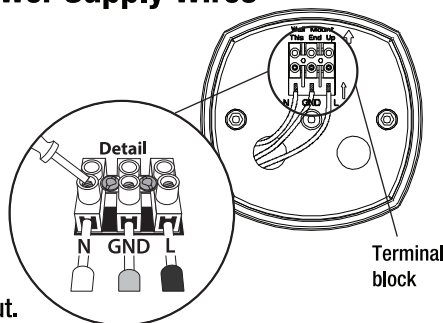
Secure the mounting gasket (FF) and the mounting plate (BB) to the mounting bar (HH) using the mounting bar screw (II). Do not over tighten.



## 5 Connecting the Power Supply Wires

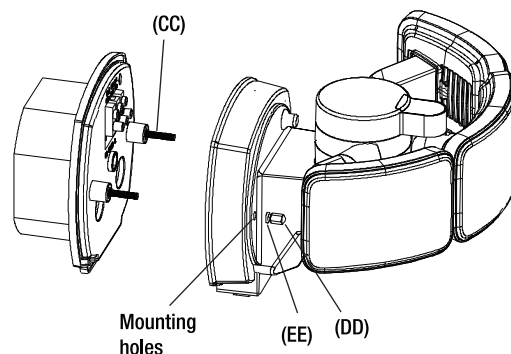
Connect the power supply wires directly to the terminal block. Secure the wires to the terminal block by using a small screwdriver.

Connect:  
Black wire to "L" input.  
Ground wire to "GND" input.  
White wire to "N" input.



## 6 Positioning and Aligning the Mounting Holes

Position and align the mounting holes on the fixture body to the mounting plate screws (CC). Insert the mounting plate screws (CC) into the fixture body. Insert the rubber washers (EE) into the mounting plate screws (CC). Tighten the decorative nuts (DD) to secure the fixture.



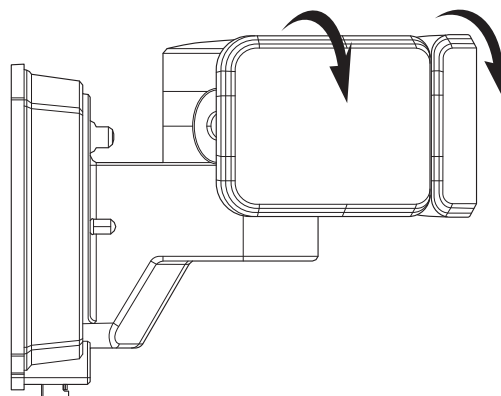
## 7 Apply a Silicone Sealant

Once the fixture is tightly secured to the J-box, apply a silicone sealant around the base of the fixture to prevent moisture from penetrating the fixture and reaching the connections.

## 8 Adjusting the LED Lamp Heads

Adjust each LED lamp head in a downward direction. Swivel all 3 LED lamps together or individually, right or left, to set lamp heads in a desired direction.

To customize light coverage, point each individual lamp head to the specific area that you would like to cover.



## 9 Turning the Power On

Turn the power on at circuit breaker or fuse box.

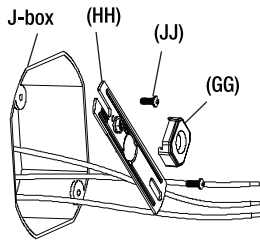
# Flush J-Box Installation

## 1 Turning Off the Power

Turn the main power off at circuit breaker or fuse box.

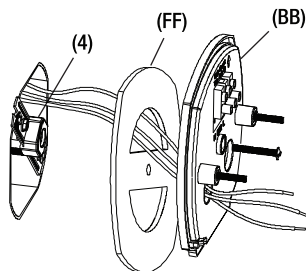
## 2 Installing the Mounting Bar

Install the mounting bar (HH) to a J-box using the J-box screws (JJ). If needed, add one of the spacers (GG) provided to eliminate the gap between the mounting bar (HH) and the mounting plate (BB).



## 3 Extending and Feed the J-Box Wires

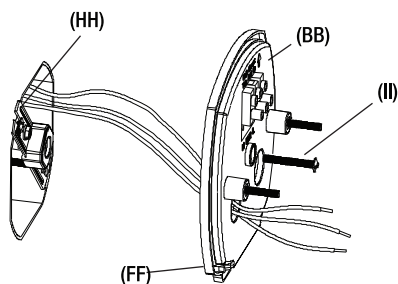
Extend and feed the J-box wires through the openings on the mounting gasket (FF) and the mounting plate (BB).



**NOTE:** Do not tear away at perforation on mounting gasket.

## 4 Securing the Mounting Gasket and Plate

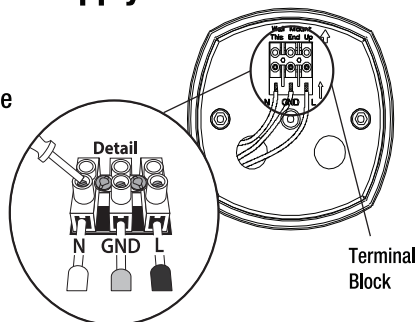
Secure the mounting gasket (FF) and the mounting plate (BB) to the mounting bar (HH) using the mounting bar screw (II). Do not over tighten.



## 5 Connecting the Power Supply Wires

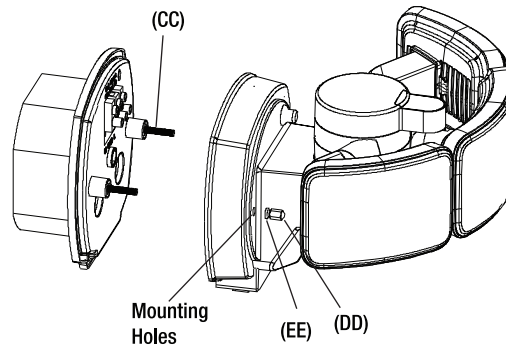
Connect the power supply wires directly to the terminal block. Secure the wires to the terminal block by using a small screwdriver.

Connect:  
Black wire to "L" input.  
Ground wire to "GND" input.  
White wire to "N" input.



## 6 Positioning and Aligning the Mounting Holes

Position and align the mounting holes on the fixture body to the mounting plate screws (CC). Insert the mounting plate screws (CC) into the fixture body. Insert the rubber washers (EE) into the mounting plate screws (CC). Tighten the decorative nuts (DD) to secure the fixture.



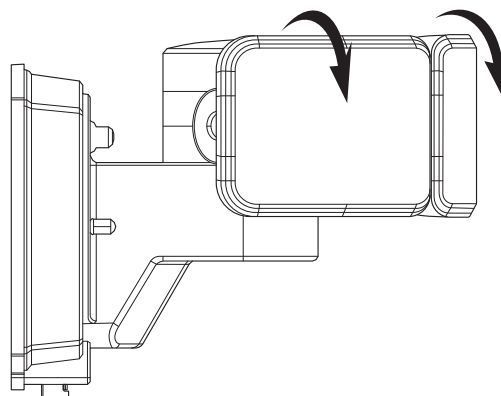
## 7 Apply a Silicone Sealant

Once the fixture is tightly secured to the J-box, apply a silicone sealant around the base of the fixture to prevent moisture from penetrating the fixture and reaching the connections.

## 8 Adjusting the LED Lamp Heads

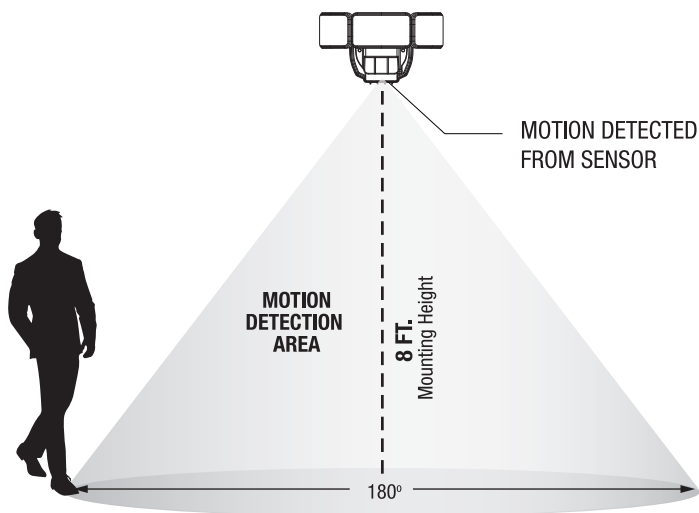
Adjust each LED lamp head in a downward direction. Swivel all 3 LED lamps together or individually, right or left, to set lamp heads in a desired direction.

To customize light coverage, point each individual lamp head to the specific area that you would like to cover.



## 9 Turning the Power On

Turn the power on at circuit breaker or fuse box.

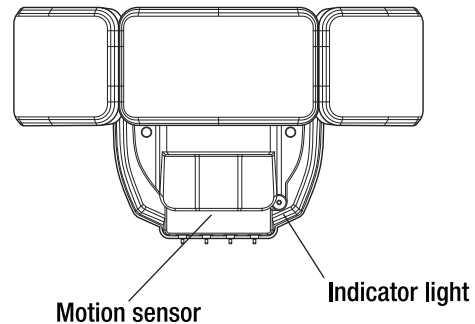


## Motion Sensor Detection Zone

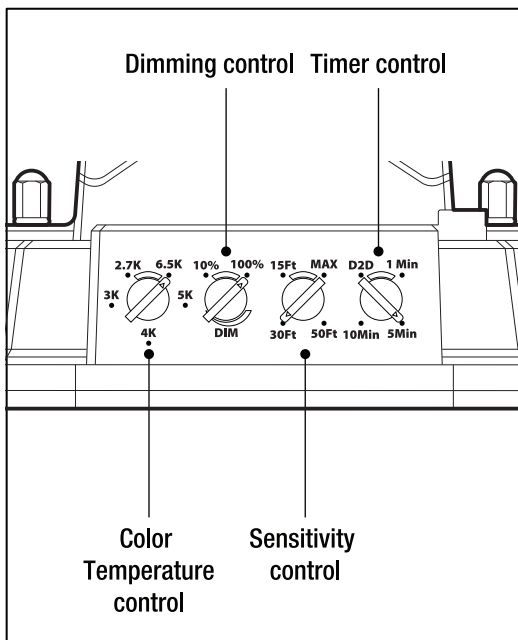
The 180-degree coverage of the motion sensor is measured side-to-side. Therefore, the sensor will detect motion across the field of view (see side image).

## Indicator Light

When motion is detected the indicator light will flash, then remain on and in motion mode.



**NOTE:** The higher the sensitivity level (see Sensitivity control below) the higher the likelihood of a false activation being triggered.



1. Rotate the **Timer control** rotary knob to point to either 1 Min, 5 Min, 10 Min or D2D.
  - 1 Min: Light will remain on for one (1) minute after motion is detected before turning off.
  - 5 Min: Light will remain on for five (5) minutes after motion is detected before turning off.
  - 10 Min: Light will remain on for ten (10) minutes after motion is detected before turning off.
  - D2D: Motion detection is disabled. Light will remain off during the day and automatically turn on at dusk.



**NOTE:** A convenience cover is provided which can be used to block out light and bypass the sensor. This will keep the light on continuously and fixture can be controlled through the wall switch or a master photocell.

2. Rotate the **Sensitivity control** rotary knob to point to either MAX, 50Ft, 30Ft or 15Ft.
  - MAX: Motion sensor's maximum detection range (up to 60Ft).
  - 50Ft: Motion sensor will detect movement from a maximum perimeter of 50Ft.
  - 30Ft: Motion sensor will detect movement from a maximum perimeter of 30Ft.
  - 15Ft: Motion sensor will detect movement from a maximum perimeter of 15Ft.
3. Rotate the **Dimming control** rotary knob from 100% to 10%.
  - 100%: Maximum lumens (5,000).
  - 10%: Minimum lumens (500).



**NOTE:** If the desired number of lumens is between 100% (5,000) and 10% (500), you can adjust the rotary knob left or right to point to the approximate number of lumens that you would like to produce (the rotary pointing straight down produces 2,750 lumens (50%).

4. Rotate the **Color Temperature control** rotary knob to point to either 6.5K, 5K, 4K, 3K or 2.7K.
  - 6500K: Cool daylight
  - 5000K: Daylight
  - 4000K: Cool white
  - 3000K: Bright white
  - 2700K: Soft white