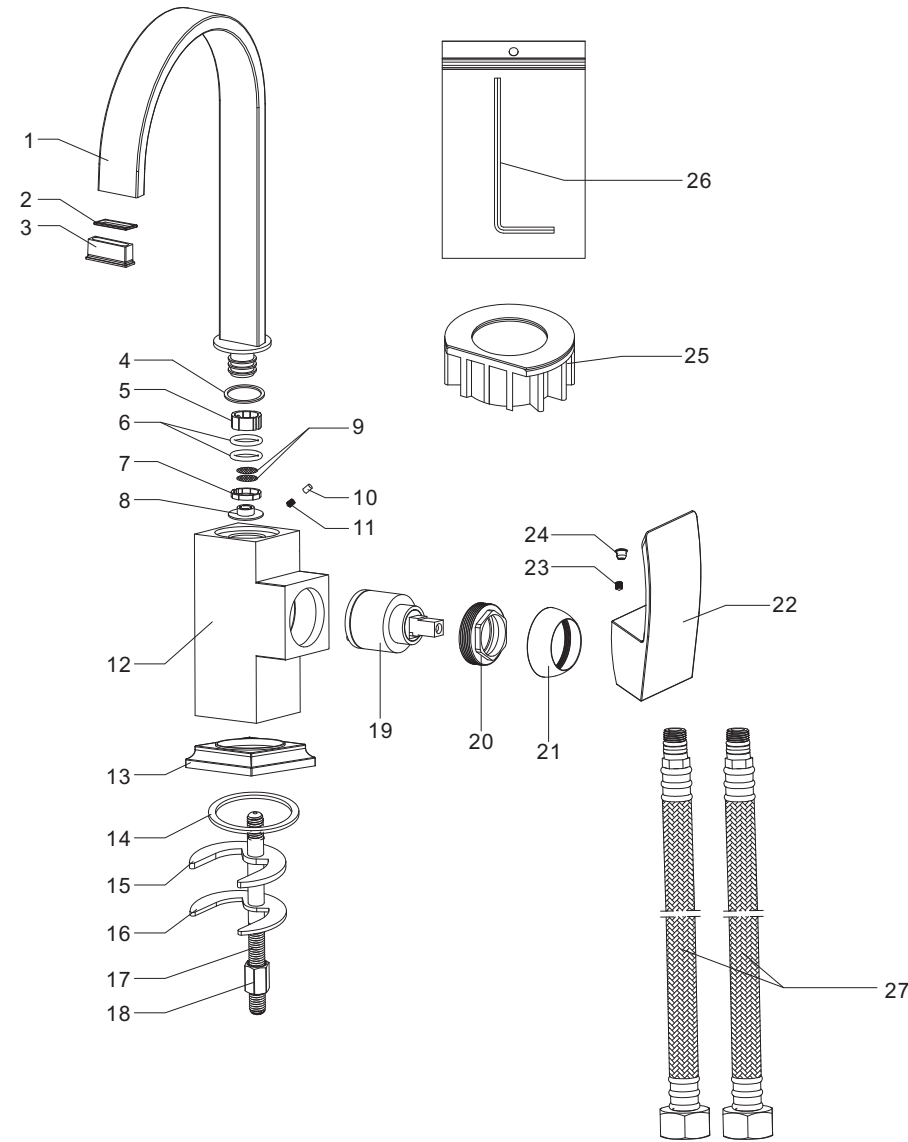
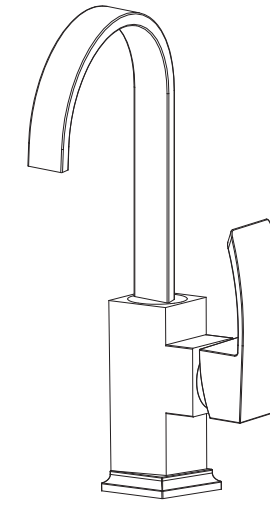


Step 4 Parts list



NO.	PART NAME
1	Spout
2	Washer
3	Aerator
4	Wearing ring
5	Ring
6	O-ring
7	Ring
8	Flow restricter
9	Screen filter
10	Handle button
11	Screw
12	Body
13	Base
14	O-ring
15	Rubber washer
16	Clamp
17	Screw
18	Lock nut
19	Cartridge
20	Cartridge lock nut
21	Trim cap
22	Handle
23	Screw
24	Index
25	Plastic base
26	Allen key
27	Flexible hose

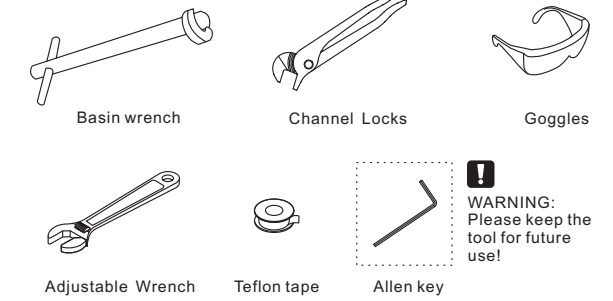


SINGLE HANDLE KITCHEN FAUCET



ASME A112.18.1/CSA B125.1

RECOMMENDED TOOLS

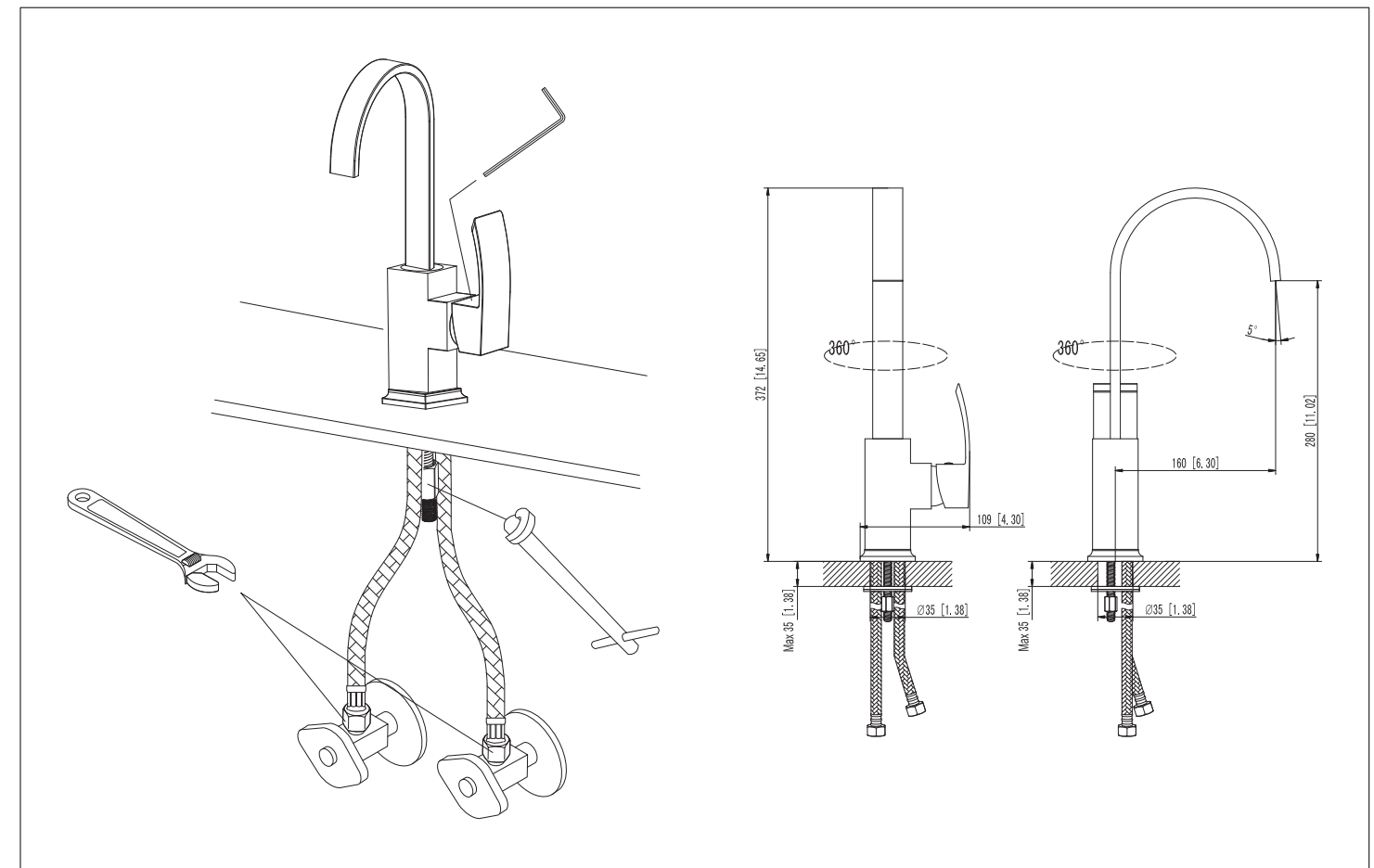


WARNING:
Please keep the tool for future use!

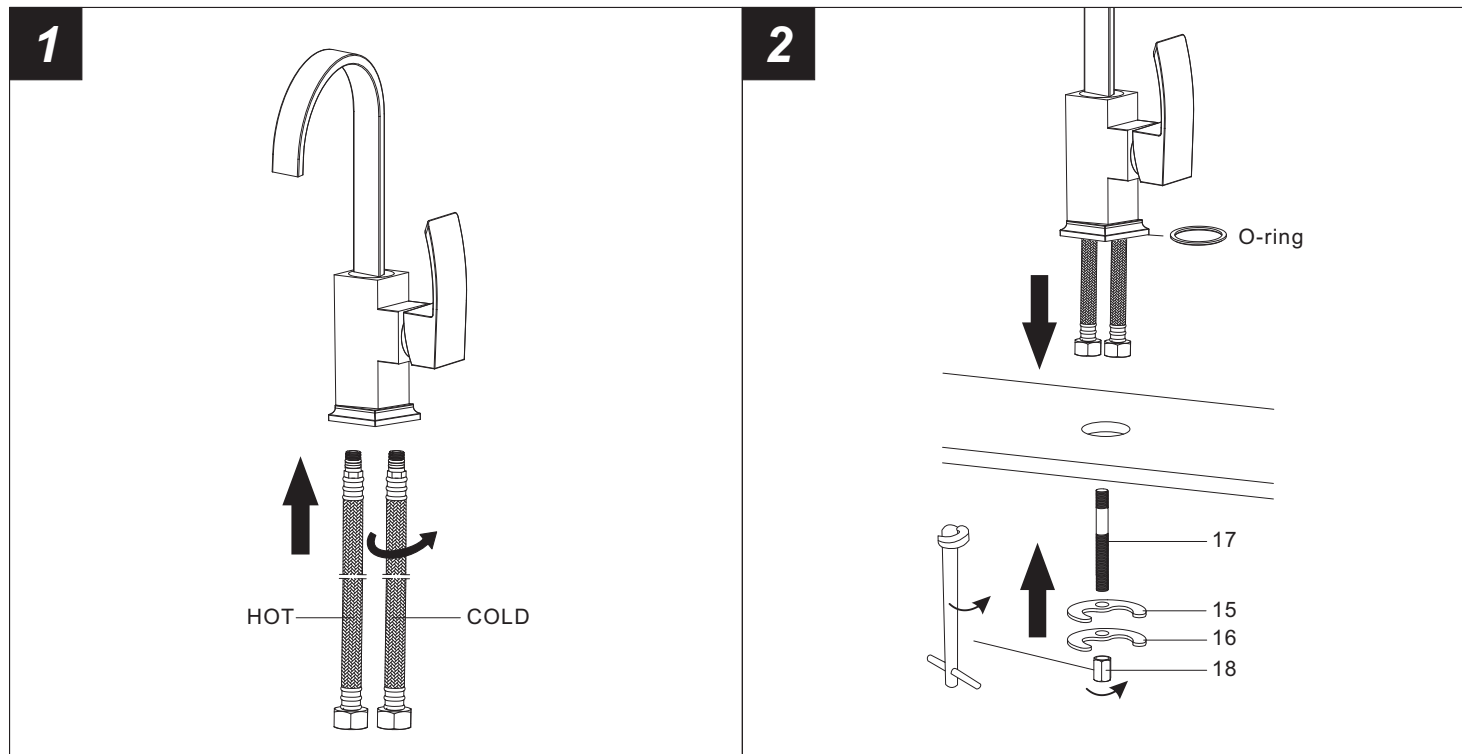


Attention:
for easy installation, you will need:
1. To read all the installation instruction completely before beginning.
2. To read all the warning, attention and maintenance information.
3. To purchase the proper supply lines.

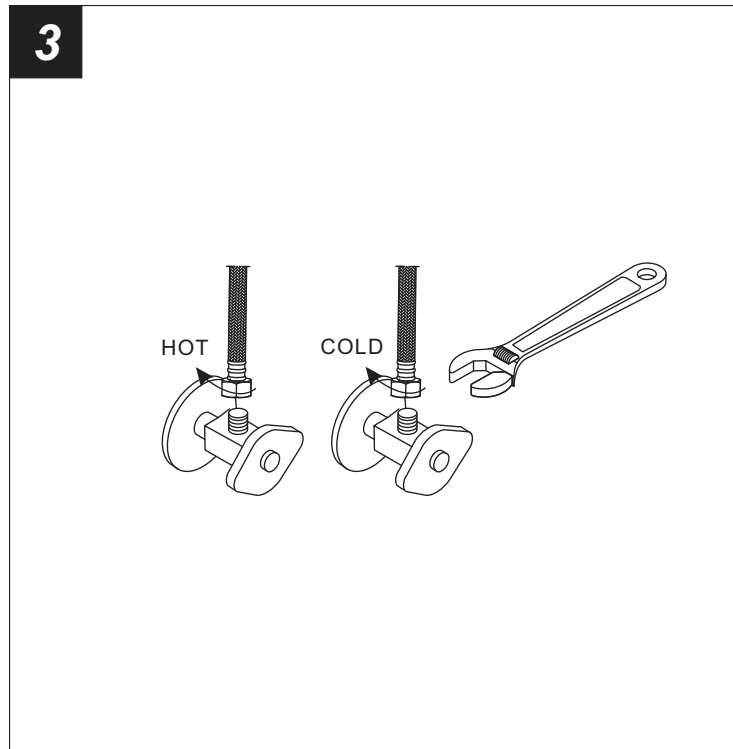
The tools might be applied to the following places:



Step 1 Faucet installation



1. Assemble the 2 flexible hose to the faucet by hand.
2. Put the faucet into the installation hole of the basin. Make sure o-ring be on the base of faucet. Assemble screw #17 to the base of faucet, and assemble rubber washer #15 and clamp #16 to screw #17. Then assemble lock nut #18 by basin wrench to screw #17 to fix the faucet.



3. Connect the flexible hose to water supply valve (not included), and tighten it with adjustable wrench.

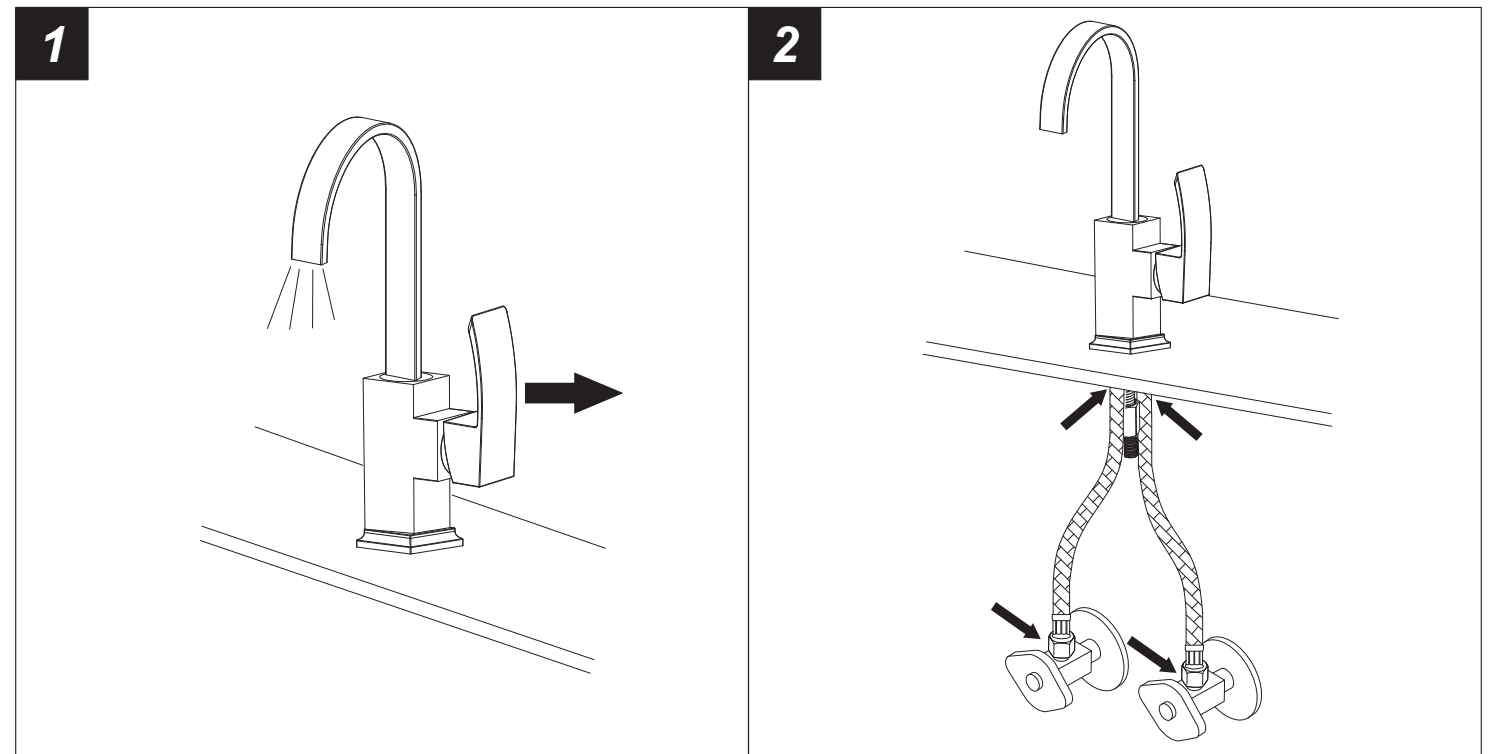
DON'T OVER TIGHTEN!

Caution: make sure connect the hot and cold flexible hoses to supply valves correctly.

Warning:

The supply valves are not included, please purchase them in plumb shop.

Step 2 Checking and testing



1. Turn the faucet handle all the way on, turn on hot and cold water supply and flush water lines for one minute.
2. Check all connections at arrows for leaks, re-tighten it if necessary. **BUT DON'T OVERTIGHTEN!**

Step 3 Cleaning and care

Daily cleaning and care are required in order to keep the product shining and properly working.

1. Clean it with water and dry it with soft cloth.
2. Clean the product with gentle liquid or glass cleaner.
3. Don't use acid cleaner.
4. Don't clean with abrasive material, abrasive paper or knife.