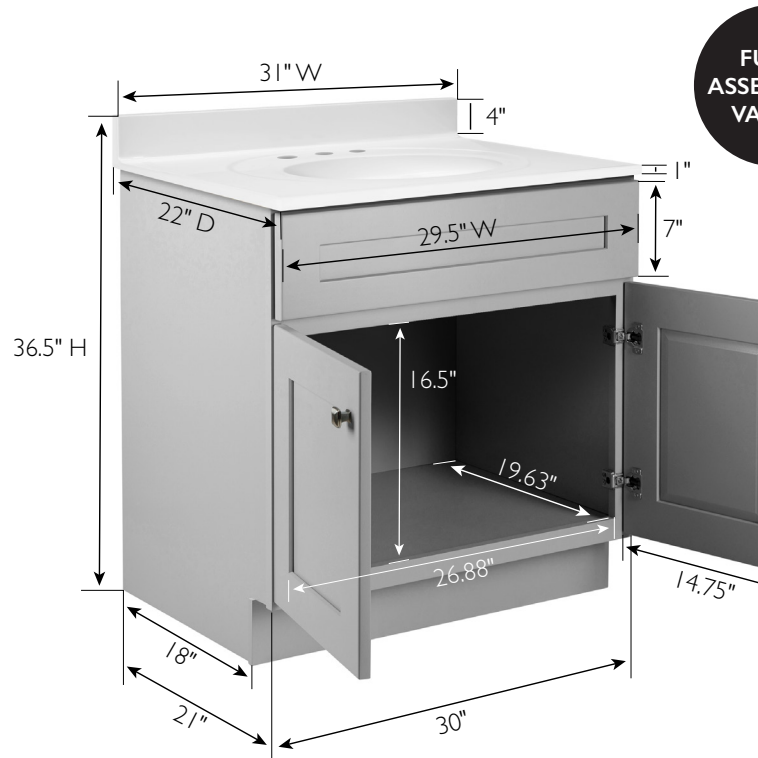


Brookings Shaker 2-Door Vanity with Cultured Marble 8 in. Widespread Solid White Top, Assembled, 31x22, Gray Base



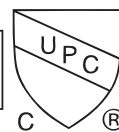
**FULLY
ASSEMBLED
VANITY**

SPECIFICATIONS

MATERIAL CONSTRUCTION:	Wood/Cultured Marble
ASSEMBLY REQUIRED:	No
ASSEMBLED DIMENSIONS:	36.5" H x 31" L x 22" D
ASSEMBLED WEIGHT:	94 lbs.
TOOLS NEEDED FOR INSTALLATION:	100% Silicone
CONSTRUCTION TYPE:	Face Frame
HINGE STYLE:	Soft Close
DOOR STYLE:	2 Shaker Doors
FACE FRAME MATERIAL:	Solid Wood
SIDES MATERIAL:	Plywood
BOTTOM MATERIAL:	Plywood

TOE KICK INSET WIDTH:	3"
BACK PANEL MATERIAL:	Plywood
BACK BRACE MATERIAL:	Solid Wood
FAUCET TYPE:	Lav Widespread
NUMBER OF MOUNTING HOLES:	3
BOWL MATERIAL:	Cultured Marble
BACK SPLASH INCLUDED:	Yes
COLOR:	Solid White
NUMBER OF BOWLS:	1
BOWL DIMENSIONS:	5.63" H x 11.7" W x 17.13" D
BOWL SHAPE:	Rectangle
SINK THICKNESS:	1"
MOUNTING TYPE:	Centerset
OVERFLOW HOLE:	Yes

WARRANTY:	1-Year limited warranty
TSCA TITLE IV COMPLIANT:	Yes
LEGAL FOR SALE IN CALIFORNIA:	Yes
PROP 65 HARMFUL MATERIAL:	Formaldehyde



TYPE:
JOB:
ORDER CODE:
APPROVALS: