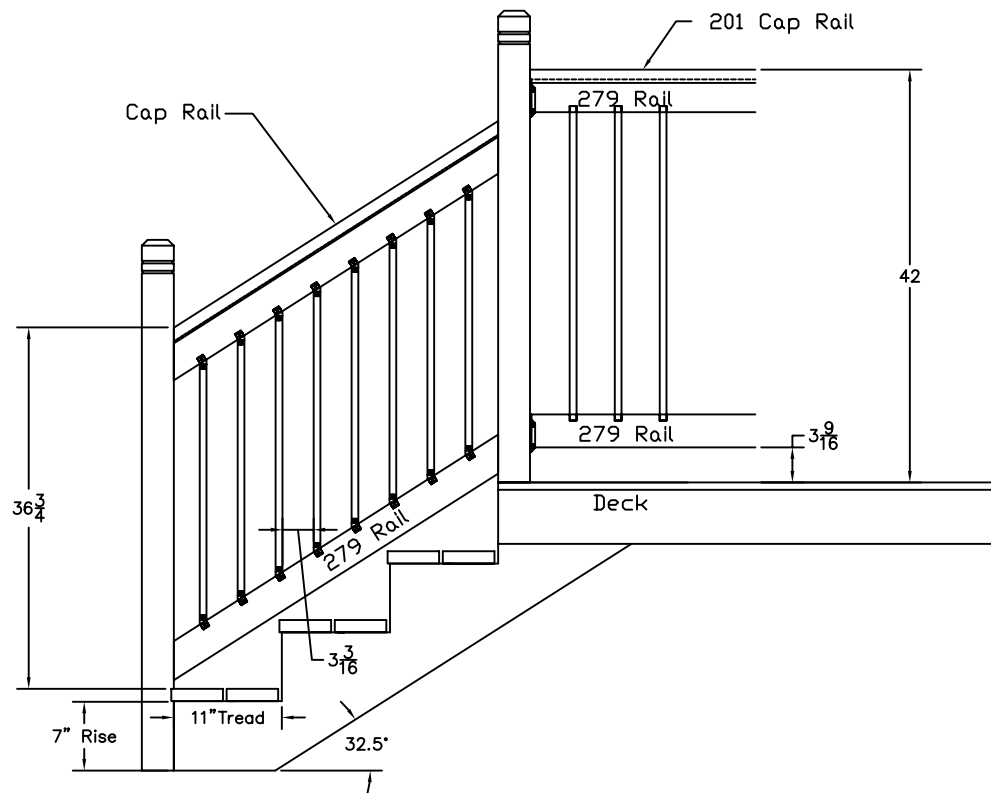


# 32" TRADITIONAL BALUSTERS



DIMENSIONS IN INCHES  
REVISION: APRIL 16, 2008  
APPROVED: \_\_\_\_\_  
CAD FILE: 279-FULLDIM.DWG