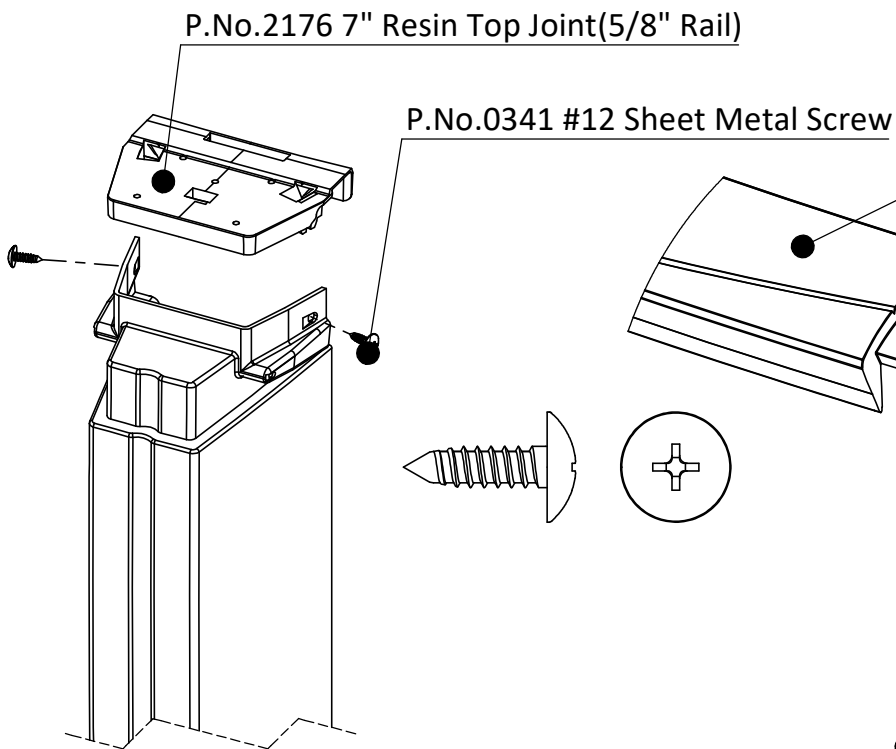


Affinity Assemble Top Seat, Vertical and Cover

STEP1



STEP2

