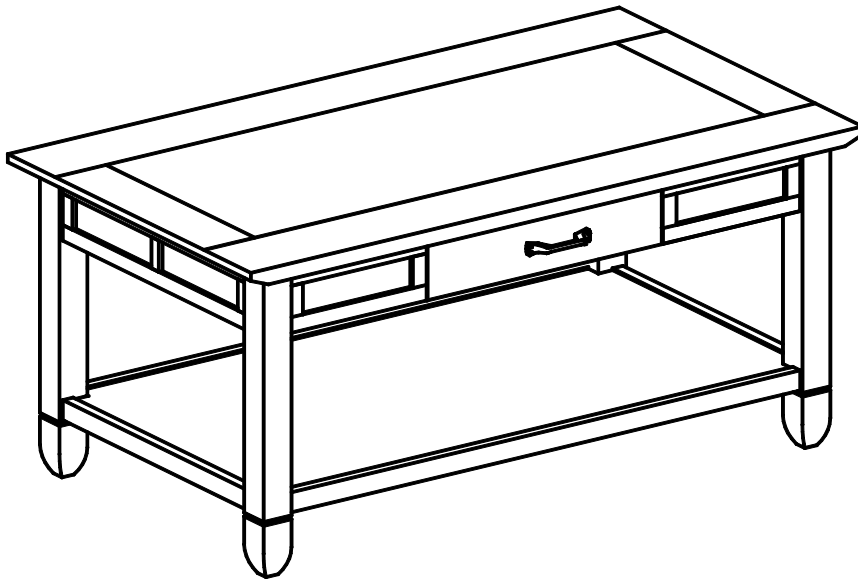


Assembly Instructions, #10904 Cocktail Table



Part A: Top Assembly

Part B: (4) Legs

Part C: Shelf

Part D: (12) Bolts

Part E: (12) Lock Washers

Part F: (12) Flat Washers

Part G: Allen Wrench

1. Place table top assembly upside down and fasten the legs with (8) bolts, flat washers and lock washers using the Allen wrench. The lock washer goes between the head of the bolt and the flat washer. Do not tighten yet.
2. Fasten the shelf to the legs with (4) bolts and flat washers and lock washers, tighten bolts. Hint: if you are by yourself, lay the table on its back; it is easier to not have to hold the shelf up while inserting bolts. Now you can tighten the bolts in step 1.
3. You did it! Begin to enjoy your new Leick Furniture.