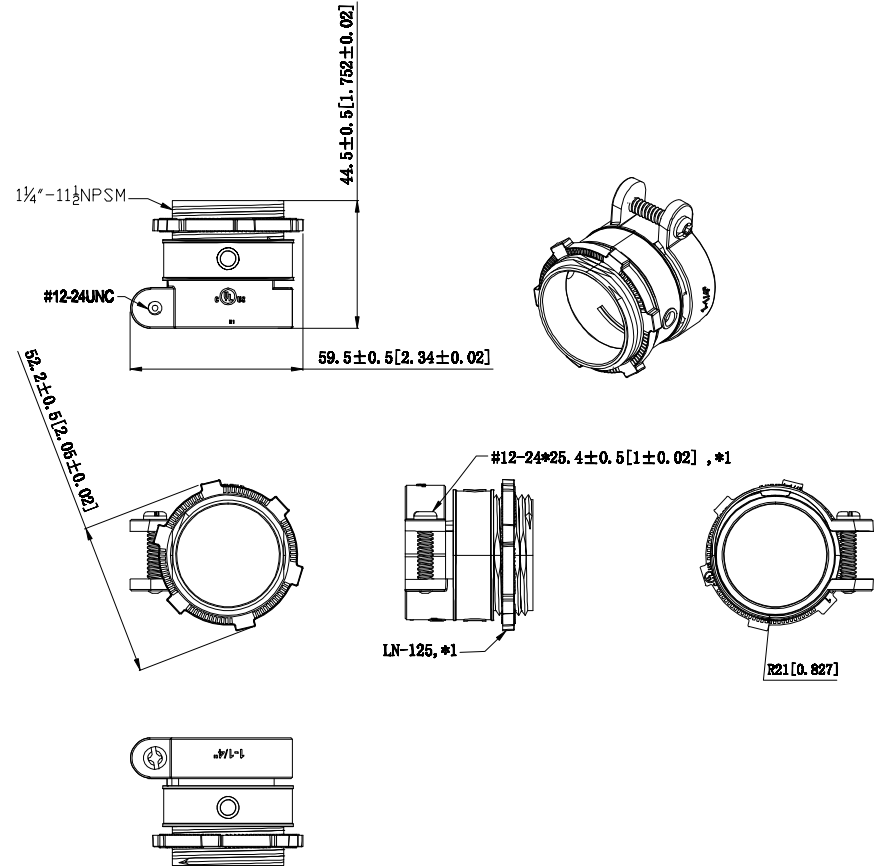


NO	P/N	Tooling	Working process Description
1	SQZ-125		

REVISIONS			
SYM.	BY.	REVISIONS	DATE
A			

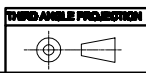


**NOTES:**  
 1.All dimensions in millimeters and [inches];  
 2.Free of sharp edge and burrs.max burr 0.5[0.0196].  
 3.Material: #3 ZAMAK

VALUE SPECIFIC SPECIFIED TOLERANCE ZONE BY SIZE X.X ±0.04[±0.1] X.XX ±0.015[±0.06] X.XXX ±0.005[±0.002]
MATERIAL #3 ZAMAK
FINISH DO NOT SCALE DIMENSIONS UNLESS OTHERWISE SPECIFIED

NAME	DATE
DESIGN	2014.01.08
CHECKED	
APPROVED (A)	
APPROVED (Customer)	

<b>GARVIN INDUSTRIES</b>		
TITLE		
ELECTRICAL TRADE WASHERS		
SIZE	DWG NO.	REV
A4	SQZ-125	



SCALE: 1:1	PRINT DATE	REFERENCES	SHEET 1 OF 1
------------	------------	------------	--------------