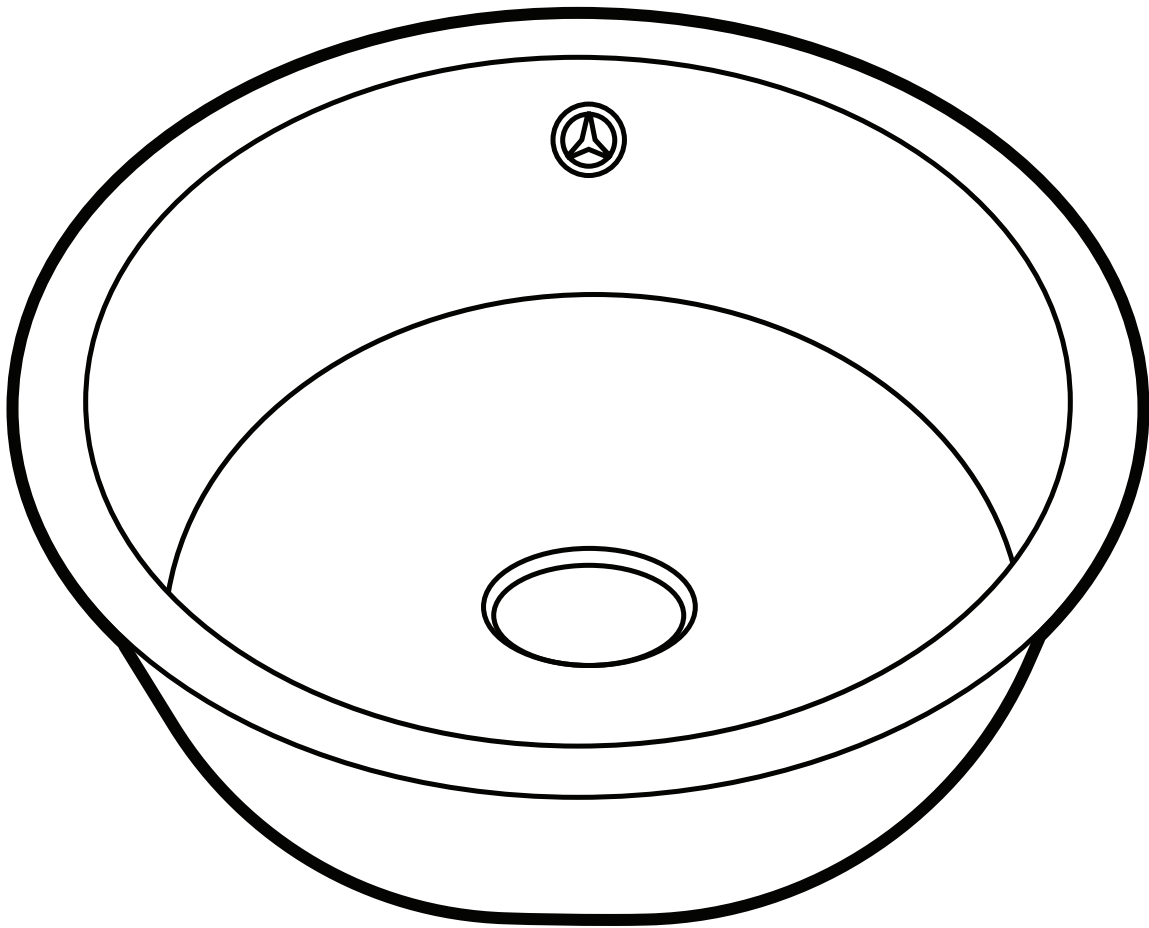


# Undermount Sink

## INSTALLATION INSTRUCTIONS





## PRIOR TO INSTALLATION:

- Inspect product to ensure no damages have occurred while in shipping.
- Observe all plumbing and building codes in accordance with your state and local requirements.
- Floor must be level prior to installation.
- Console height is not adjustable.
- All dimensions are nominal! Be sure to measure your sink prior to installation.
- The step-by-step guidelines in the installation instructions are a general reference. Should there be any discrepancies, Swiss Madison cannot be held liable. It is recommended to install all Swiss Madison products by hiring a licensed professional.
- Read installation and maintenance instructions thoroughly before installing. Be sure to use proper tools and always wear proper personal safety accessories for your protection.
- Two people are recommended to install and move this product.

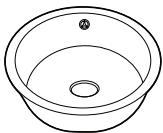
## QUESTIONS OR CONCERNS?

Please contact us:

1-434-623-4766

info@swissmadison.com

## INCLUDED PARTS:

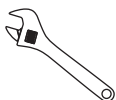


Undermount Sink

## SUGGESTED TOOLS & MATERIALS:



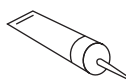
Safety Glasses



Adjustable Wrench



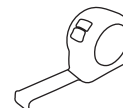
Jig Saw



Liquid Nail



Drill



Tape Measure



Gloves

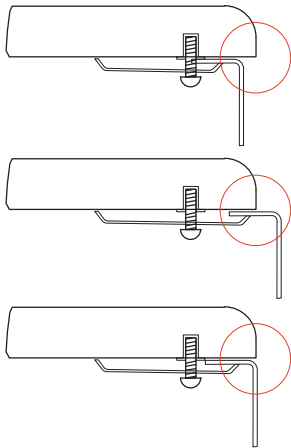


Drop Cloth

## INSTALLATION:

### 1. Determine Reveal Type

**NOTE:** This manual instructs specifically for mounting a flush reveal type. Make sure to consult your plumber about desired reveal type prior to installation.



**Negative:** Counter edge extends past sink rim approximately 1/4".

**Positive:** Sink rim is exposed approximately 1/4" from edge of countertop.

**Flush:** Sink edge is flush with countertop opening.

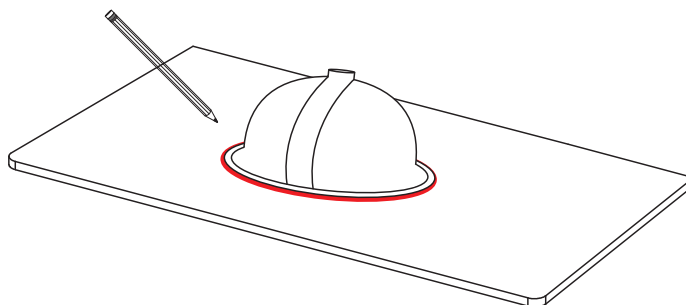
### 2. Clean Countertop

- Make sure to thoroughly clean the underside of the countertop and let it dry completely.

**NOTE:** The underside of counters tend to be rough and unfinished which makes it easy to hold debris. You want to make sure it's clean so nothing interferes with the bond between the adhesive and the countertop.

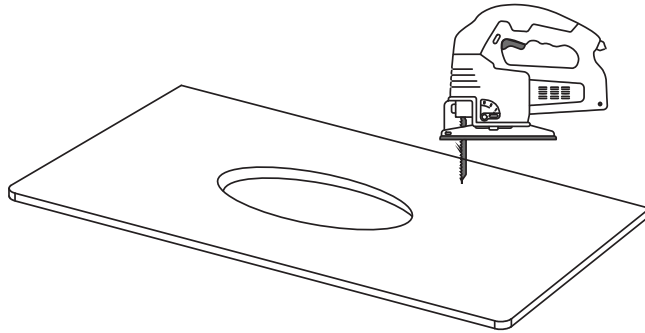
### 3. Position and Trace Sink

- Flip sink upside down on top of countertop in the desired location you want the sink to be.
- Trace the outline of the sink onto the countertop.
- Make sure clearance is suitable for back splash, faucet, and plumbing for the sink.



## 4. Cut Countertop

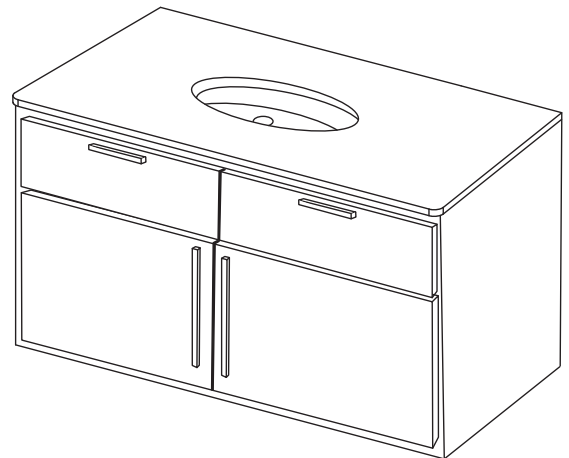
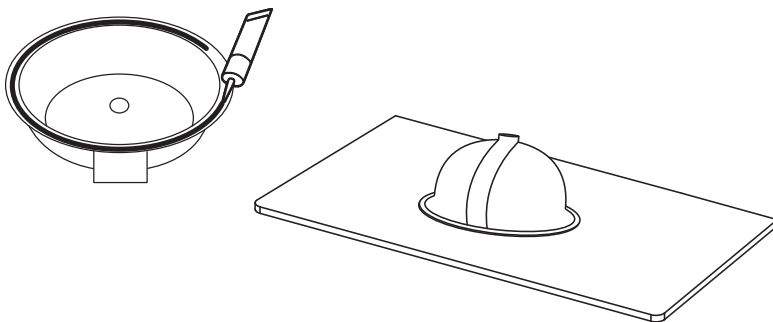
- Cut an opening in the countertop by carefully following the traced line.
- Please use the appropriate saw that best fits your countertop material. A professional should be consulted for cutting the countertop.



## 5. Affix Countertop

- Again, clean under the countertop and cutout area making sure it is free of debris.
- Apply liquid nail or adhesive of choice to the rim of the sink near the inside edge. Be careful not to miss or skip any area.
- Carefully lift sink squarely under countertop cutout. Press firmly on sink to form seal and seal sink. Immediately wipe excess sealant with a damp cloth. Be careful not to smear or spread sealant onto countertop or sink.

**NOTE: Dry time is dependent upon which adhesive you choose to use. Be sure to check your adhesive instructions before use.**



## 6. Install Plumbing Fixtures

- Turn counter back over.
- Connect drain trap to drain, and water supply connections to faucet according to manufacturer's instruction.
- Run water into sink and check for leaks.

## ONE-YEAR LIMITED WARRANTY

Swiss Madison® products are made with quality materials and excellent craftsmanship to provide our customers with beautiful, durable, long-lasting products. Should there be any defects in materials or craftsmanship under regular use that are discovered within the first year after delivery, Swiss Madison® will provide replacement parts at no charge, or at its discretion, replace any product or part of the product that is deemed defective, under normal installation, use, service or maintenance. This warranty applies only to the original purchaser. Proof of purchase must be submitted with any warranty claim.

Swiss Madison® recommends that all installations of Swiss Madison® products to be conducted by a licensed plumber or contractor. Swiss Madison® will not be held responsible for any damage or product failure due to improper installation, misuse, or failure to utilize a licensed plumber or contractor for installation. Swiss Madison® is not responsible for any installation or removal costs.

### THIS ONE-YEAR LIMITED WARRANTY WILL BE VOIDED IF:

- The installation instructions were not followed by the installer
- The product has been moved from its initial place of installation
- The product has in any way been modified from its original condition
- The product has been subjected to improper maintenance, abuse, misuse, excessive use of chemicals, accidents, or other damages

Swiss Madison® makes no warranty that its products comply with any local building or plumbing codes. It is the consumer's responsibility and obligation to determine local code compliance prior to and during installation.

Swiss Madison® is not responsible for any special, incidental or consequential damages associated with the installation, replacement, return or use of the original purchaser's product. This includes, but is not limited to: freight costs, labor, travel time, lost profit, home damages and other contingent liabilities and costs (including, without limitation, costs associated with 'professionals' or 'experts', investigations, audits, analyses, attorneys and any other professional/hired services). Some states do not allow the exclusion or limitation of incidental or consequential damages, so the above limitation or exclusion may not apply to you.

The Swiss Madison® warranty is a comprehensive and explicit limit of liability. All other warranties are hereby disclaimed and waived.

**QUESTIONS OR CONCERNS?** Please contact us directly at: 1-434-MADISON (623-4766)



### **WARNING:**

Contents of your order may contain sharp and possibly other harmful pieces and may cause hazard to children and adults. Swiss Madison® is not responsible in any way for personal injuries or damages.