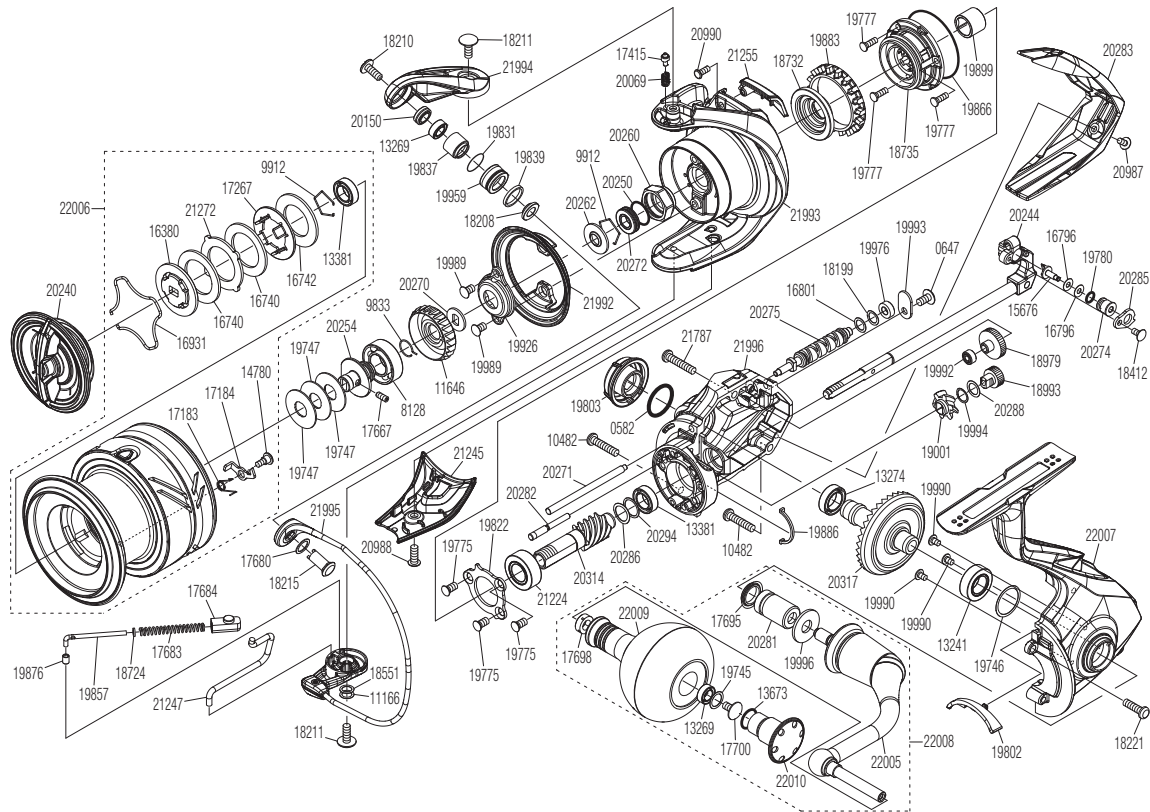


# SHIMANO

## SUSTAIN

## SA-C5000XG



Please note that the number of adjusting washers may not always be the same as shown in the exploded views.  
Please note that your actions take full responsibility when you take it apart.

(51SF46H049X)

#	Part No.	Description	#	Part No.	Description	#	Part No.	Description
0582	108WH	O Ring	18732	101D5	Rotor Ring	20271	10DYF	Oscillating Guide A
0647	10QG5	Screw	18735	10S2L	Roller Clutch Assembly	20272	10DXZ	Main Shaft Collar
8128	10KXC	Ball Bearing	18979	10074	Idle Gear	20274	1010C	Oscillating Slider Bushing
9833	107V2	Ratchet Spring	18993	10SM7	Idle Gear (Small)	20275	10DYB	Worm Shaft
9912	10GEW	Bearing Retainer	19001	1006V	Idle Gear (Large)	20281	10DYA	Handle Shaft Cover
10482	10LZ6	Screw	19745	104FH	Washer	20282	10DYJ	Idle Gear Shaft
11166	10KFA	Spacer	19746	101AY	Washer	20283	10RRQ	Rear Protector
11646	107PS	Drag Click Ratchet	19747	101AV	Spool Washer	20285	1010D	Oscillating Pawl Cover
13241	104JD	Ball Bearing	19775	100WY	Screw	20286	10E37	Washer
13269	104VX	Ball Bearing	19777	100WT	Screw	20288	10G6D	Spacer
13274	104PP	Ball Bearing	19780	100WX	O Ring	20294	10GD9	Washer
13381	104JT	Ball Bearing	19802	1017Y	Bail Trip Strike	20314	10DZ1	Pinion Gear
13673	10LAA	O Ring	19803	10RSK	Handle Screw Cap	20317	100Y1	Drive Gear
14780	10A6F	Screw	19822	10DWD	Bearing Retainer	20987	10RX2	Screw
15676	106VJ	Oscillating Pawl	19831	1009E	O Ring	20988	101CC	Screw
16380	10QBV	Key Washer B	19837	1009K	Bushing	20990	10RNG	Screw
16740	10345	Drag Washer A	19839	10RFZ	Spacer	21224	10E7A	Ball Bearing
16742	10C1A	Drag Washer B	19857	10SAN	Bail Spring Guide A	21245	10SD6	Bail Hold Support Guard
16796	1070D	Spacer	19866	1009Z	O Ring	21247	10DX4	Bail Trip Lever
16801	10K9C	Washer	19876	1009B	Bail Spring Guide A Bushing	21255	10SDA	Counter Weight Cover
16931	10B8N	Retainer	19883	10QXQ	Friction Ring	21272	10RZV	Eared Washer
17183	10BQF	Drag Click Spring	19886	1009W	Flange Water Proof	21787	10DVM	Screw
17184	102H5	Drag Click	19899	1009Y	Roller Clutch Inner	21992	10SNX	Rotor Brim
17267	10BCG	Key Washer	19926	1076N	Nut Lock Plate	21993	101J3	Rotor Assembly
17415	106ZC	Click Pin	19959	1009A	Line Roller	21994	10TL3	Bail Arm
17667	10PN3	Set Screw	19976	1009C	Bushing	21995	101UT	Bail Assembly
17680	1018Z	Washer	19989	103GW	Screw	21996	10TKH	Body
17683	105R6	Bail Spring	19990	1055H	Screw	22005	101UU	Handle Shank Assembly
17684	107AB	Bail Spring Guide B	19992	1009G	Bushing	22006	10SXV	Spool Assembly
17695	10PXV	Handle Shaft Seal	19993	10S7C	Worm Shaft Retainer	22007	1025U	Side Cover Assembly
17698	10PXZ	Bushing	19994	10TBA	Washer	22008	10RV5	Handle Assembly
17700	10LFA	Screw	19996	10H9N	Washer	22009	101JE	Handle Knob Assembly
18199	10ECK	Spacer	20069	10HE7	Click Spring	22010	10AZE	Handle Knob Seal
18208	10TJM	Bearing Spacer	20150	10E44	Collar			
18210	10TLJ	Screw	20240	10DYK	Drag Knob Assembly			
18211	10TLM	Screw	20244	10SPJ	Main Shaft Assembly			
18215	10TLK	Line Roller Support	20250	101GT	O Ring			
18221	10L6G	Screw	20254	10DYE	Spool Bearing Bushing			
18412	10LCT	Screw	20260	10E38	Rotor Nut			
18551	10K96	Washer	20262	10DY6	Bearing Water Proof			
18724	101D9	Spring Guide A Collar	20270	103NY	Spool Support	18054	10G4L	Anti Line Slip Sticker