

Potting Bench



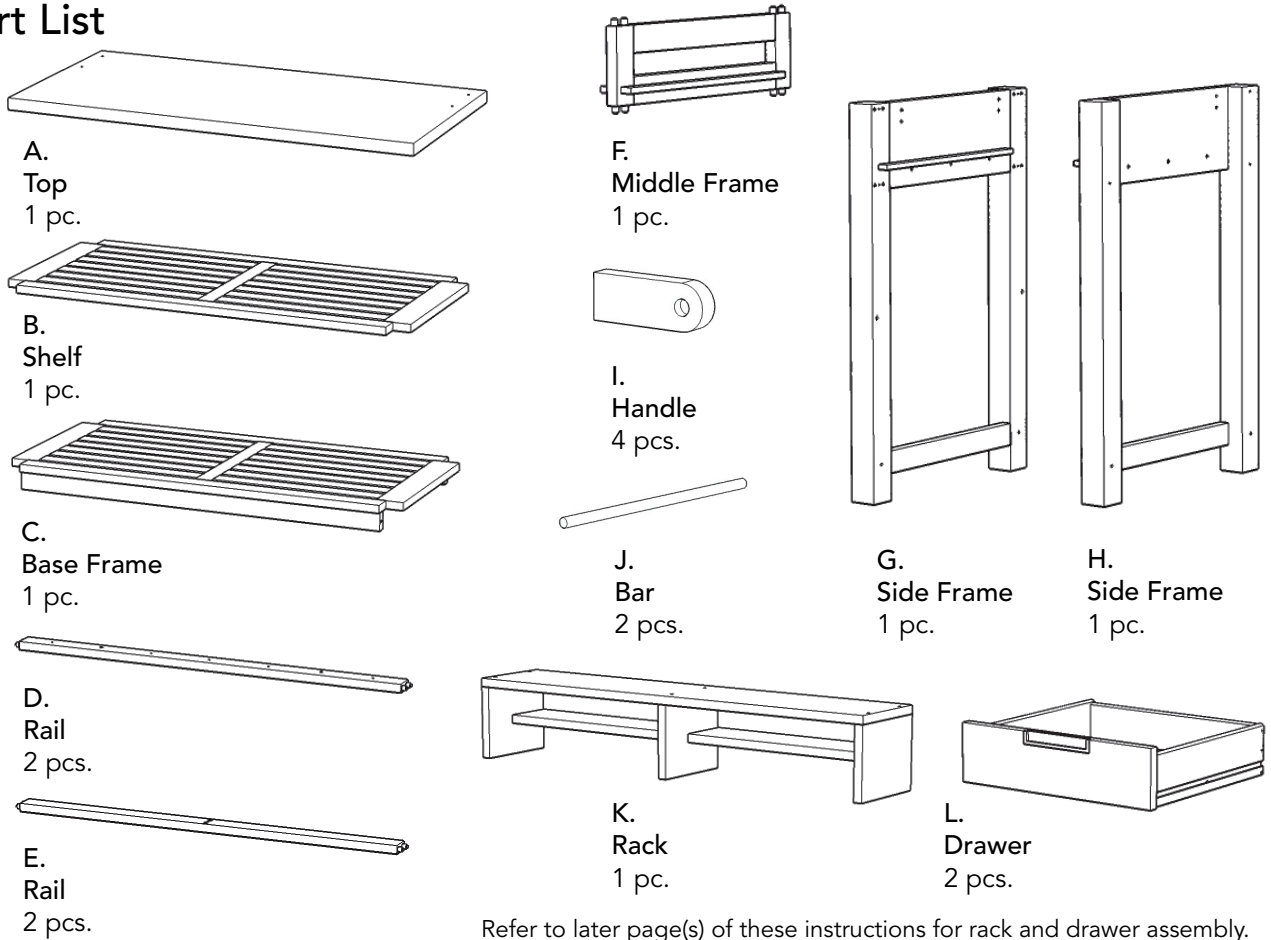
IMPORTANT

Carefully remove all the parts from the carton and place them individually on a soft cloth to prevent scratches or other damage.

Carefully and strictly follow these assembly instructions to ensure a completed product as designed.

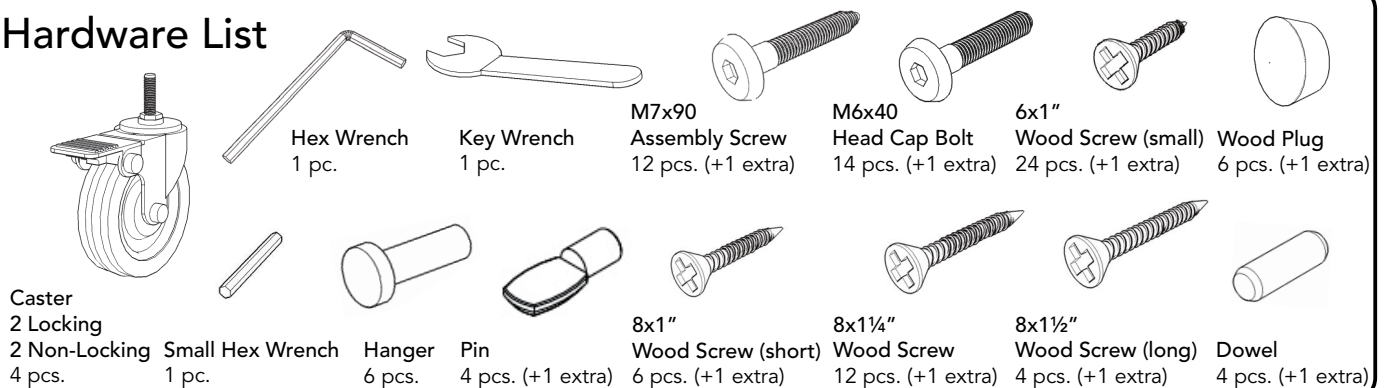
Do not use power tools above 8 volts to assemble.

Part List



Refer to later page(s) of these instructions for rack and drawer assembly.

Hardware List



Tool(s) required for assembly: Phillips screwdriver

Assembly Instructions 2/7

IMPORTANT

- Use a soft cloth between these parts and the floor.
- Do not use power tools above 8 volts to assemble.
- Do not tighten all bolts until each part is properly assembled.
- Keep Hex Wrench as bolts may need to be tightened in the future.

STEP 1

Attach Rails (D) and (E) to Middle Frame (F) with Wood Screws. (See Figure 1)

Note: A Phillips screwdriver 5" or less in length is recommended.

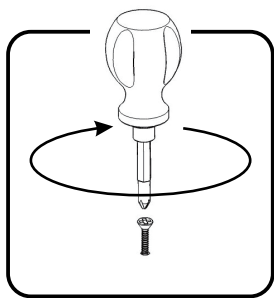
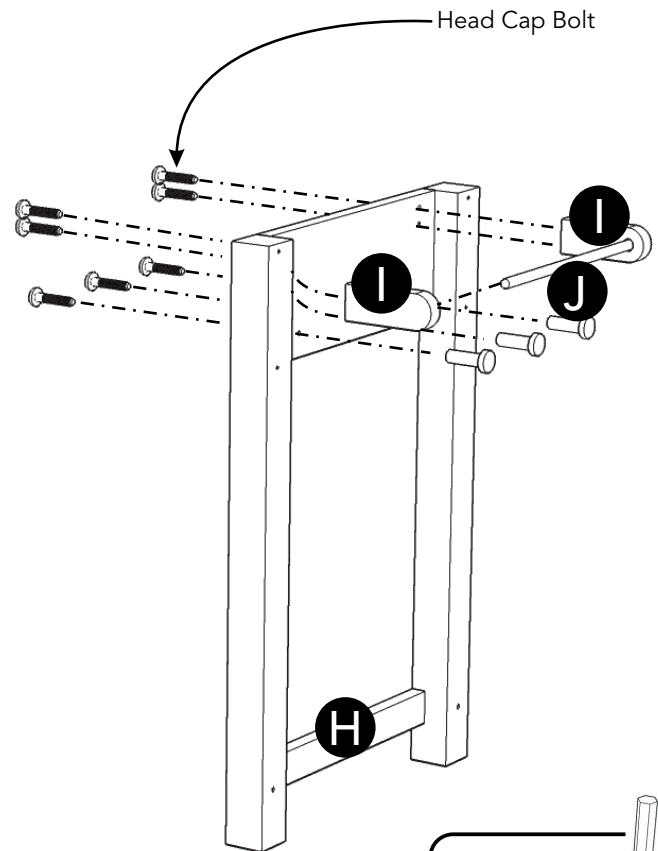
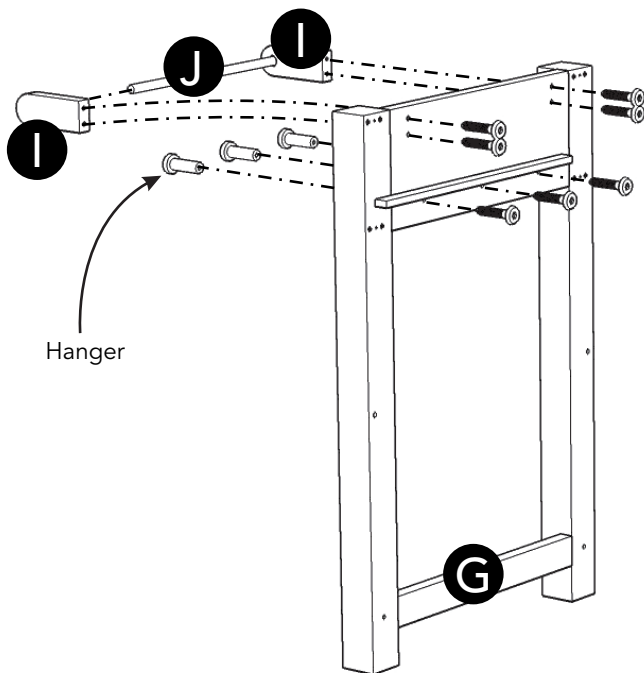
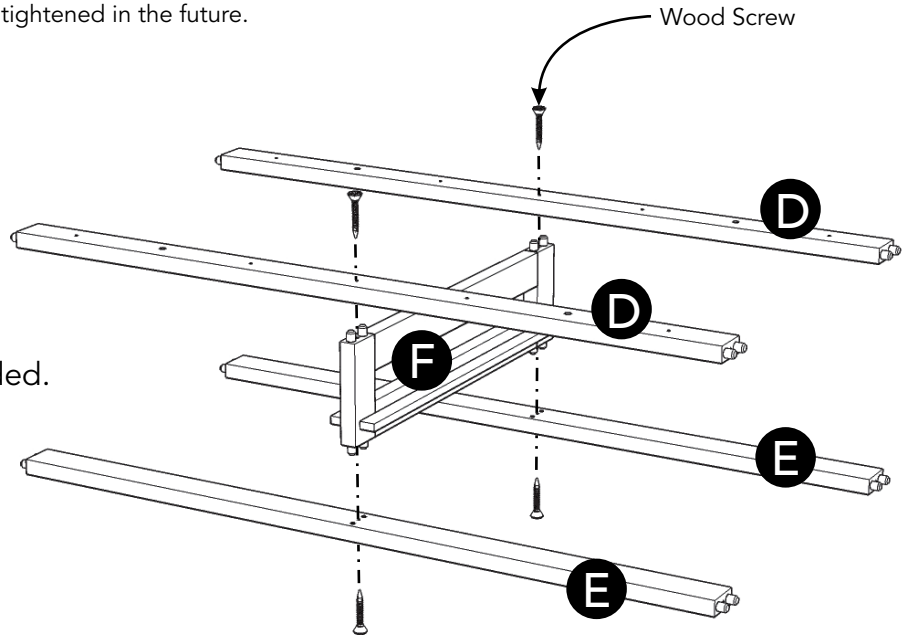


Figure 1



STEP 2

Insert Bars (J) into Handles (I).

Attach Handles (I) to Side Frames (G) and (H) with Head Cap Bolts. (See Figure 2)

Attach Hangers to Side Frames (G) and (H) with Head Cap Bolts.

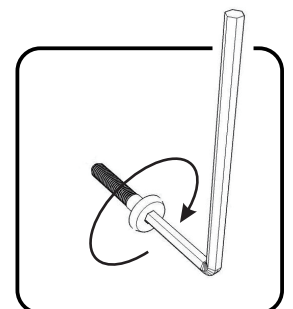


Figure 2

Assembly Instructions 3/7

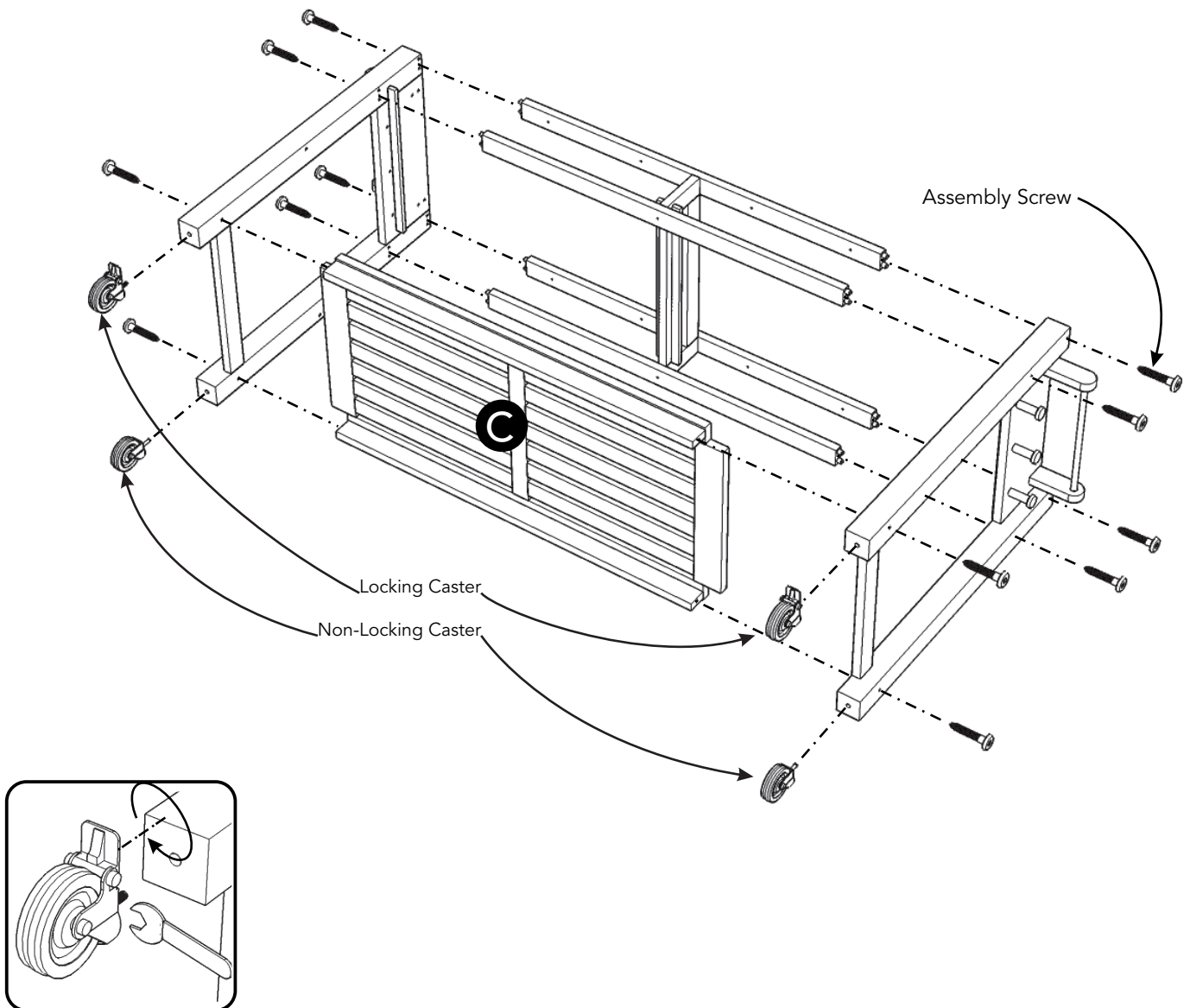


Figure 3

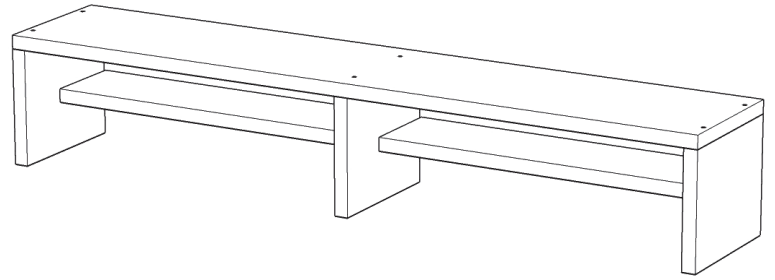
STEP 3

Attach unit from Step 1 and Base Frame (C) to side frames with Assembly Screws.

Attach Casters underneath unit with Locking Casters on front.
(See Figure 3)

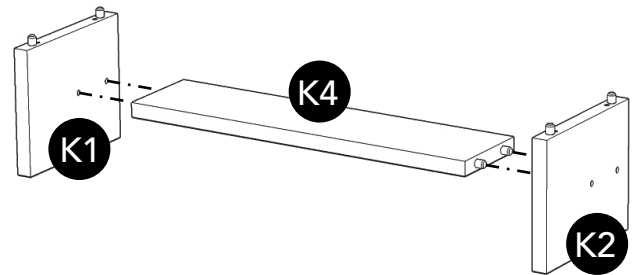
Assembly Instructions 4/7

Rack (K)



STEP 4

Attach Shelf (K4) to Side Panel (K1) and Middle Panel (K2).



STEP 5

Attach Shelf (K4) and Side Panel (K3) to unit.

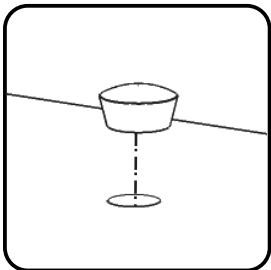
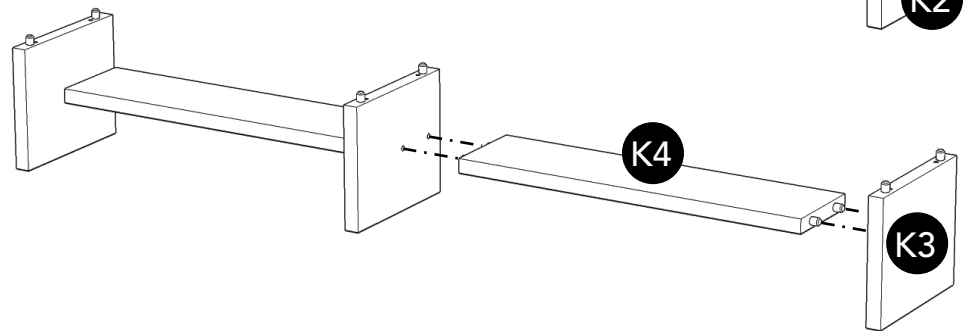
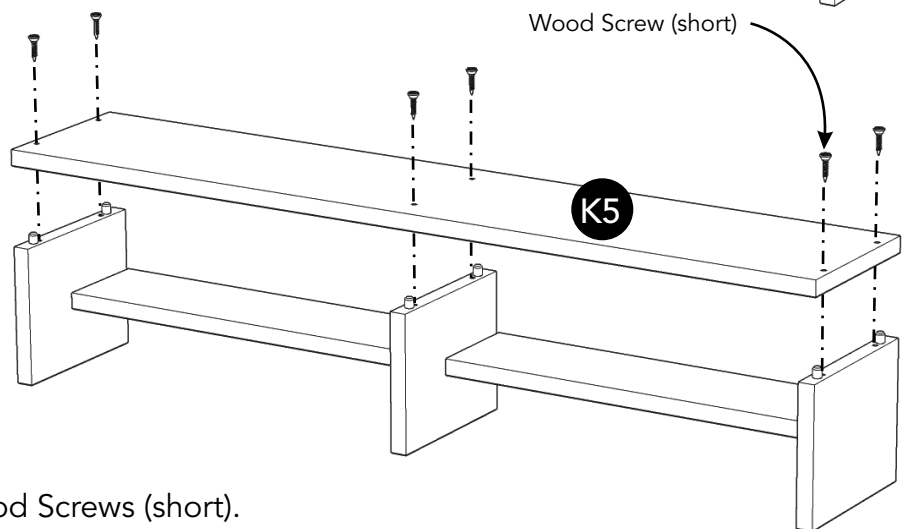


Figure 4

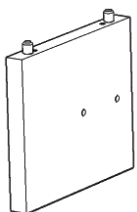
STEP 6

Attach Top (K5) to unit with Wood Screws (short).

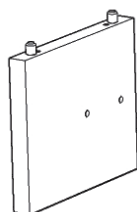
Cover all holes with Wood Plugs. (See Figure 4)



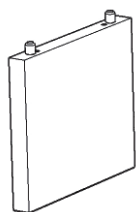
Part List



K1.
Side Panel
1 pc.



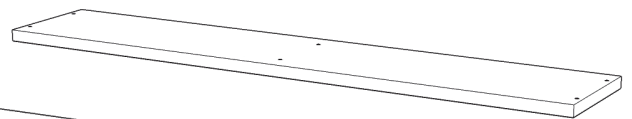
K2.
Middle Panel
1 pc.



K3.
Side Panel
1 pc.



K4.
Shelf
2 pcs.

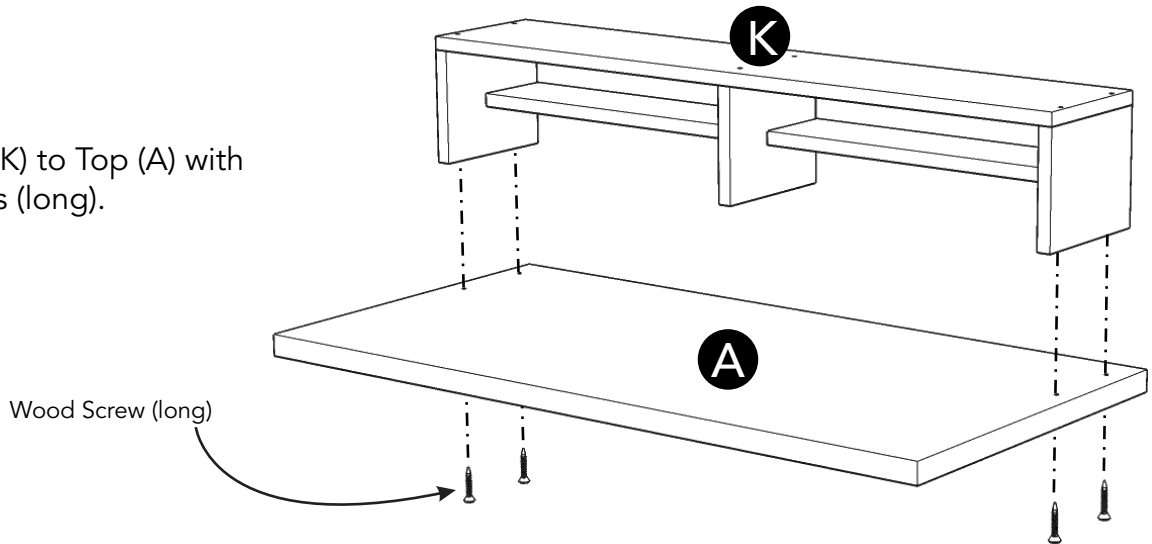


K5.
Top
1 pc.

Assembly Instructions 5/7

STEP 7

Attach Rack (K) to Top (A) with Wood Screws (long).

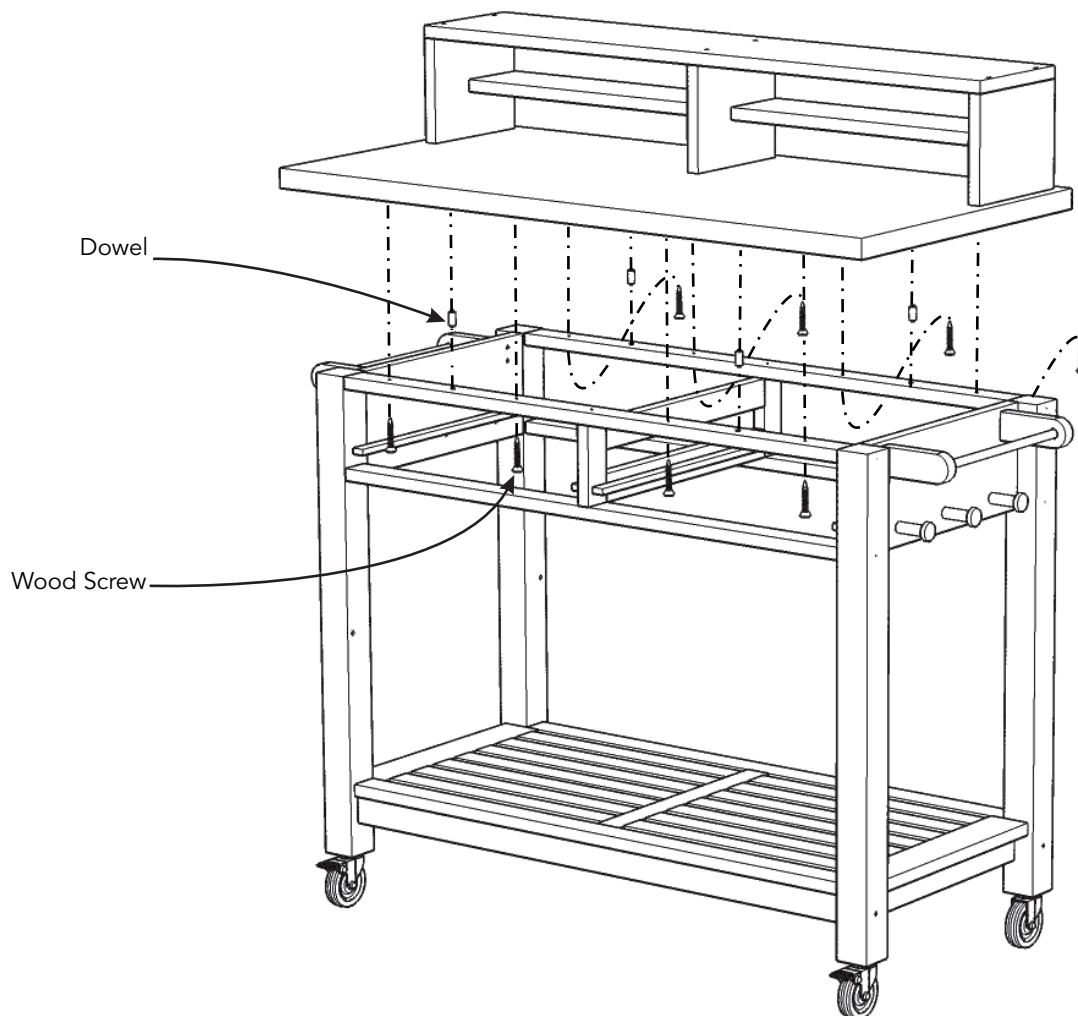


STEP 8

Turn unit from Step 3 to its upright position.

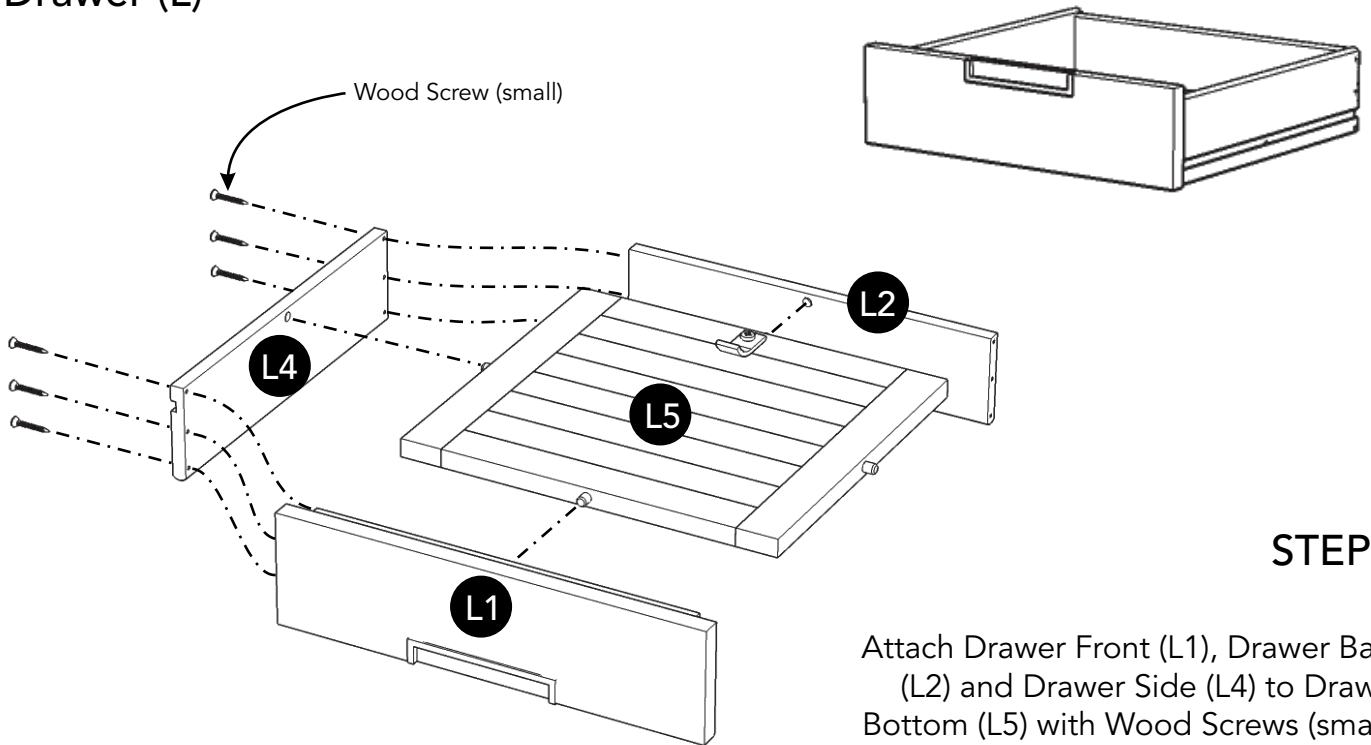
Attach unit from Step 7 to unit from Step 3 with Dowels and Wood Screws.

Note: A Phillips screwdriver 5" or less in length is recommended.



Assembly Instructions 6/7

Drawer (L)

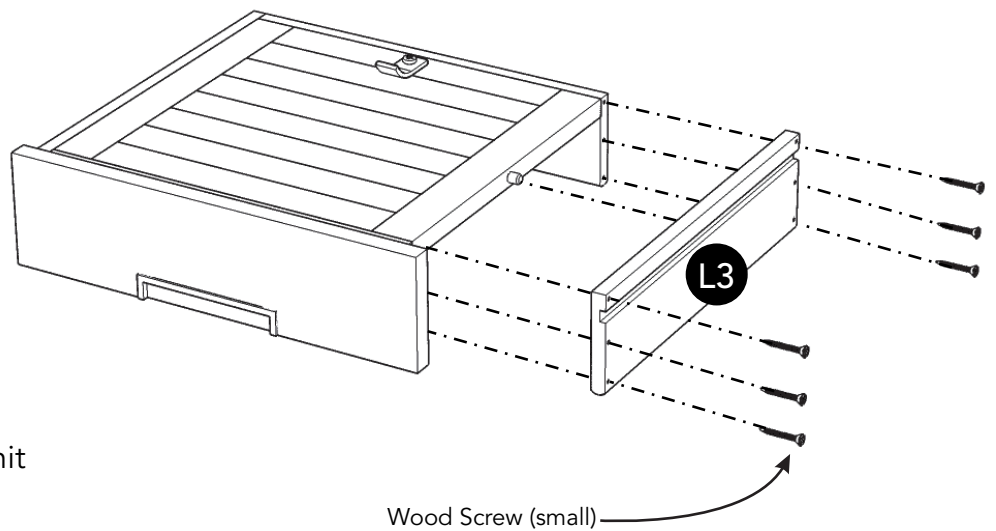


STEP 9

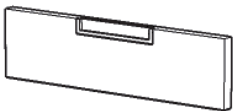
Attach Drawer Front (L1), Drawer Back (L2) and Drawer Side (L4) to Drawer Bottom (L5) with Wood Screws (small).

STEP 10

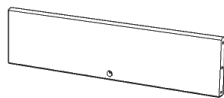
Attach Drawer Side (L3) to unit with Wood Screws (small).



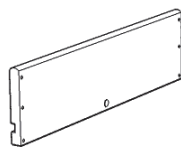
Part List



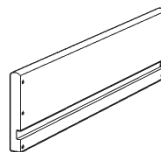
L1.
Drawer Front
2 pcs.



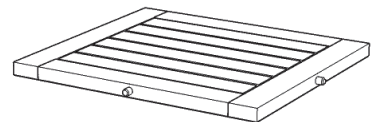
L2.
Drawer Back
2 pcs.



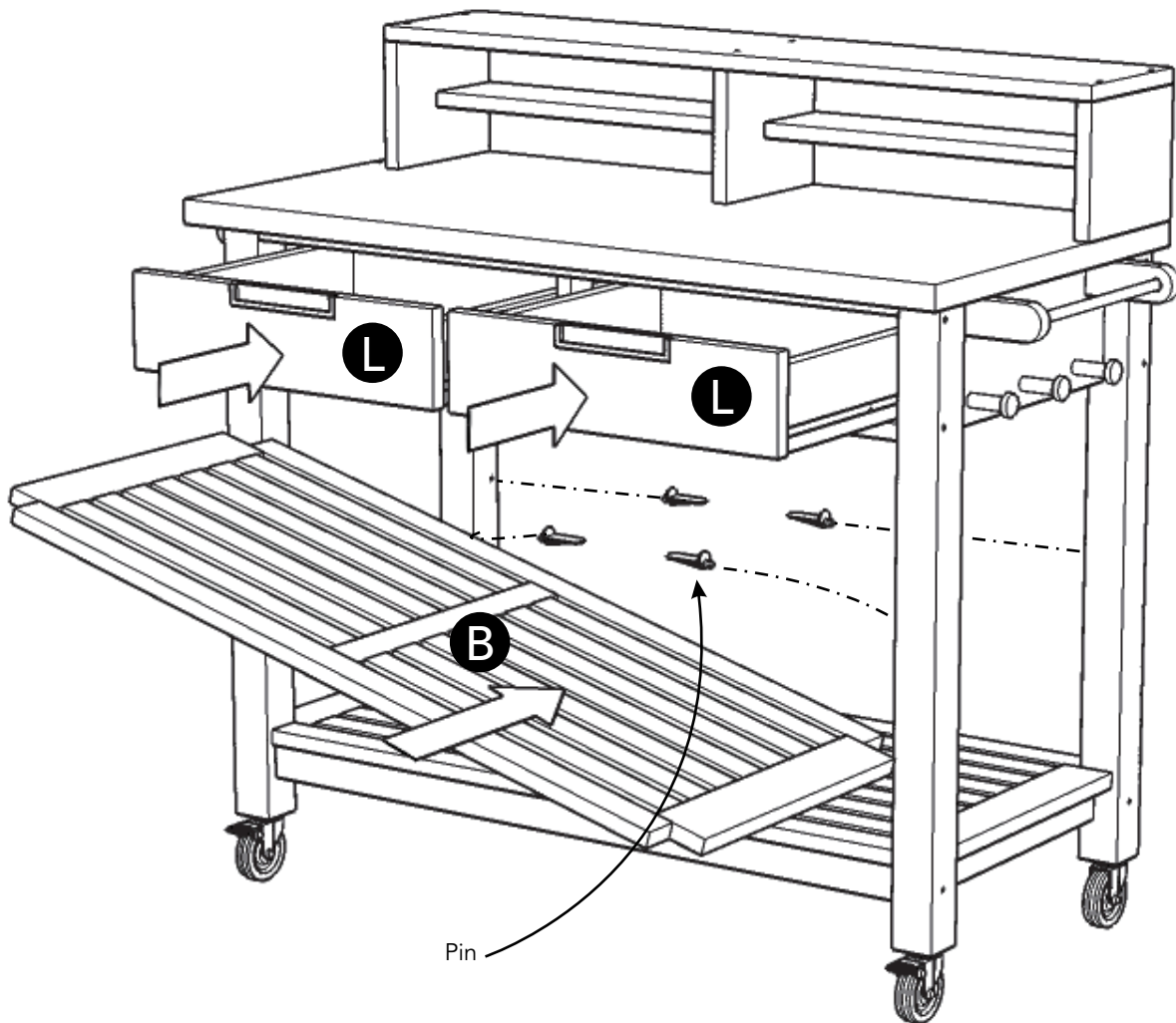
L3.
Drawer Side
2 pcs.



L4.
Drawer Side
2 pcs.



L5.
Drawer Bottom
2 pcs.



STEP 11

Insert Pins into side frames.

Place Shelf (B) into position.

Orientate stopper on bottom of Drawers (L) to front. (See Figure 5)

Slide Drawers (L) into position.

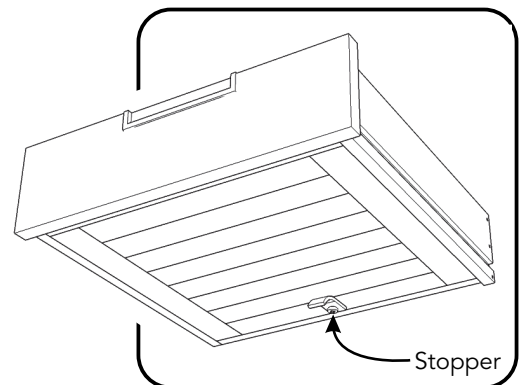


Figure 5

CARE INSTRUCTIONS

Advisory Notes

- Do not use power tools above 8 volts to assemble.
- Periodic structural checks of this furniture should be undertaken. Do not use if there are any doubts about its' fitness for purpose.
- Exercise care so as to not trap fingers in any of the hinged parts of this furniture.
- Always use on firm level ground, ensuring that all legs remain in contact with the ground.
- Do not stand on a chair or sit or stand on any other item.
- Do not let children play with this furniture.
- This furniture should be stored under cover during periods of adverse weather (wet or cold) and during winter. Clean and dry thoroughly before storage.

Tannin Exudation

Tannin is a naturally occurring substance which may exude from the surface of some wood species and may stain the surface of hard areas such as patios or decks. To clean tannin marks use a proprietary cleaning product or a water-based wood restorer containing oxalic acid. Stains must be removed within 1-2 days of them occurring. Care should be exercised to follow the manufacturer's guidelines of the cleaner used and test a small area first to determine its' effectiveness. This is especially important on wooden decking areas where the existing surface finish may be lifted due to the application of the cleaning agent. If decking has become discolored from the cleaning, it can be restored with a suitable wood finish.

Maintenance

In order to maintain the appearance of the wood, regular coatings of linseed oil must be applied. The frequency will depend on the weather conditions experienced.

- Refer to the manufacturer's guidelines of the linseed oil used.
- Apply the linseed oil with a clean cloth, wiping it directly onto the wood surface.
- Treat all surfaces of the furniture. Ensure that any hidden surfaces, such as those exposed when the furniture is turned upside down, are adequately treated. Care should be given to wipe the end grain, to all joints and to crevices that may have been caused by damage.
- Let the surface dry out. This can take 4-12 hours depending on weather conditions.
- Repeat the above steps with at least 2 more coats of oil. Extra coats may leave a semi-gloss sheen once the oil has dried, but excess oil can be wiped off with a clean cloth.
- **IMPORTANT:** Cloths with linseed oil may be a fire hazard. Immediately after use, saturate all cloths used for applying linseed oil with water and dispose of safely outside the home.

If left untreated, this furniture will turn a grayish color. Light sanding can restore the original color after which linseed oil can be applied. Fine surface cracks may occur over time from weathering, but these won't affect the structural integrity of the furniture.

Home Styles will provide replacements free of charge for missing or damaged hardware or parts within 30 days of purchase. Digital images of the defective parts may be required. If the product was not purchased from an authorized retail affiliate, Home Styles is under no obligation to provide replacement parts. Parts are not available for fully assembled items nor are parts available for sale. Replacements for missing or damaged hardware or parts may be requested at:

www.homestyles-furniture.com/customer-service/replacement-parts

Home Styles Customer Service: www.homestyles-furniture.com,
servicedesk@homestyles-furniture.com, 888-680-7460, 877-831-0319