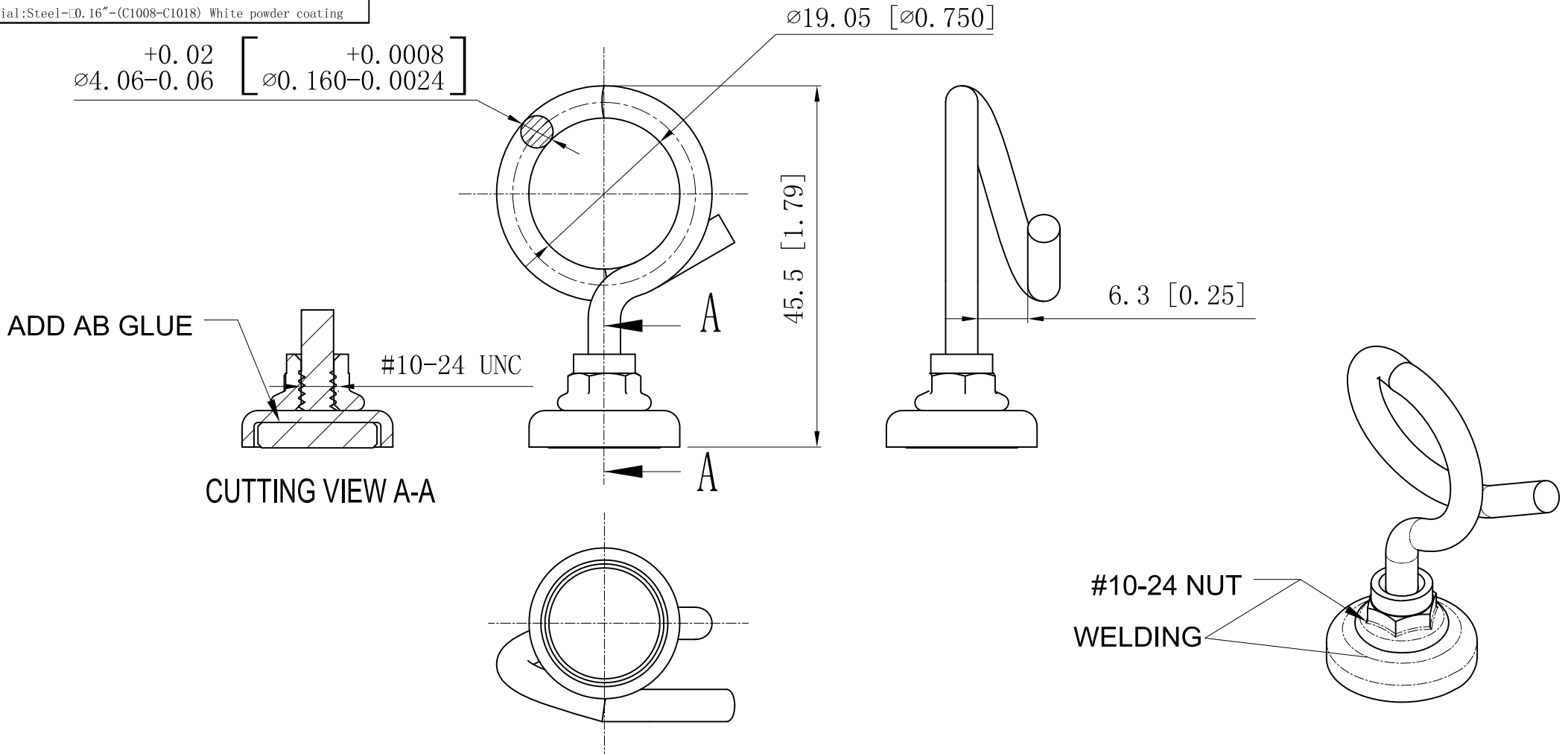


SIDES	BOTTOM
Material: Steel-0.16"-(C1008-C1018) White powder coating	



DESCRIPTION
TRADE REFERENCE TERMS

This data sheet is for reference only. GARVIN INDUSTRIES reserves the right to make changes to the design without prior notice.

STANDARD PACKING	<h1 style="text-align: center;">GARVIN INDUSTRIES</h1>		
	<h2 style="text-align: center;">MACHINE-SCREW BRIDLE RIGS</h2>		
	SIZE	DWG NO.	REV
	A4	BRM-75WH	
DATA SHEET			