

LIMITED LIFETIME WARRANTY

Your Dynarex Product is warrantied to be free of defects in materials and workmanship for the lifetime of the product for the original purchaser. This item was built to exacting standards and carefully inspected prior to shipment. This Limited Lifetime Warranty is an expression of our confidence in the materials and workmanship of our products and our assurance to the consumer of years of dependable service.

The Warranty shall not apply under the following conditions:

- Problems arising from normal wear
- Problems arising from failure to adhere to the product instructions
- Problems arising from misuse, negligence, accident or improper operation, maintenance or storage
- Problems arising from modifications or unauthorized repairs, parts or attachments
- Products where the serial number has been removed or defaced
- Problems with non-durable components, such as rubber accessories, casters, and grips, which are subject to normal wear and need periodic replacement

Dynarex shall not be liable for any consequential or incidental damages whatsoever. Dynarex shall repair or replace defective products at its option. The foregoing warranty is exclusive and in lieu of other express warranties, if any, including the implied warranties of merchantability and fitness of a particular purpose. The remedy for any violation of the implied warranty shall be limited to repair or replacement of the defective product pursuant to the terms contained herein.

If you have a question about your Dynarex device or this warranty, please contact an authorized Dynarex dealer.



⚠ WARNING:
Cancer and Reproductive Harm
www.P65Warnings.ca.gov



SYMBOL GLOSSARY

For an explanation of symbols used in Dynarex packaging, visit dynarex.com/symbols.php

R220721

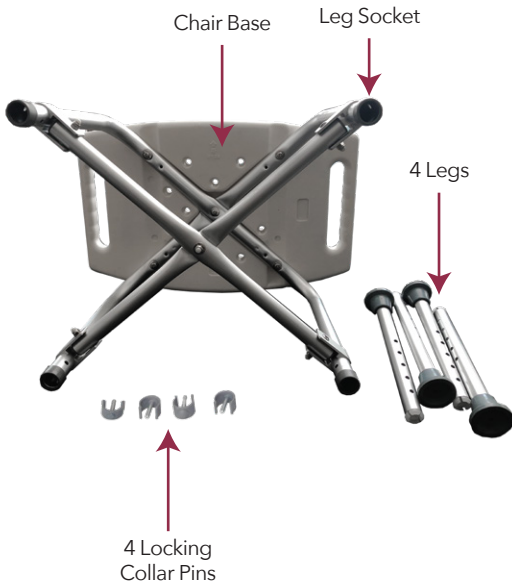


Bariatric Shower Chair without Back

Reorder No. 10325

Bari+Max
Support Where You Need It

PARTS LIST



⚠ WARNING

1. Inspect all parts for shipping damage before assembly. If there is shipping damage - **DO NOT USE**. Contact dealer/carrier for further instructions.
2. Make certain that the locking collar pin fully protrudes through the same respective holes of each leg extension. This will ensure that the leg extensions are securely locked in position and an even height is achieved.
3. Ensure ALL screws, nuts and/or bolts are tightened.
4. Check the rubber tips on the leg extensions for rips, wear or if they are missing. Immediately replace any or all if any of these imperfections exist.
5. All four leg extensions with rubber tips **MUST** touch the floor simultaneously.
6. **DO NOT** stand on chair.

NOTE: To maintain the beauty of the original finish, clean with mild soap and rinse with warm water. Wipe bath seat dry after each use.

ASSEMBLY INSTRUCTIONS

READ INSTRUCTIONS CAREFULLY
BEFORE INSTALLING.

1. Lay the chair base with the seat surface facing down and the leg sockets facing up.
2. Insert chair leg into the leg socket. Secure the leg in place using the locking collar pin. Be sure the locking collar pin goes through the tubing and protrudes on the opposite side.
3. Repeat step 2 with the other three legs.

Weight capacity 500 lb. (226 kg)