

Buffet



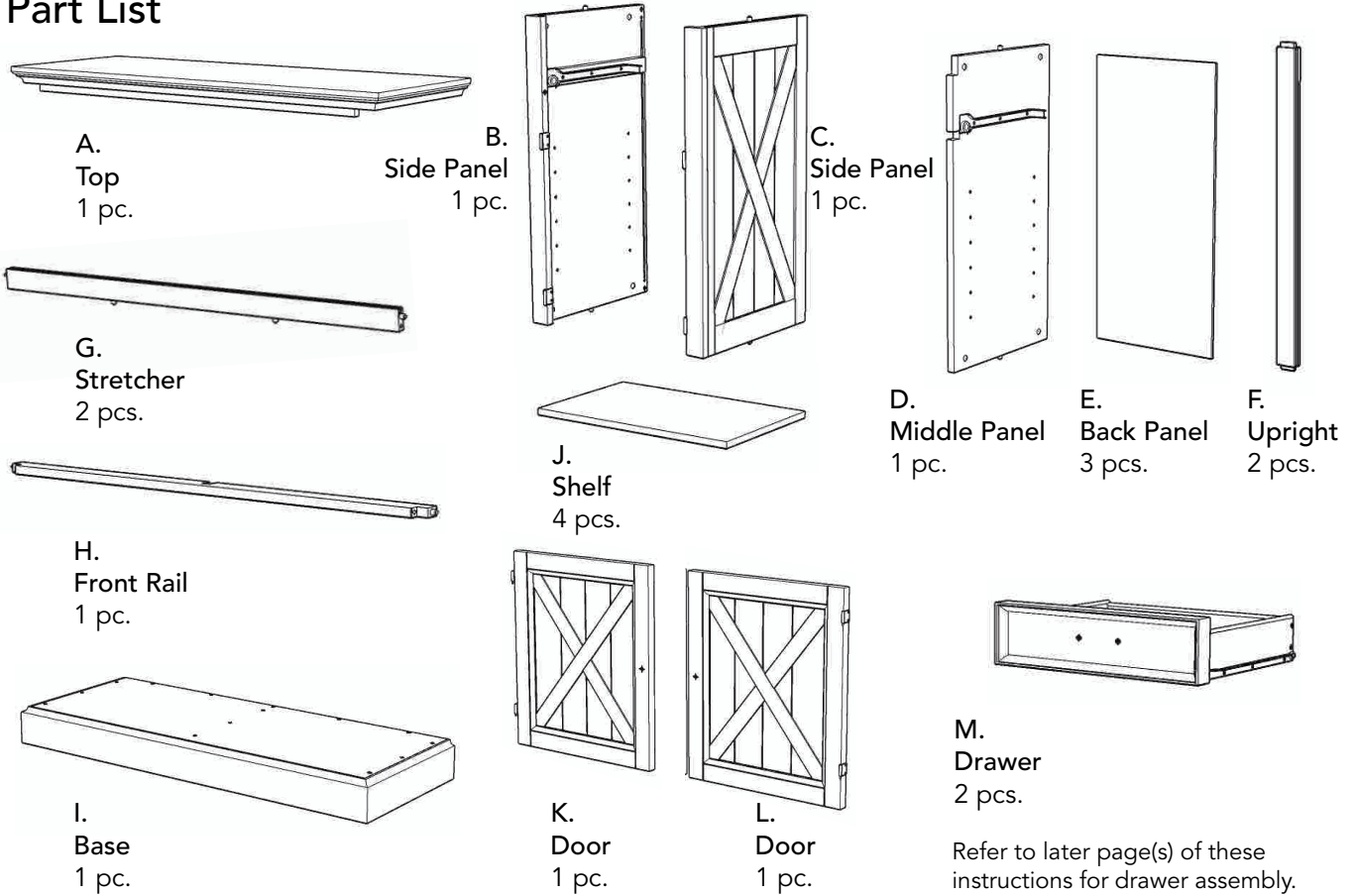
IMPORTANT

Carefully remove all the parts from the carton and place them individually on a soft cloth to prevent scratches or other damage.

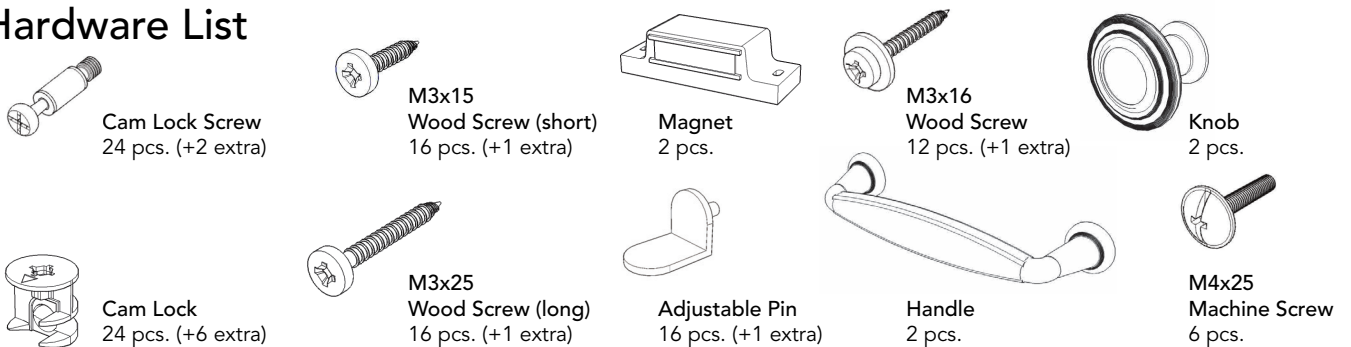
Carefully and strictly follow these assembly instructions to ensure a completed product as designed.

Do not use power tools above 8 volts to assemble.

Part List



Hardware List



Tool(s) required for assembly: Phillips screwdriver, Level, Drill (8 volts or less), 3/8" Drill Bit

Home Styles Customer Service: www.homestyles-furniture.com,
servicedesk@homestyles-furniture.com, 888-680-7460, 877-831-0319

Assembly Instructions 2/6

IMPORTANT

- Use a soft cloth between these parts and the floor.
- Do not use power tools above 8 volts to assemble.
- Do not tighten all the screws until each part is properly assembled.
- The unit must be level to work properly. Use the included adjustable levelers to level.

STEP 1

Insert Cam Lock Screws into pre-drilled holes in Top (A), Side Panels (B), (C) and Base (I), then tighten. (See Figure 1)

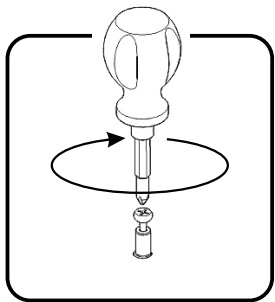
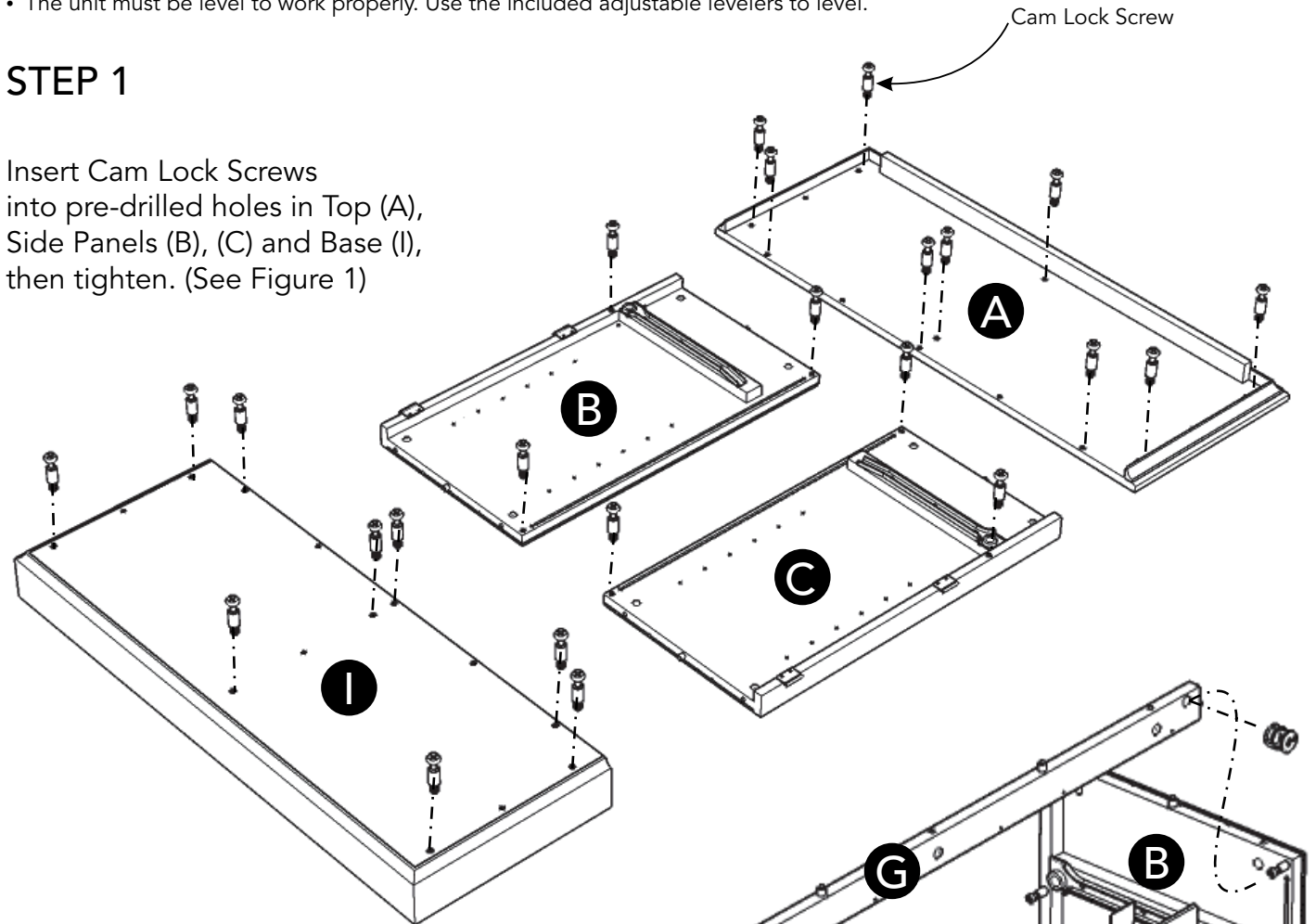


Figure 1

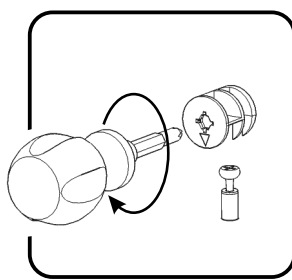


Figure 2

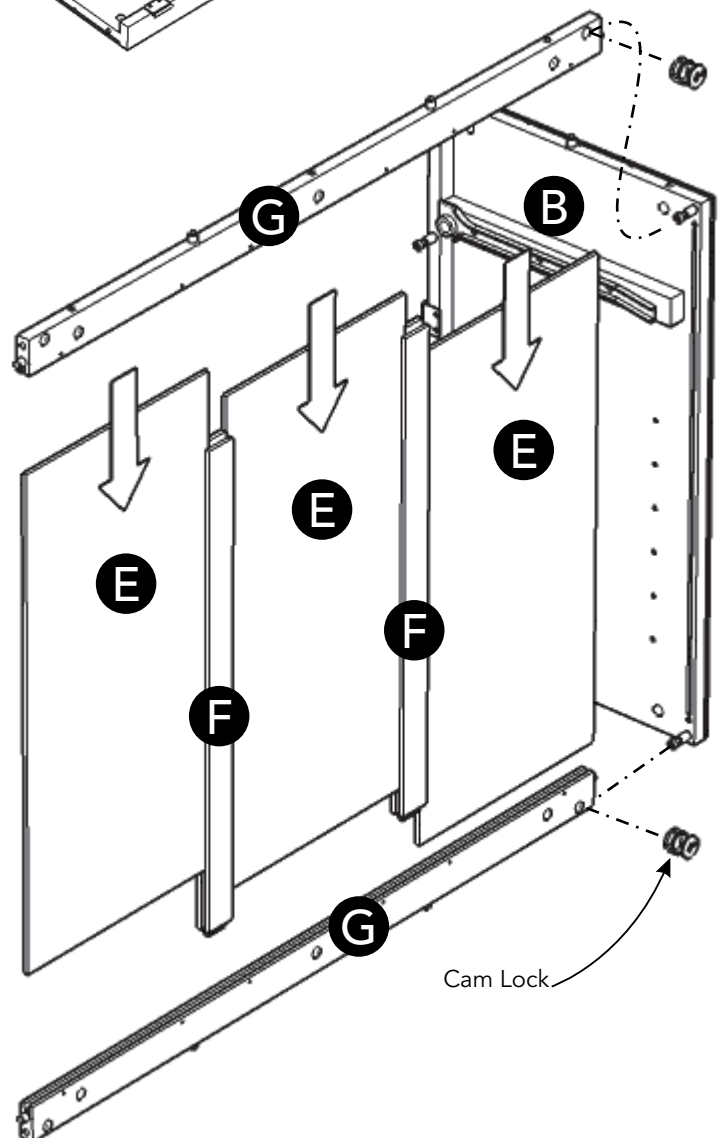
STEP 2

Attach Stretcher (G) to Side Panel (B) with Cam Lock. (See Figure 2)

Attach Uprights (F) to unit.

Slide Back Panels (E) into position.

Attach Stretcher (G) to unit with Cam Lock.



Assembly Instructions 3/6

STEP 3

Attach Magnets to Front Rail (H) with Wood Screws (short) into pre-drilled holes. (See Figure 3)

Attach Middle Panel (D), Front Rail (H) and Side Panel (C) to unit with Cam Locks.

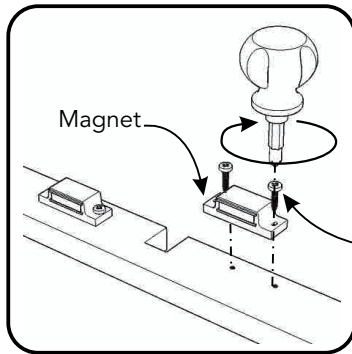
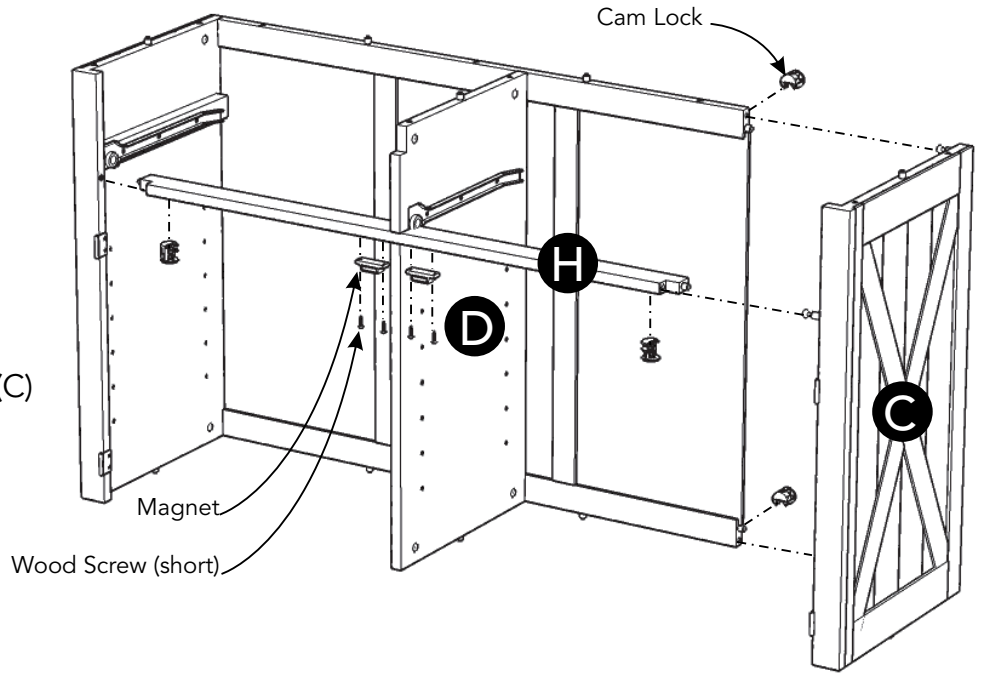
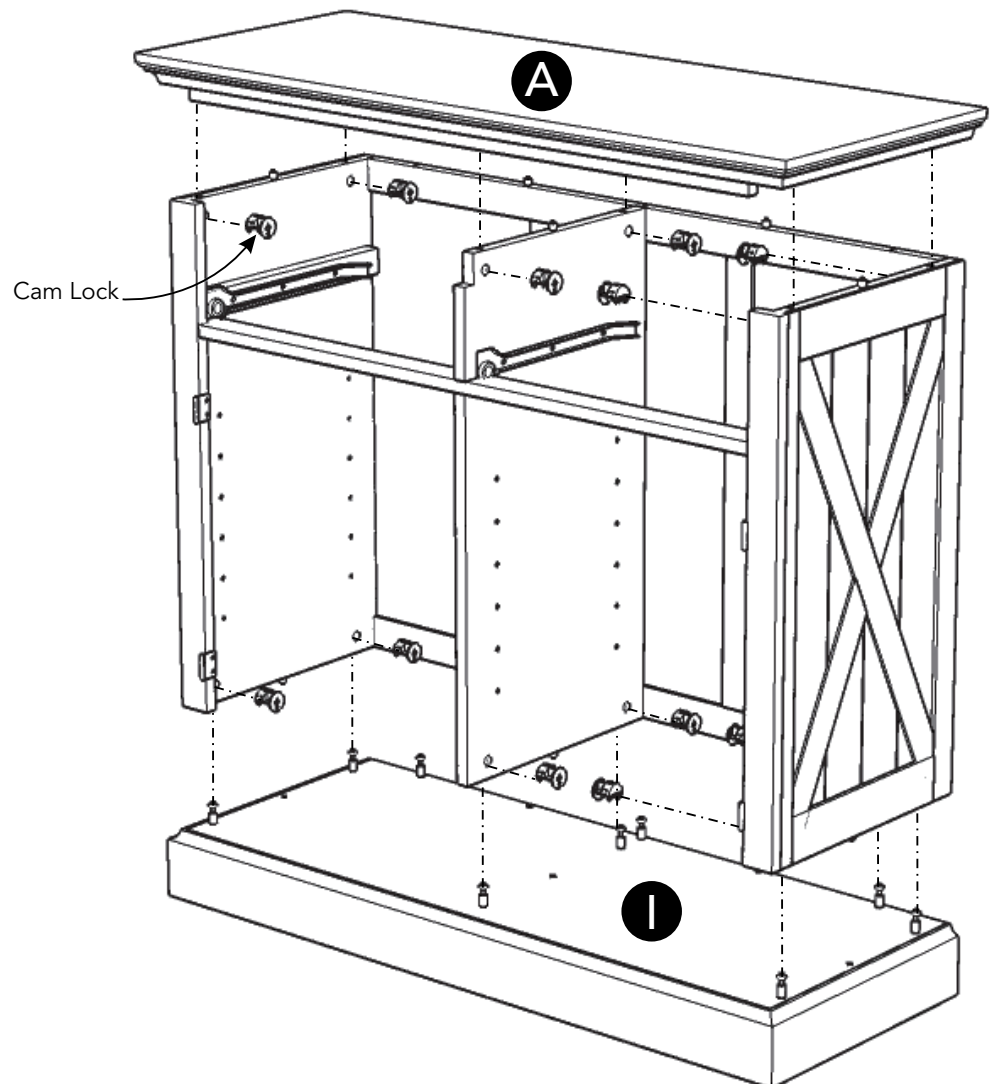


Figure 3

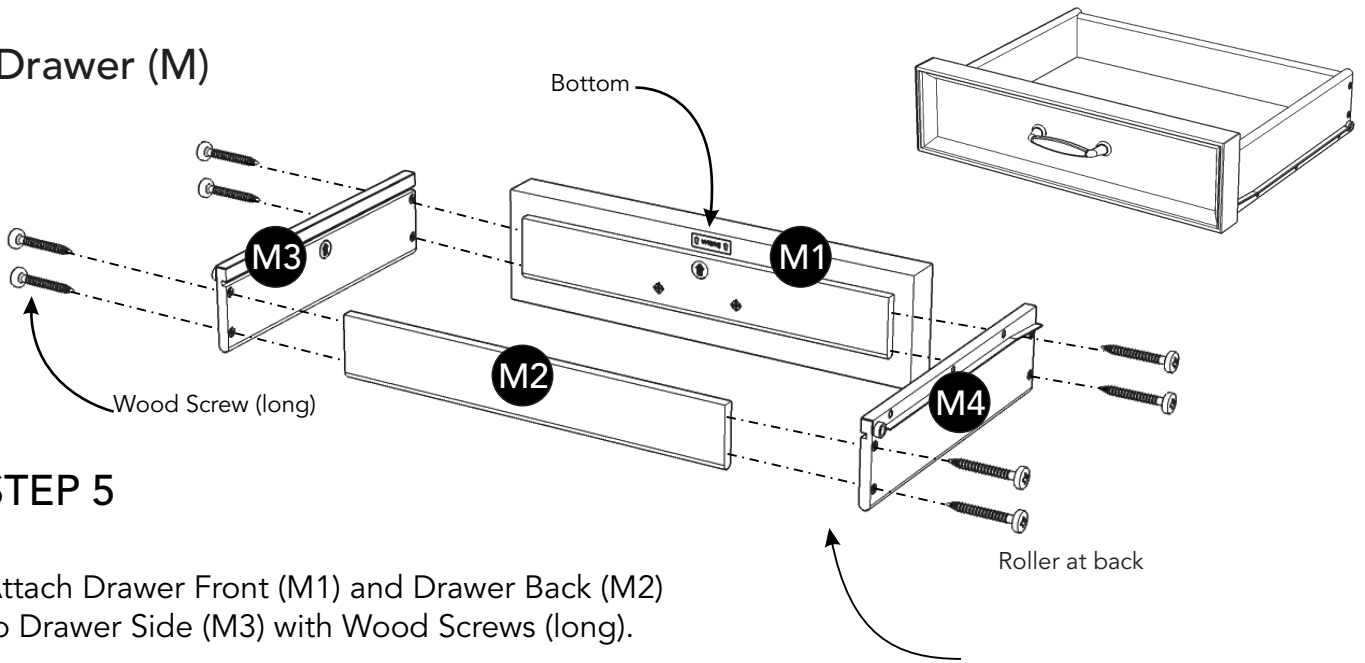


STEP 4

Attach Base (I) and Top (A) to unit with Cam Locks.

Assembly Instructions 4/6

Drawer (M)



STEP 5

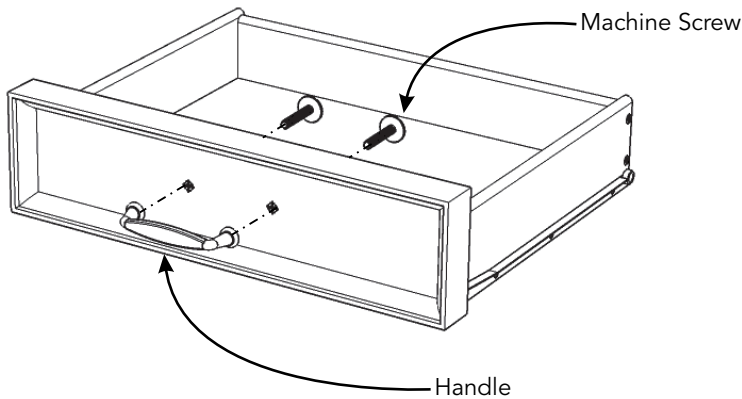
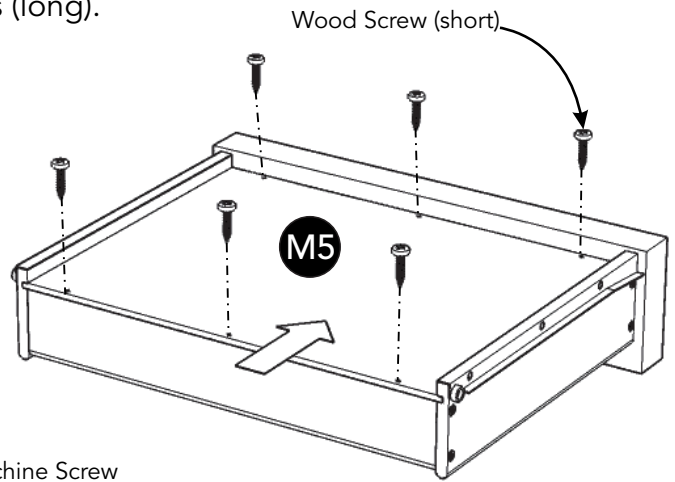
Attach Drawer Front (M1) and Drawer Back (M2) to Drawer Side (M3) with Wood Screws (long).

Attach Drawer Side (M4) to unit with Wood Screws (long).

STEP 6

Slide Drawer Bottom (M5) into groove.

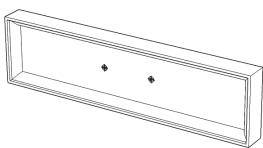
Attach Drawer Bottom (M5) to unit with Wood Screws (short).



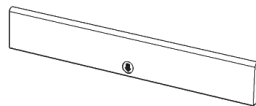
STEP 7

Attach Handle with Machine Screws.

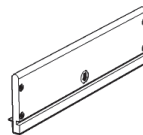
Part List



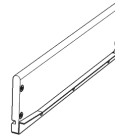
M1.
Drawer Front
2 pcs.



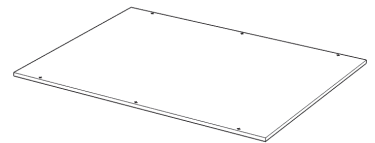
M2.
Drawer Back
2 pcs.



M3.
Drawer Side
2 pcs.

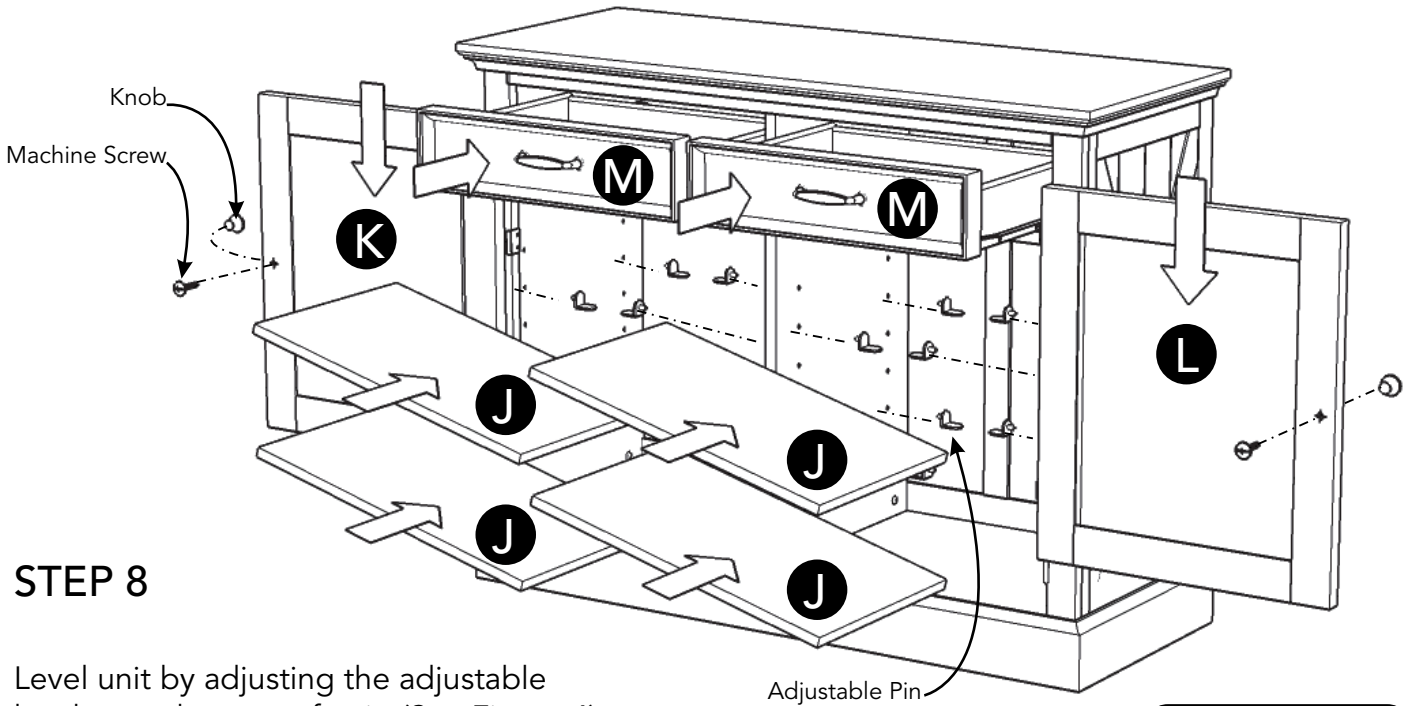


M4.
Drawer Side
2 pcs.



M5.
Drawer Bottom
2 pcs.

Assembly Instructions 5/6



STEP 8

Level unit by adjusting the adjustable levelers on bottom of unit. (See Figure 4)

Insert Adjustable Pins into middle panel and side panels at desired level. (See Figure 5)

Slide Drawers (M) and Shelves (J) into position.

Attach Doors (K) and (L) to unit by sliding door hinges into side panels hinges. (See Figure 6)

Attach Knobs to Doors (K) and (L) with Machine Screws. (See Figure 7)

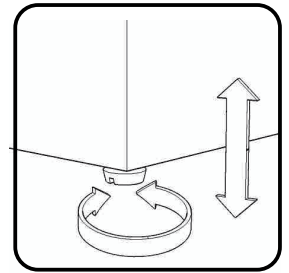


Figure 4

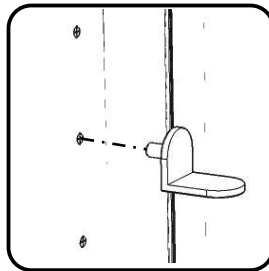


Figure 5

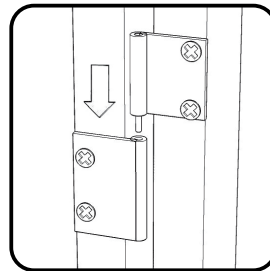


Figure 6

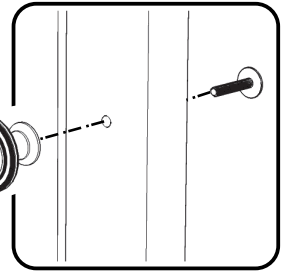


Figure 7

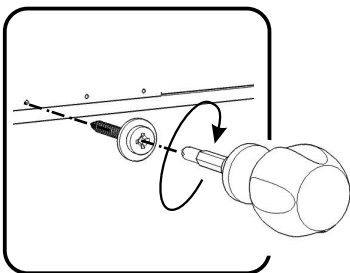
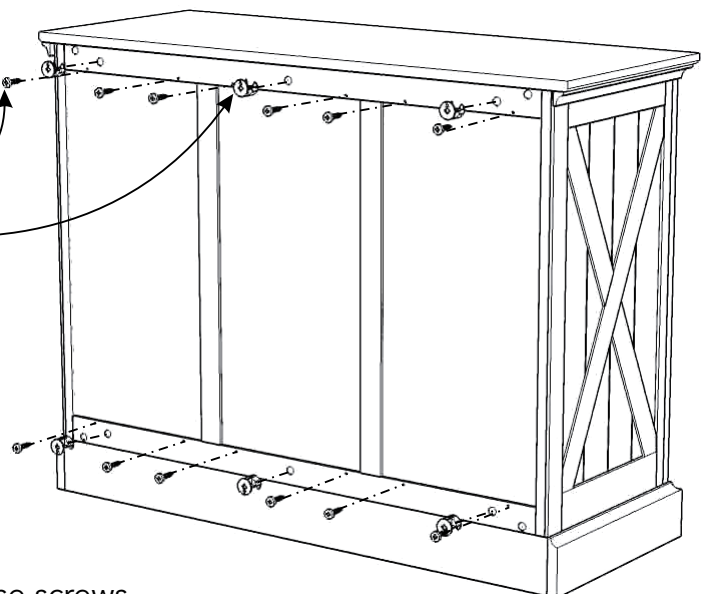


Figure 8

Wood Screw

Cam Lock



STEP 9

Insert Cam Locks into unit and tighten.

Insert Wood Screws into pre-drilled holes in unit, then tighten. (See Figure 8)

Note: Unit must be level before tightening these screws.

Assembly Instructions 6/6

IMPORTANT

- To help reduce the risk of the unit tipping over, the Tipover Restraint must be installed following these instructions exactly.

STEP 10

Place unit at desired location.

Drill a 3/8" hole in wall in-line with the pre-drilled hole at top of unit.

Move unit.

Insert Anchor into the wall hole and attach Bracket with Wall Screw.

Attach Bracket at pre-drilled hole at top of unit with Wood Screw.

Move unit back into place.

Slide Tipover Restraint through Bracket on wall and Bracket on unit.
(See Figure 9)

Put tie end of Tipover Restraint into lock end of Tipover Restraint and pull until tight.

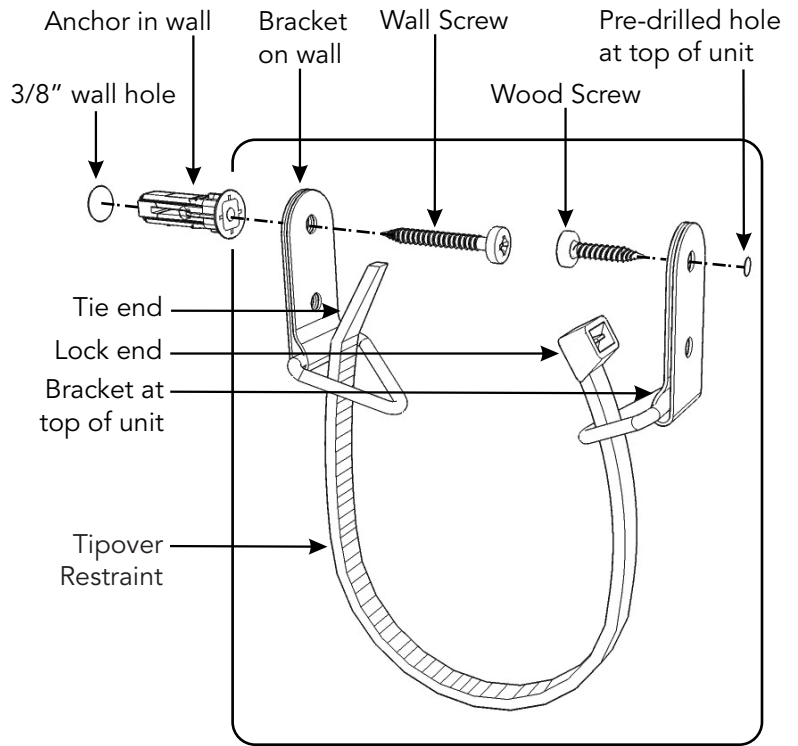
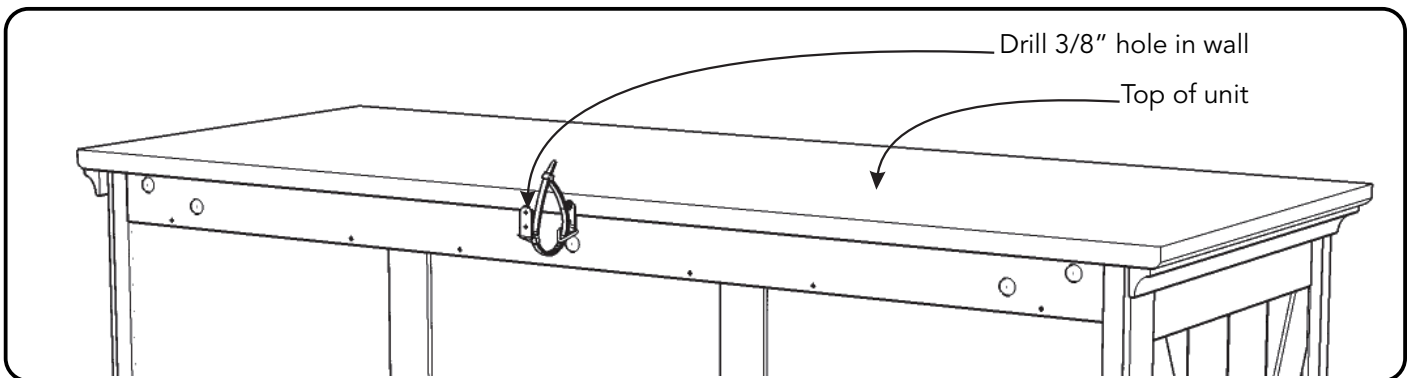
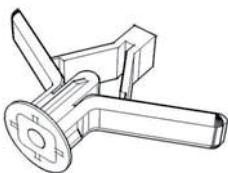


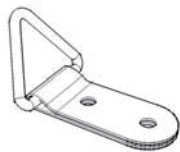
Figure 9



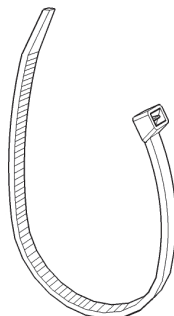
Hardware List



Anchor
1 pc. (+1 extra)



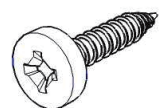
Bracket
2 pcs. (+1 extra)



Tipover Restraint
1 pc. (+1 extra)



M3.5x40
Wall Screw
1 pc. (+1 extra)



M3.5x16
Wood Screw
1 pc. (+1 extra)

CARE INSTRUCTIONS

NEVER

allow liquids to remain on furniture.
Absorption causes parts to warp
and split and finishes to delaminate.

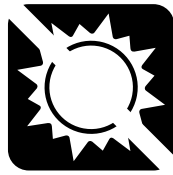
NEVER

use glass cleaners on
finished furniture. Ammonia
chemically attacks the finish.



Do not use power tools
above 8 volts to assemble.

**PREVENT
CRACKING**



Do not place
in direct sunlight.

**PREVENT
FADING**



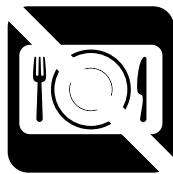
Do not write
directly on surface.

**PREVENT
MARKING**



Do not place hot
objects on surface.

**PREVENT
FINISH DAMAGE**



Do not use rubber
based placemats.

**PREVENT
DISCOLORING**



Do not use commercial
waxes and polishes.

**PREVENT
YELLOWING**

CLEAN

with a soft cloth moistened
in lukewarm soap and water.
Buff with a dry clean cloth.



Home Styles will provide replacements free of charge for missing or damaged hardware or parts within 30 days of purchase. Digital images of the defective parts may be required. If the product was not purchased from an authorized retail affiliate, Home Styles is under no obligation to provide replacement parts. Parts are not available for fully assembled items nor are parts available for sale. Replacements for missing or damaged hardware or parts may be requested at:

www.homestyles-furniture.com/customer-service/replacement-parts

Home Styles Customer Service: www.homestyles-furniture.com,
servicedesk@homestyles-furniture.com, 888-680-7460, 877-831-0319