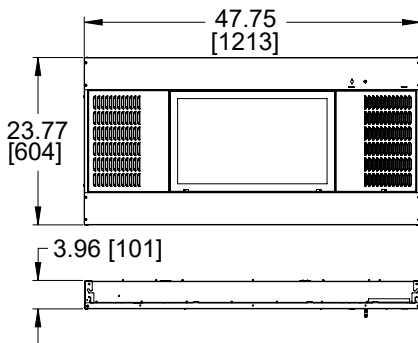


## HIGHLIGHTS

- Concealed UV air treatment chamber integrated into a 2x4 (0.6M x 1.2M) illuminated troffer allowing use in occupied spaces
- Engineered with advanced UV-C based pathogen control technology powered by UV Angel Clean Air™
- Designed to operate without interruption 24/7/365
- Air is circulated through the UV-C chamber, treated with the high-intensity UV-C light to inactivate bacteria, fungus, and viruses, and returned to room for a cleaner environment
- Air treatment chamber operates independently of the LED ambient light
- Installation available for drop-in grid ceiling, recessed hard ceiling, surface mount, or suspended
- Discreet down facing status indicator light for easy sight verification of operation or maintenance
- Tool-less UV lamp and filter service from below without need to access ceiling plenum



## DIMENSIONS



## COMPANION LUMINAIRE(S)



**HFLV NDN**  
UV Air Disinfection Luminaire without Downlight

## PATHOGEN REDUCTION EFFECTIVENESS

### Average Pathogen Reduction Over Specific Control Time Within 800 ft<sup>3</sup> (22.7M<sup>3</sup>) Space

Pathogen	Calculated Percent Reduction*	
	Control Time 1 Hour	Control Time 4 Hours
Staphylococcus aureus (S. Aureus) ATCC 6538	83.6%	99.9%
Cladosporium cladosporioides (Cladosporium) ATCC 16022	61.1%	97.7%
MS2 Bacteriophage (MS2) ATCC 15597-B1	65.8%	-----

### Third Party Clinical Validation

The pathogen reduction effectiveness of an equivalent to the EvoAIR UV™ HFLV UV Air Disinfection unit using UV Angel Clean Air™ technology has been tested by independent accredited third-party testing lab (Microchem Laboratory, Round Rock, TX) and a data analysis of the test results has been performed by Paul Arthur Jensen, PhD, PE, CIH (Final Approach Inc., Port Orange, FL) to calculate the percent pathogen reduction listed above.

Reference: Study ID Number: NG13519-A1 August 2019, "Evaluation of Bioaerosols and UV Angel's Prototype Device"

Reference: Study ID Number: NG13726 October 2019, "Evaluation of Bioaerosols and UV Angel's Prototype Device"

\*Reference: April 2021, "Review, Analysis, and Conclusions: Microchem Laboratory Study Reports Titled "Evaluation of Bioaerosols and UV Angel's Prototype Device" (Report Numbers NG13519-A1 and NG13726)"

## PERFORMANCE DATA

Lumen values are from photometric tests performed in accordance with IESNA LM-79-08. Actual performance may differ as a result of end-user environment and application. Refer to website for the latest IES file updates.

Fixture	CCT	Delivered Lumens	LED Input Watts	Lumens/Watt
HFLV	30K	5822	58	100
	35K	5946	58	103
	40K	6457	58	111
	50K	6341	58	109

### CATALOG NUMBER

Example: HFLV DN UV254 MVOLT 40K 80CRI GWAM

Series	Light Function	Wavelength	Voltage	LED Color Temperature	LED Color Rendering
HFLV Healthcare UV Air Disinfection Luminaire	DN Downlight	UV254 Ultraviolet 254nm	MVOLT 120-277 Volt	30K 3000K 35K 3500K 40K 4000K 50K 5000K	80CRI 80CRI

Frame Kit	Mount Adapter	Finish	US Made
<p>&lt;blank&gt; Not Required</p> <p>PFHFLV Plaster Frame Kit for HFLV (Hard Ceiling Mount)</p>	<p>&lt;blank&gt; Not Required</p> <p>HFLSKGWAM Surface Mount Kit Gloss White Antimicrobial Finish</p> <p>HFLSKMBKAM Surface Mount Kit Matte Black Antimicrobial Finish</p> <p>HFLCK72 Suspension Cable Kit 72" (1.8M) Long (Includes Surface Mount Kit &amp; Cable Kit)</p> <p>HFLCK120 Suspension Cable Kit 120" (3.1M) Long (Includes Surface Mount Kit &amp; Cable Kit)</p> <p>HFLCK180 Suspension Cable Kit 180" (4.6M) Long (Includes Surface Mount Kit &amp; Cable Kit)</p>	<p>GWAM Gloss White Antimicrobial</p> <p>MBKAM Matte Black Antimicrobial</p>	<p>&lt;blank&gt; Not Required</p> <p>BAA* Buy America(n) Act Compliant</p> <p><i>*Applies to 35K &amp; 40K w/ 80CRI. All other CCT options are automatically BAA compliant.</i></p>

For sale only in the United States of America and Mexico.

Meets California ozone emissions limits. California Air Resources Board (CARB) certified.

### REPLACEMENT PART ORDERING

Example: RK8HFLV KIT

Series	Part
RK8HFLV HFLV Replacement Parts	<p>FILTER Filter Only</p> <p>LAMP UV254 Lamp Only</p> <p>KIT Filter &amp; UV254 Lamp</p>

### nLIGHT® CONTROLS

nLight® UV controls solutions are available for specific applications, please contact your Acuity Brands representative for more information.

### SPECIFICATIONS

#### Housing

Aluminum housing construction.

#### Lens

Non-yellowing acrylic downlight panel

#### Finish

Painted in durable polyester powder coat paint with antimicrobial additive. Gloss white and matte black colors available.

#### Mounting

Lay-in grid mounting standard for recess T-grid acoustical ceilings. Fits standard 9/16" (14.3mm), 15/16" (23.8mm), and 1" (25.4mm) acoustical ceiling grids. Hard ceiling recessed mounting requires plaster frame kit. Hard ceiling surface mounting requires surface mount kit. Suspension cable kits also available for use with the surface mount kit. All kits require assembly in the field. Reference installation instructions for more information.

#### Source

UV: UV-C, TUV PL-L 95 watt lamp with 4-pin 2G11 base, 90 watt dosage at 254 nanometers 300J/m<sup>2</sup> (Lamp supplied with HFLV luminaire purchase.)

LED: Four (4) static white color temperatures: 3000K, 3500K, 4000K, 5000K; standard CRI >80. All LED within a 2.5 step MacAdam ellipse.

#### Expected Lamp Life

UV: 9000 hours per Philips Lighting TUV PL-L 95W/4P HO lamp technical data

LED: Rated 60,000 hours (L80) at 25° ambient temperature.

#### Ballast

Integral 95 watt Class P ballast developed for use with UV

#### Driver

Integral 50 watt Class P 1% dimming driver

#### Power Supply (Fan)

Integral 12 VDC Class 2 power supply

#### Voltage

120-277 VAC in 50/60Hz

#### Input Current (Maximum)

1.0A at 120V for UV system; 0.45A for LED downlight

0.44A at 277V for UV system; 0.20A for LED downlight

#### Filter

Polyester filter

#### Air Flow Rate

50 CFM (1.4 CMM)

#### Sound

35-42 dB in laboratory chamber. Actual sound level will vary depending on application. Typical office is 47-49 dB.

#### Wattage

115 watts for UV system

58 watts for LED downlight

#### Circuits

Dual circuit standard with shared neutral

#### Controls

0-10V dimming capable with infield wiring procedure. Consult installation instructions for additional guidelines and details. nLight® controls solutions are available for specific applications, please contact your Acuity Brands representative for more information.

#### Fixture Weight

(Weight may vary depending upon options or accessories selected.)

HFLV DN: 22.00 lbs (9.98 kg)

#### Environment

Indoor dry location only

#### Ambient Operating Temperature

+68°F (+20°C) to +122°F (+50°C)

#### Ambient Operating Humidity

<80% relative humidity non-condensing

#### Disclaimer

All references to "disinfection" are referring generally to the reduction of pathogenic bioburden and are not intended to refer to any specific definition of the term as may be used for other purposes by the U.S. Food and Drug Administration or the U.S. Environmental Protection Agency. The disinfection technology as incorporated in Acuity Brands products is not intended for use in the cure, mitigation or prevention of disease and is not certified or approved for use as or for the disinfection of medical devices by the FDA. Reduction of the pathogenic bioburden is a function of fixture run time, distance to the UV light source, air flow, room size, shadow areas and/or other factors, and the level of reduction will vary within a specific space.

Antimicrobial properties are built in to inhibit the growth of bacteria that may affect this product. The antimicrobial properties do not protect users or others against bacteria, viruses, germs or other pathogens.

#### Certification

ETL Listed, Certified to UL STD 507 and CAN/CSA STD C22.2 No. 113

Tested to be compliant with FCC Part 15 Class A

#### Registration Information

EPA Est. No.: 95756-GA-1

EPA Est. No.: 89661-MEX-1

Produced for:

Acuity Brands lighting, Inc.

One Lithonia Way

Conyers, GA 30012

For sale only in the United States of America and Mexico.

Meets California ozone emissions limits. California Air Resources Board (CARB) certified.

#### Buy American

Product with the BAA option is assembled in the USA and meets the Buy America(n) government procurement requirements under FAR, DFARS and DOT. Please refer to [www.acuitybrands.com/buy-american](http://www.acuitybrands.com/buy-american) for additional information.

#### Warranty

5-year limited warranty for UV device housing, mechanical, white light-emitting components, ballast, and driver. 2-year limited warranty on UV device fans, switches, and other electrical components. No warranty on UV-C lamps and filters. Complete warranty terms located at: [www.acuitybrands.com/support/warranty/terms-and-conditions](http://www.acuitybrands.com/support/warranty/terms-and-conditions)

**Note:** Actual performance may differ as a result of end-user environment and application.

Specifications subject to change without notice.

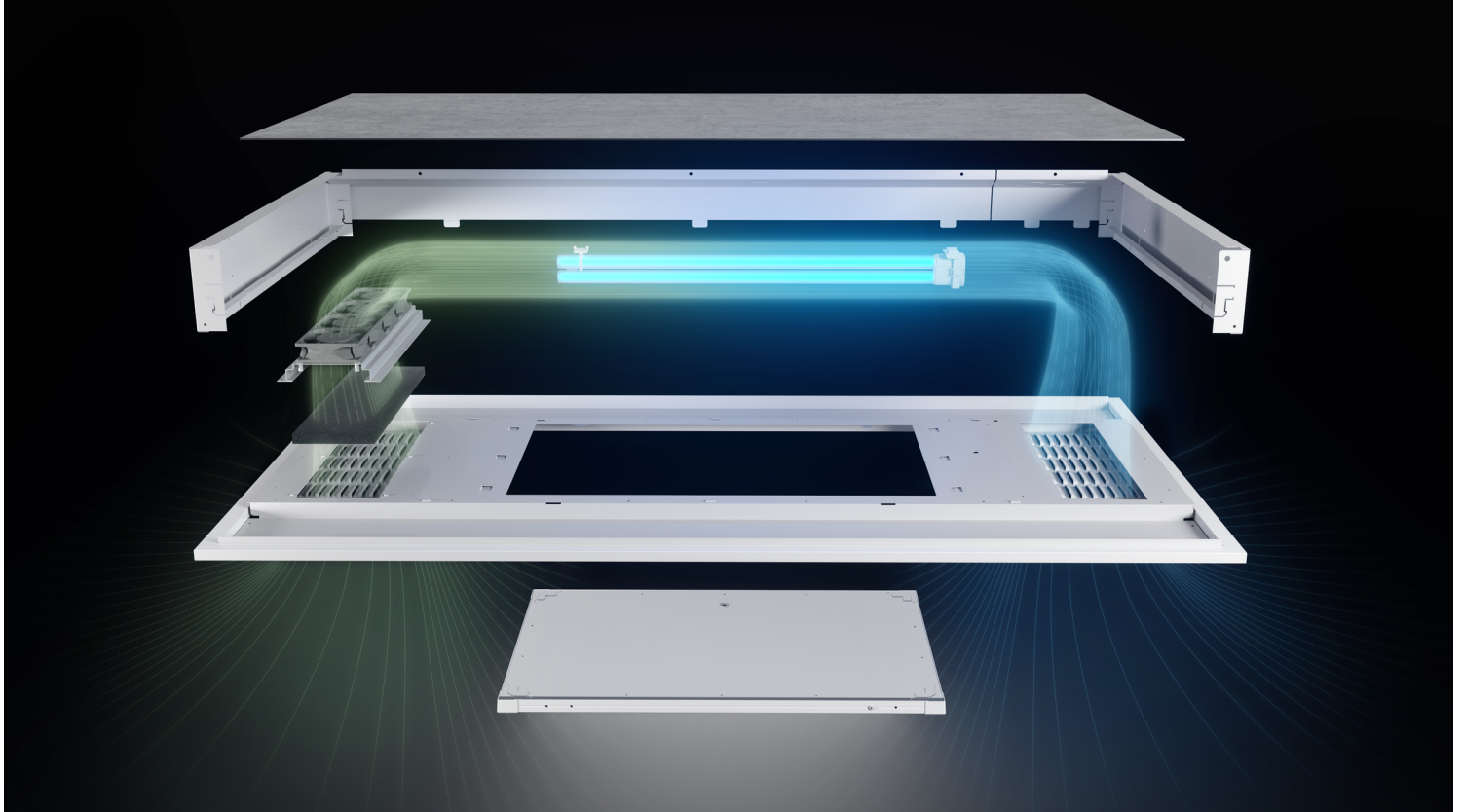
Consult installation instructions for additional guidelines and details.

#### Precautionary Statements

	<b>⚠ WARNING</b>
	<ul style="list-style-type: none"> <li>• Skin or eye damage may result from directly viewing the light produced by the lamp in this apparatus.</li> <li>• Always disconnect power before relamping or servicing.</li> <li>• Replace Lamp with TUV PL-L 95W, manufactured by Philips.</li> </ul>

## TECHNOLOGY

The patented UV light technology draws air containing viruses, bacteria, and fungi into sealed UV-C chamber at 50cfm (1.4 CMM) where they are neutralized. Treated air is then circulated back out into the space. The unit treats a 100 sq. ft. room (10' L x 10' W x 8' H) (3.0M L x 3.0M W x 2.4M H), approximately four times every hour when operated 24/7/365.

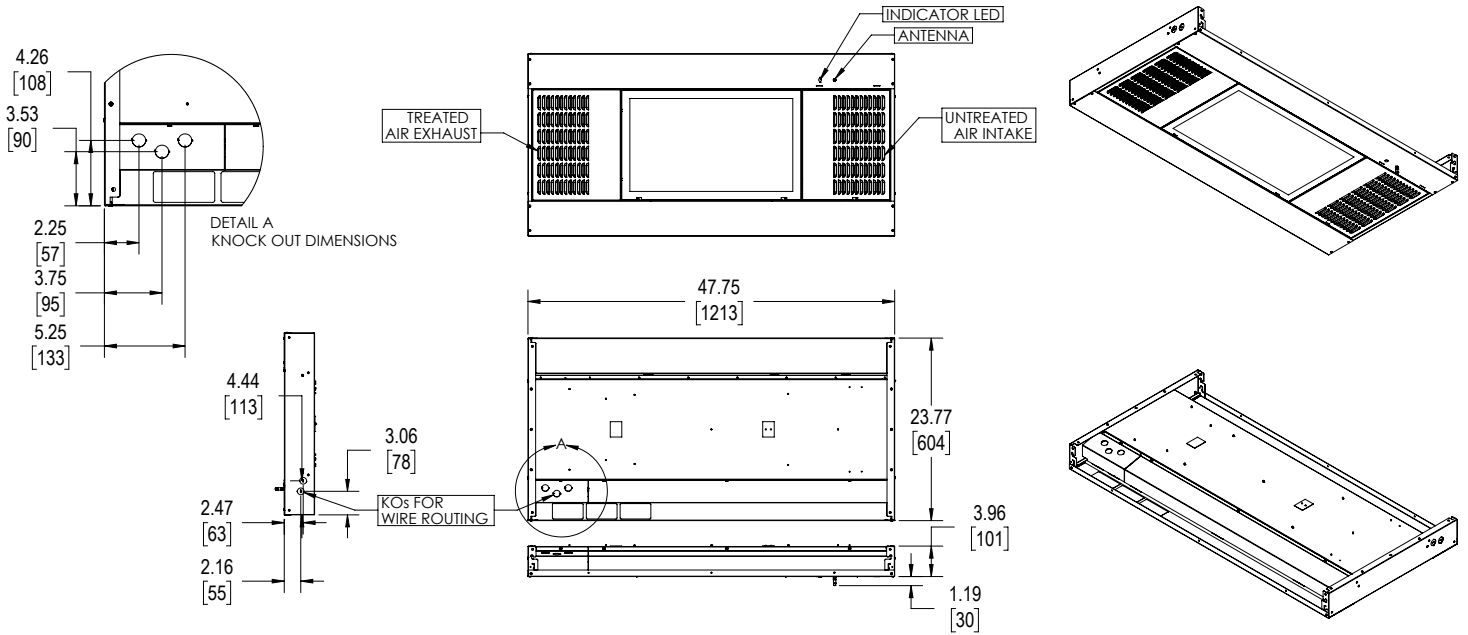


**DIMENSIONS**

Dimensions noted in US imperial inches with metric system millimeters in brackets

**HFLV DN**

Base fixture used for recessed grid ceiling applications and for integrating with frame kits and mount adapter accessories.  
(Reference installation instructions for additional details on orientation and mounting of units within a space.)

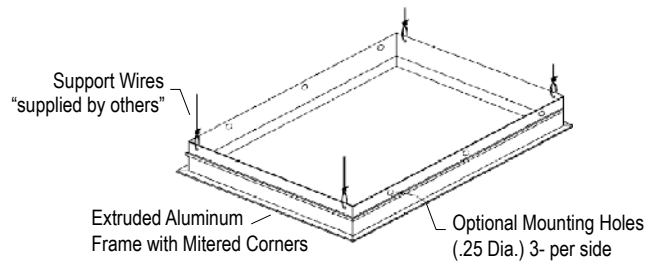
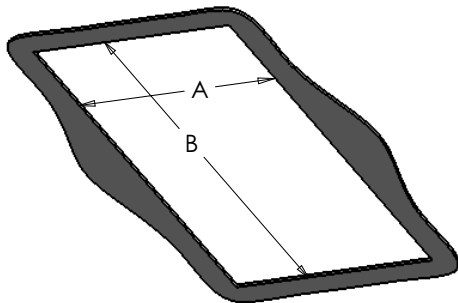


**PFHFLV Plaster Frame Kit**

For recessed hard ceiling mount applications.

**Rough-In Dimensions**

Size	A (Inches)	B (Inches)	A (Millimeters)	B (Millimeters)
2X4	24-3/8"	48-3/8"	619mm	1229mm

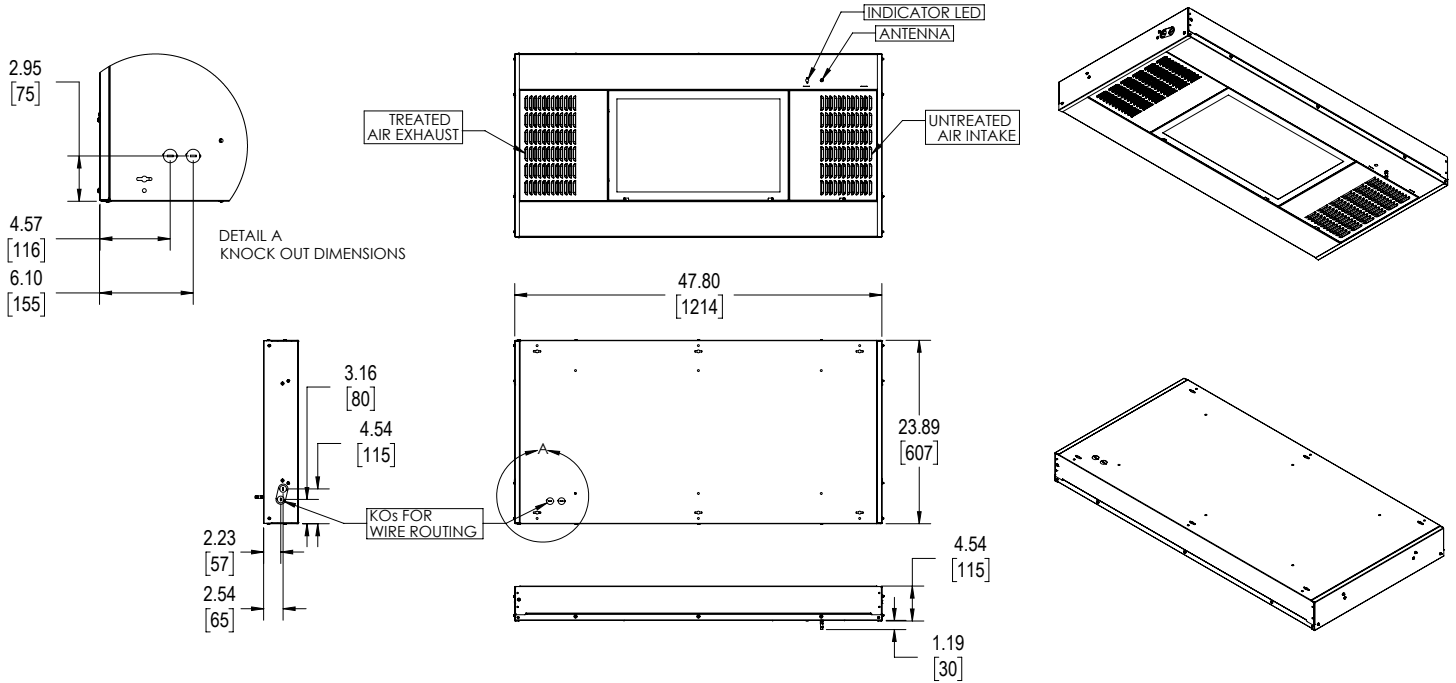


**DIMENSIONS (Continued)**

Dimensions noted in US imperial inches with metric system millimeters in brackets

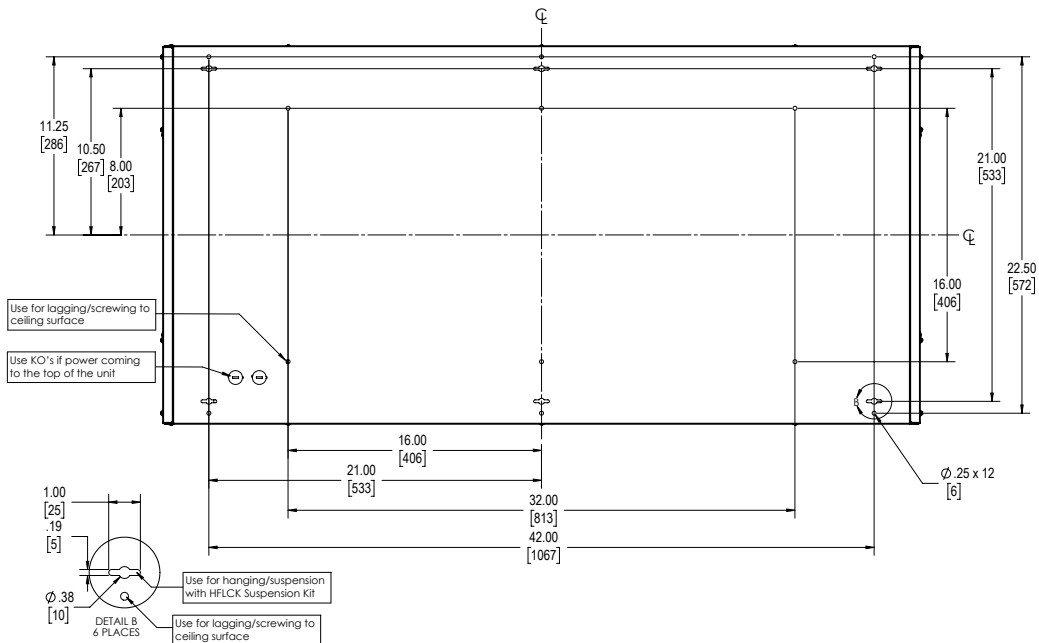
**HFLSK Surface Mount Adapter**

For surface hard ceiling mount applications or for use with suspension mount adapter accessories.



**HFLSK Mount Hole Pattern**

Mount hardware "supplied by others". Size to support a minimum of 60 lbs (27.2 kg) load.



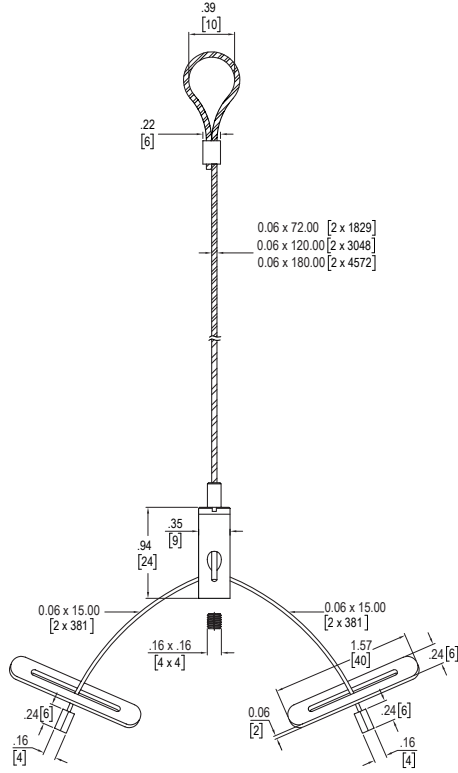
**DIMENSIONS (Continued)**

Dimensions noted in US imperial inches with metric system millimeters in brackets

**HFLCK Suspension Cable Kit**

For pendant hanging fixture only. Cannot be used as tethers for supporting recessed fixture. Includes two (2) gripper assemblies and cable per kit.

\*Note: HFLCK requires HFLSK Surface Mount Kit to be available for making connection.



**INDICATOR LIGHT**

**Embedded LED Status Indicator Light**

Clear indication of the status of the unit

LED Indicator	Mode	Description
	Power Up	Single flash when power is applied.
	Normal	UV lamp and fans are operating correctly, the door is closed properly, and the system is in normal operating mode.
	Warning	The UV lamp nearing end of 9000 hour life. Replace lamp filter with replacement kit part number noted in spec sheet or manual.
	Maintenance	1 second on, 1 second off indication during service with door open.
	Fault	Reoccurring every 5 seconds: Lamp fault - 1 flash Control board fault - 2 flashes Fan fault - 3 flashes

