

Thank you for choosing Sunnydaze Decor. We stand behind our brand and the quality of the items we sell. Replacement parts or products will be sent at our discretion within the 1-year warranty period. Proof of purchase, with the date of purchase as well as photos of the merchandise defect, must be provided. Photos are used to determine the cause of defects and for future quality control. Register your warranty at <https://tiny.cc/SunnydazeWarranty>. If you have any questions, comments or concerns, feel free to contact us by phone at 833-982-1977, by email: customerservice@sunnydazedecor.com, or via our contact us page at <https://tiny.cc/SunnydazeContact>

WROUGHT IRON 4-PIECE FIREPLACE LOG HOLDER AND TOOL SET

GWC-463

Review all assembly and care instructions carefully before using this product. Save this manual for future reference.
Assemble components on a soft, clean surface to avoid damaging the finish.

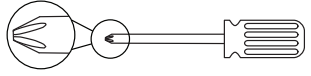
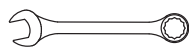
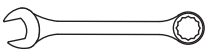


Inspect packaging to ensure all parts are accounted for before disposing of packing materials.
 Save the packing slip.









66
 pounds
 30 kg
 Weight Capacity






! HELPFUL HINTS

- Sunnydaze Decor advises reading this manual thoroughly and assembling the item soon after purchase.
- Do not fully tighten hardware until instructed to do so. If the hardware is tightened too soon, mounting holes may not align, and parts may not easily fit together.

TOOLS REQUIRED (not included)		
		
Phillips Screwdriver	8mm Wrench	14mm Wrench

! WARNING !
CHOKING HAZARD — This item contains small parts that can be swallowed. Keep children and pets away during assembly.

No.	PARTS	QTY.
A	 Side Panel (L/R) One panel has tool holder built in	2
B	 Bottom Panel	1
C	 Back Panel	1
D	 Bottom Bar	2
E	 Top Bar	1
F	 Axle	1
G	 Wheel	2
H	 Tool Set	3pc

No.	HARDWARE	QTY.
1	 M6x30mm Bolt	4
2	 M5x25mm Bolt	12
3	 M5 Nut	12
4	 3/8" Nut	4
5	 Washer	4

NOTE: To prevent hardware from being lost during shipping, some hardware is loosely installed into part mounting holes.

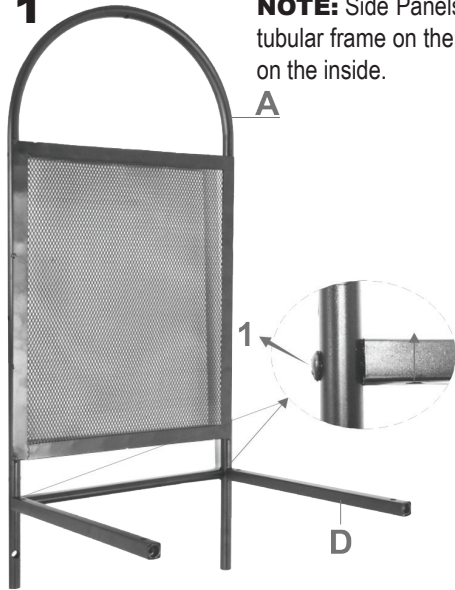
ASSEMBLY

Review all steps and understand assembly before beginning.

Do not fully tighten hardware until all components have been loosely assembled.

STEP 1

A: 1
D: 2
1: 2

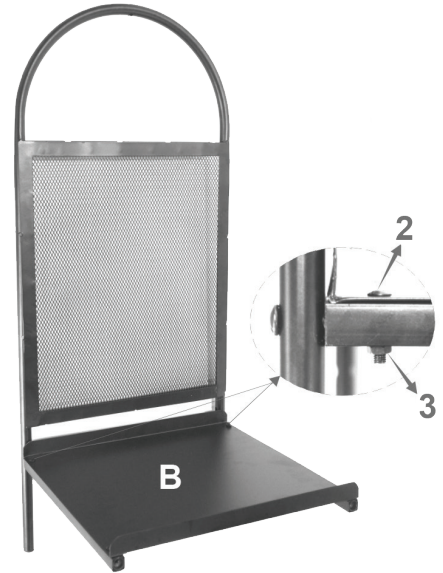


- Remove the hardware from Bottom Bars (D).
- Align Bottom Bar (D) with Side Panel (A). Loosely secure by hand-tighten M6x30mm Bolt (1).
- Repeat to loosely fasten the remaining bottom bar to the opposite side.

Do not fully tighten any bolts until after Step 5 is complete.

STEP 2

B: 1
2: 4
3: 4

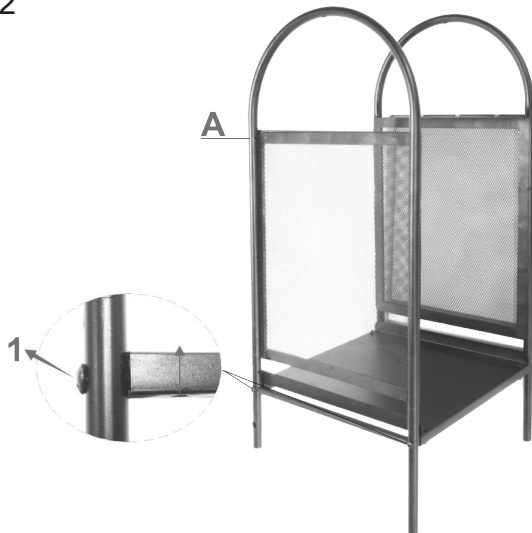


- With the ledge facing upward, and flush with the side panel, secure Bottom Panel (B) to the bottom bars using four M5x25mm Bolts (2) and four M5 Nuts (3).

Do not fully tighten any bolts until after Step 5 is complete.

STEP 3

A: 1
1: 2



- Fasten remaining Side Panel (A) to the bottom bars by hand-tightening two M6x30mm Bolts (1).

Do not fully tighten any bolts until after Step 5 is complete.

STEP 4

C: 1
2: 6
3: 6



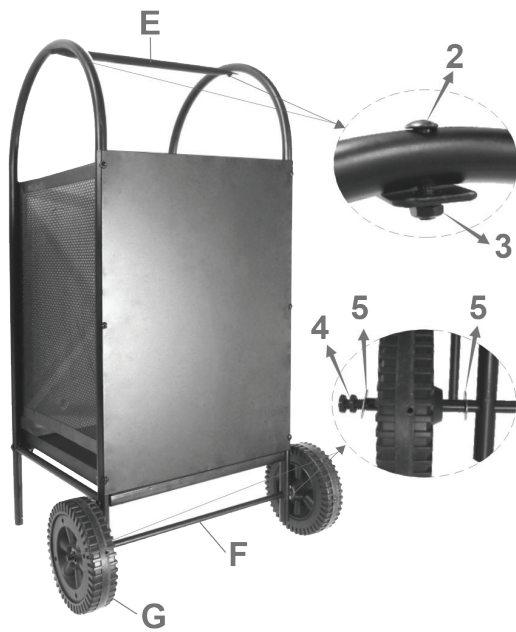
- Secure Back Panel (C) to the rear of the side panels using six M5x25mm Bolts (2) and six M5 Nuts (3).

Do not fully tighten any bolts until after Step 5 is complete.

STEP 5

E: 1
2: 2
3: 2

F: 1
G: 2
4: 4
5: 4



- Remove hardware from Run Axle (F).
- Secure Top Bar (E) to the underside of the side frames by hand-tightening two M5x25mm Bolts (2) and two M5 Nuts (3), as shown.
- Run Axle (F) through the holes in the bottom of the side panels.
- Place one Washer (5) onto the axle, then Wheel (G), another Washer (5) and secure with two 3/8" Nuts (4).
- Repeat previous step to attach remaining Wheel (G).

Tighten all bolts after this step is complete.

Care & Maintenance

SAFE USE: Only use on a flat, level surface. Do not stand or sit on the log rack.

GENERAL USE & CARE: Recommended for indoor use only. Manufacturer and seller are not liable for any damage resulting from exposure to outdoor elements. Damage from outdoor use and/or normal wear and tear is not covered by the 1-year product warranty.

INSPECT: Periodically check assembly points and tighten fittings as necessary. If handles on the tools become loose, simply re-tighten them by hand.

CLEANING: Use a damp cloth to clean. Do not use abrasive cleaners as doing so may cause parts to tarnish or rust.

⚠ SAFETY STATEMENTS & WARNINGS ⚠

- Do not exceed the weight capacity of the log rack.
- Supervise children at all times; do not allow children to play on or play with any part of this product.
- Firmly secure all hardware before use.
- Inspect hardware often and tighten as necessary.
- Do not use the brush to sweep live coals (embers).
- Do not use harsh chemicals or abrasive materials to clean this unit.
- This product is for residential use only.

Any modification to the product or failure to follow recommended care will void the product warranty.

If you experience issues with assembly or the product was damaged during shipping, please contact our customer service team through one of the methods mentioned at the top of page 1.

Please have the item number and order information ready to expedite response time.

⚠ WARNING!

Manufacturer and seller expressly disclaim any and all liability from personal injury, property damage or loss, whether direct or indirect, or incidental, resulting from the incorrect attachment, improper use, inadequate maintenance, or neglect of this product.