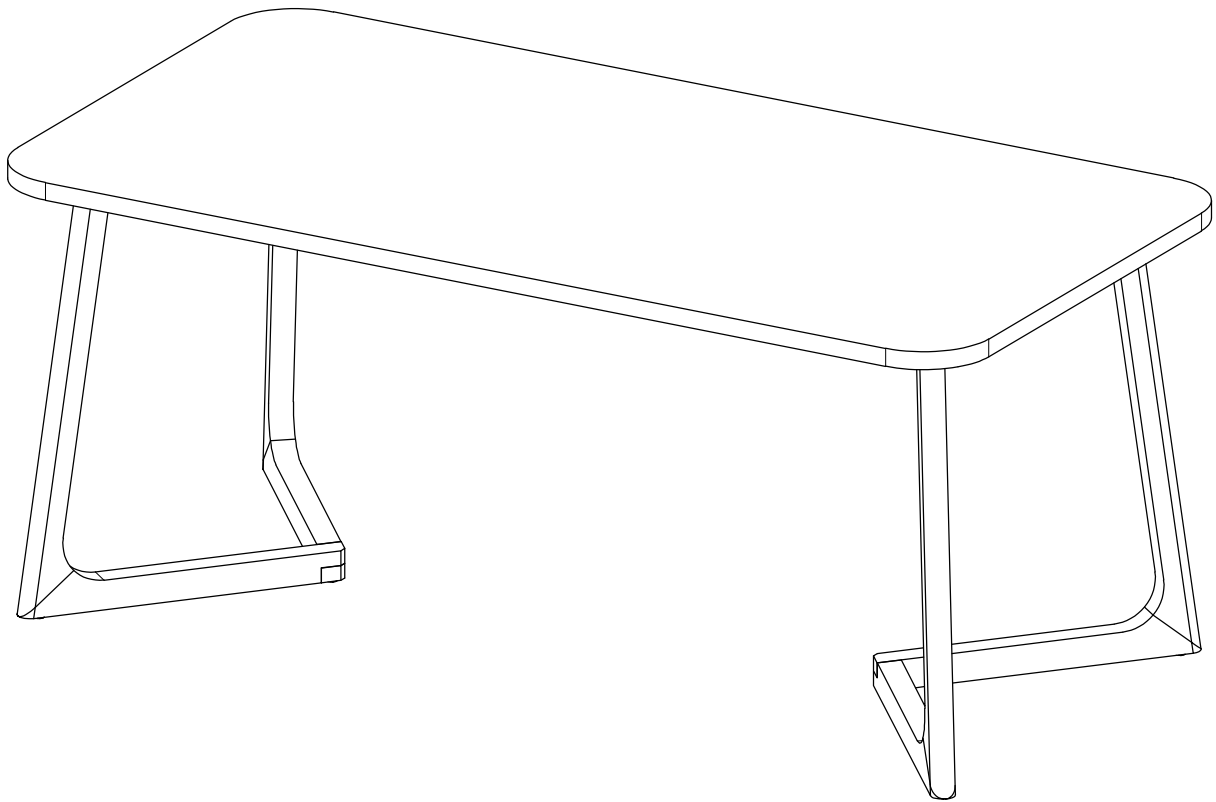


WALKER EDISON
TM

Ezra Rectangle Dining Table

SKU# WEEZR12704



For Residential Use Only

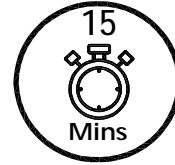
Please visit our website for the most current instructions, assembly tips, report damage, or request parts. www.walker-edison.com



Time to get started

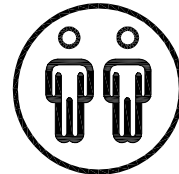
Set up a clean and soft workplace to get started and avoid damage during the assembly. It also helps to double-check you've got all the pieces and parts before diving in to assembly.

Estimated time for assembly



People recommended for assembly

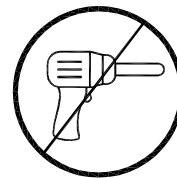
Make it a team effort! Grab a friend for quicker, easier assembly.



2 People Build

Use power tools with caution

You can cause cracking or damage to the material and easily strip the hardware. If you choose to use a power tool, your product will no longer be covered under Walker Edison' warranty.

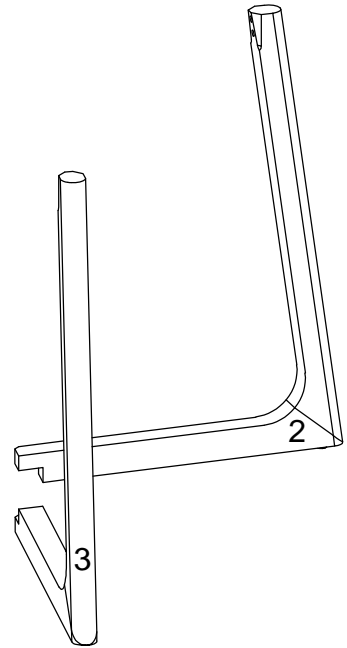
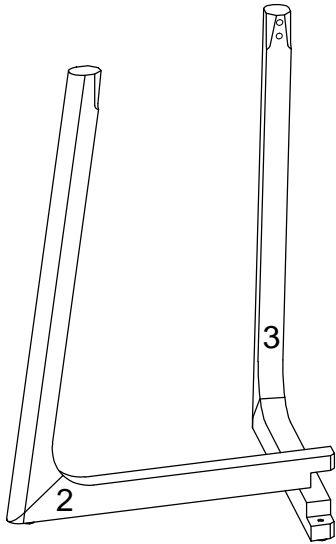
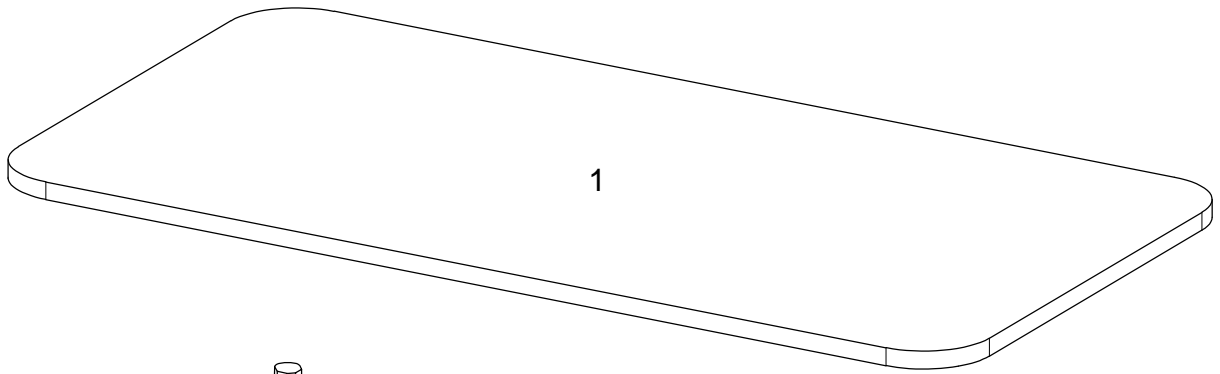


Ezra


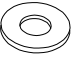

Scan to get assembly tips and help!

WE Parts List

Part Number	Description	Quantity
1	Tabletop	1
2	Upper Leg	2
3	Lower Leg	2

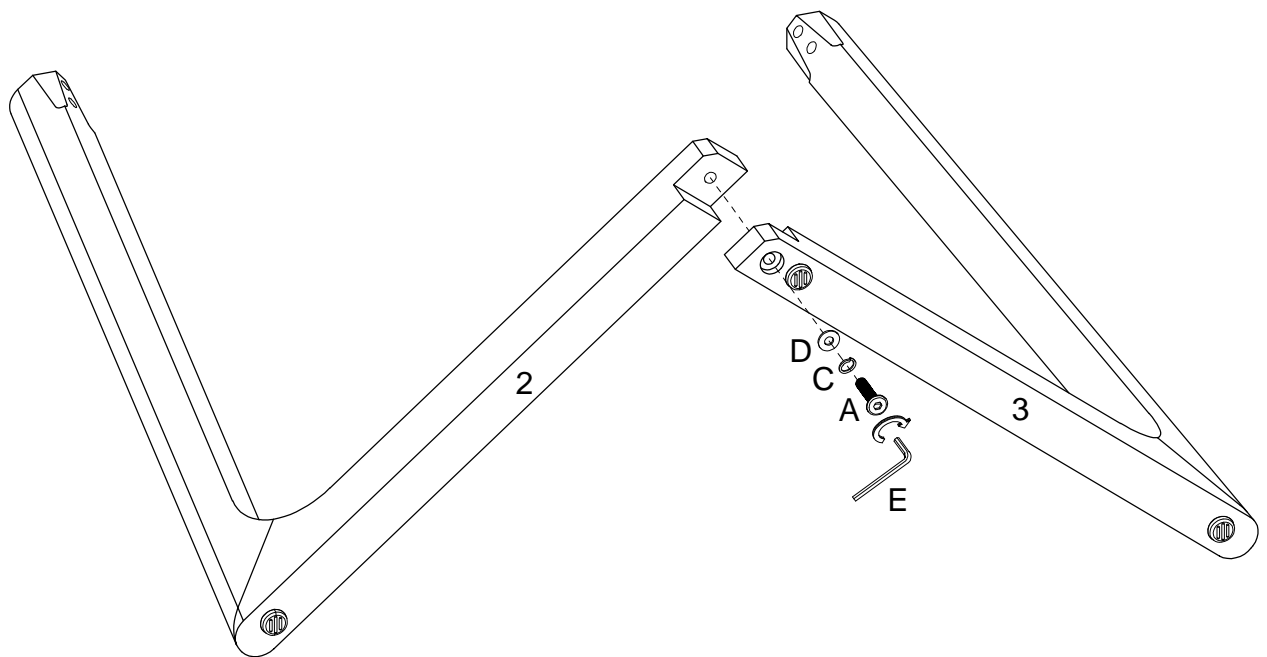


WE Hardware List

Part	Size	Name	Quantity
A	 $\varnothing 5/16$ "x45mm	Bolt	2
B	 $\varnothing 5/16$ "x80mm	Bolt	8
C	 $\varnothing 5/16$ "	Lock washer	10
D	 $\varnothing 5/16$ "x $\varnothing 22$ mm	Washer	10
E	 M5	Hex key	1

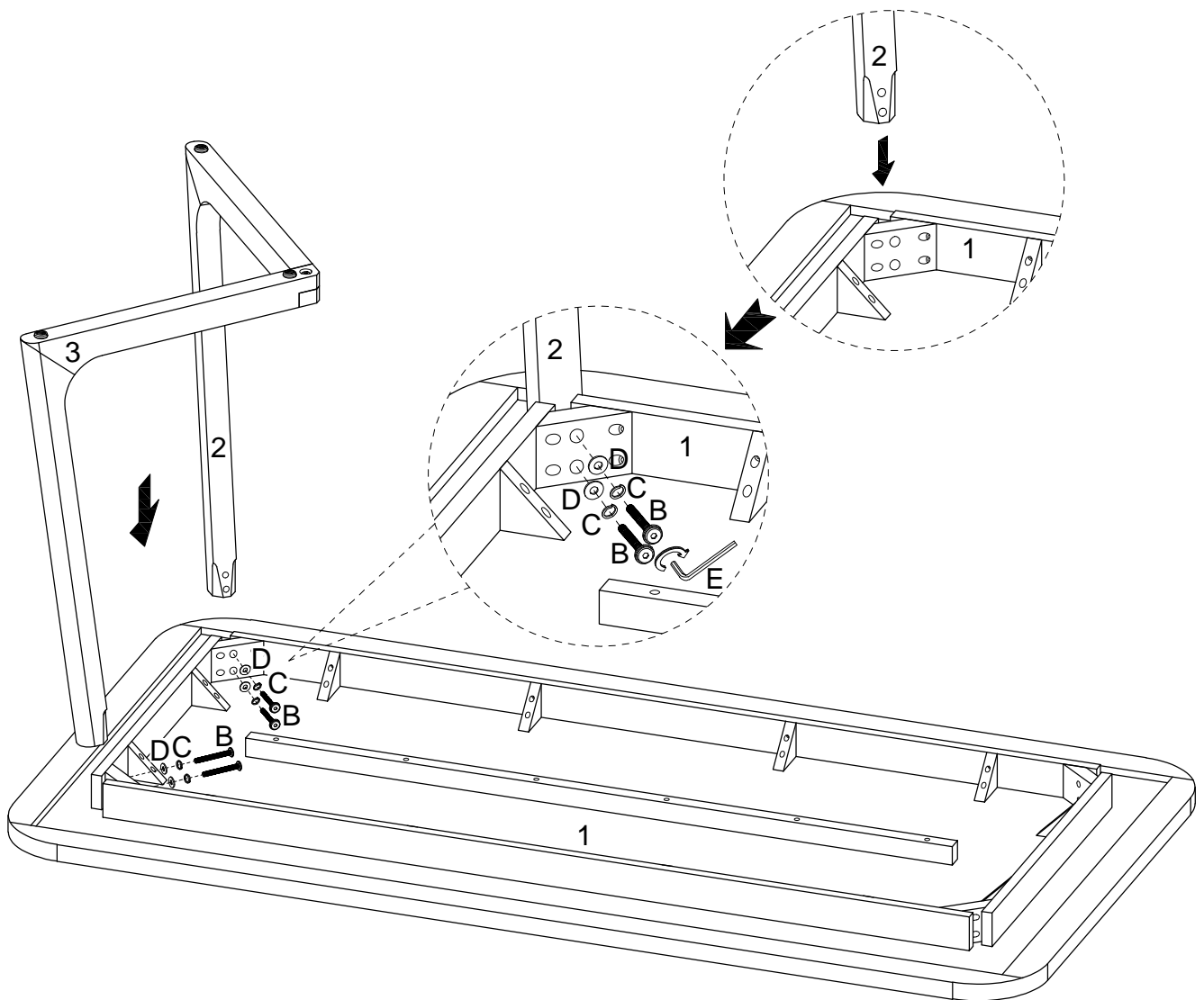
The hardware quantities listed above are required for proper assembly.
Extra hardware pieces may be included.

Step 1

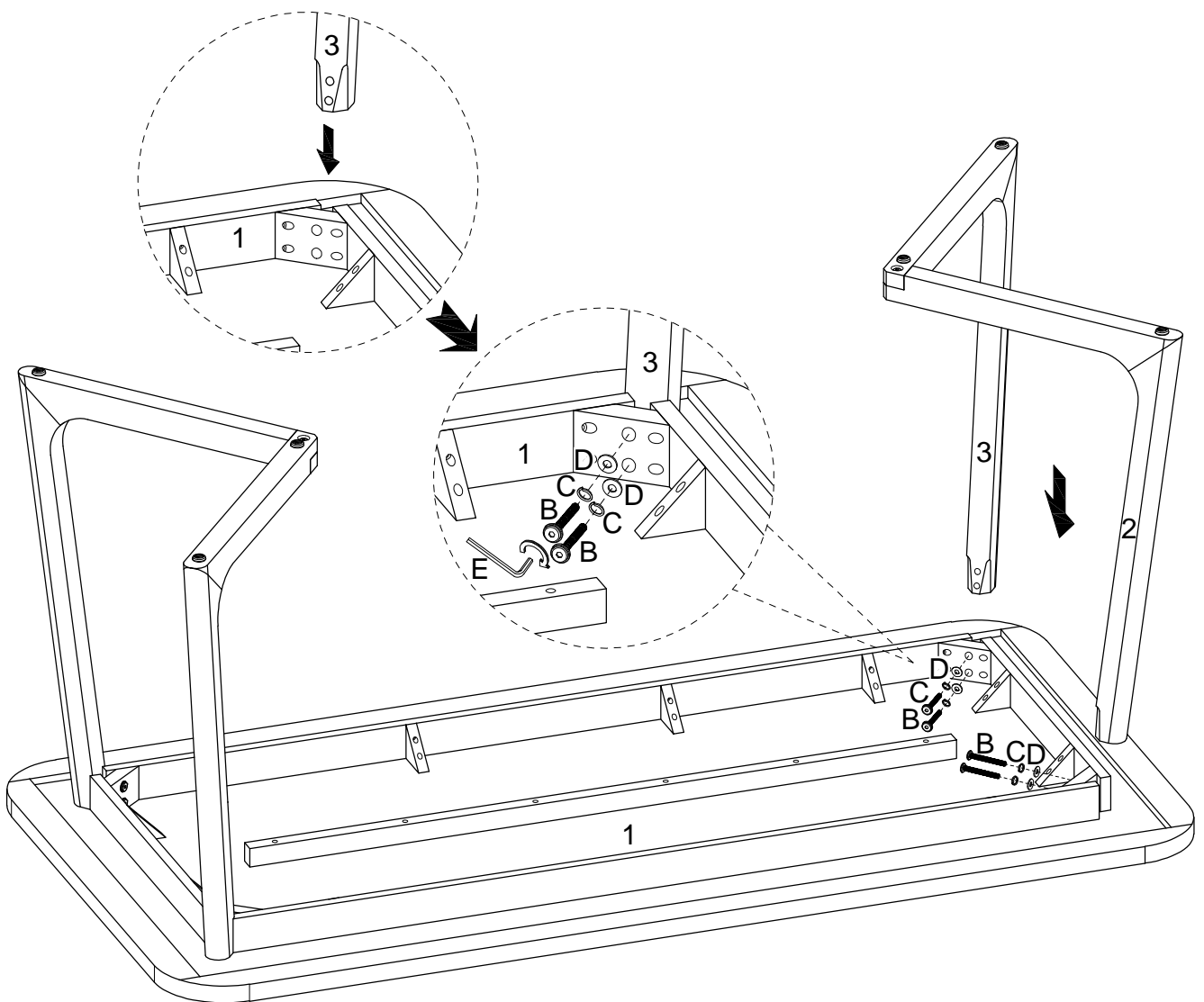


x 2

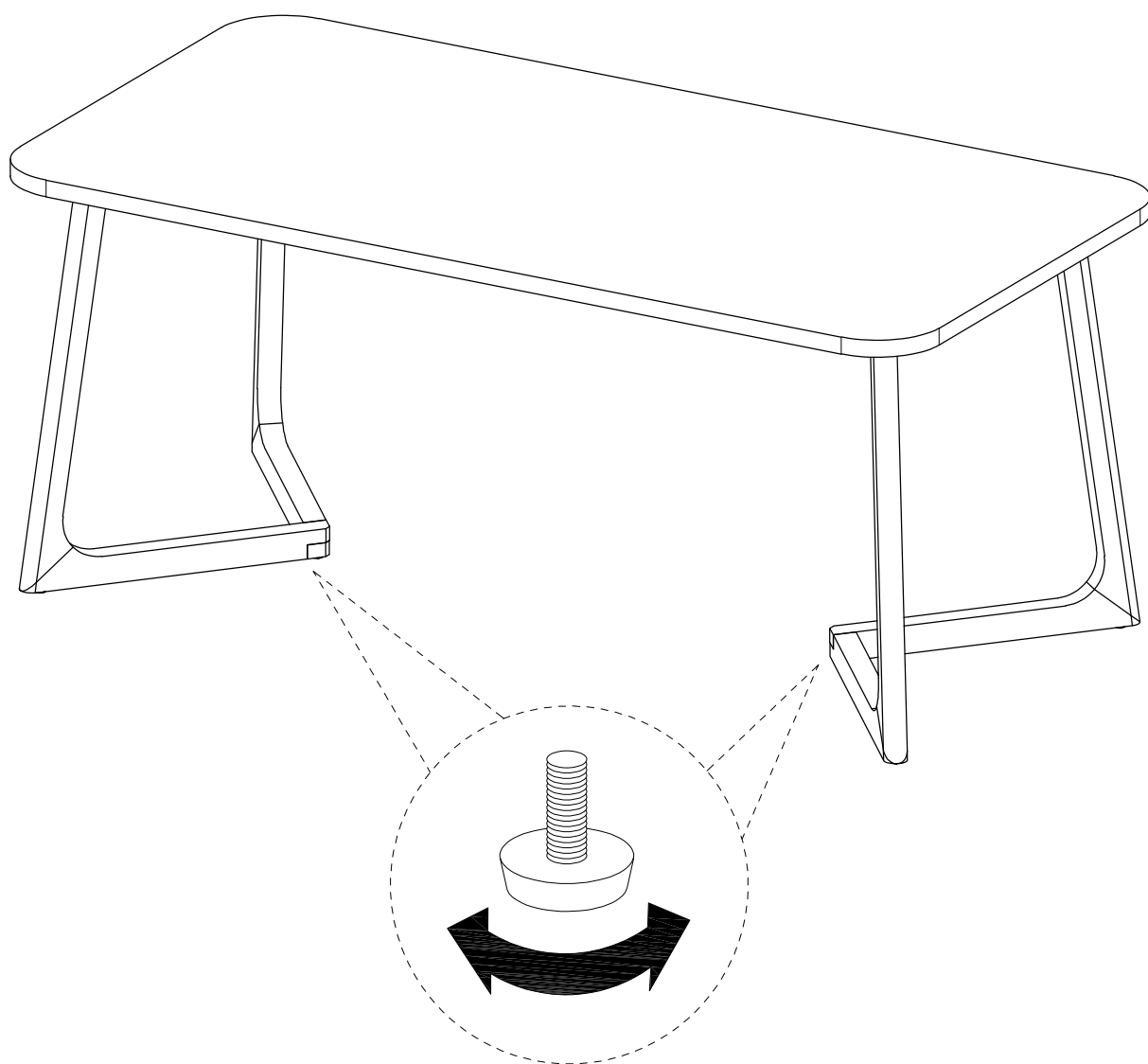
Step 2



Step 3

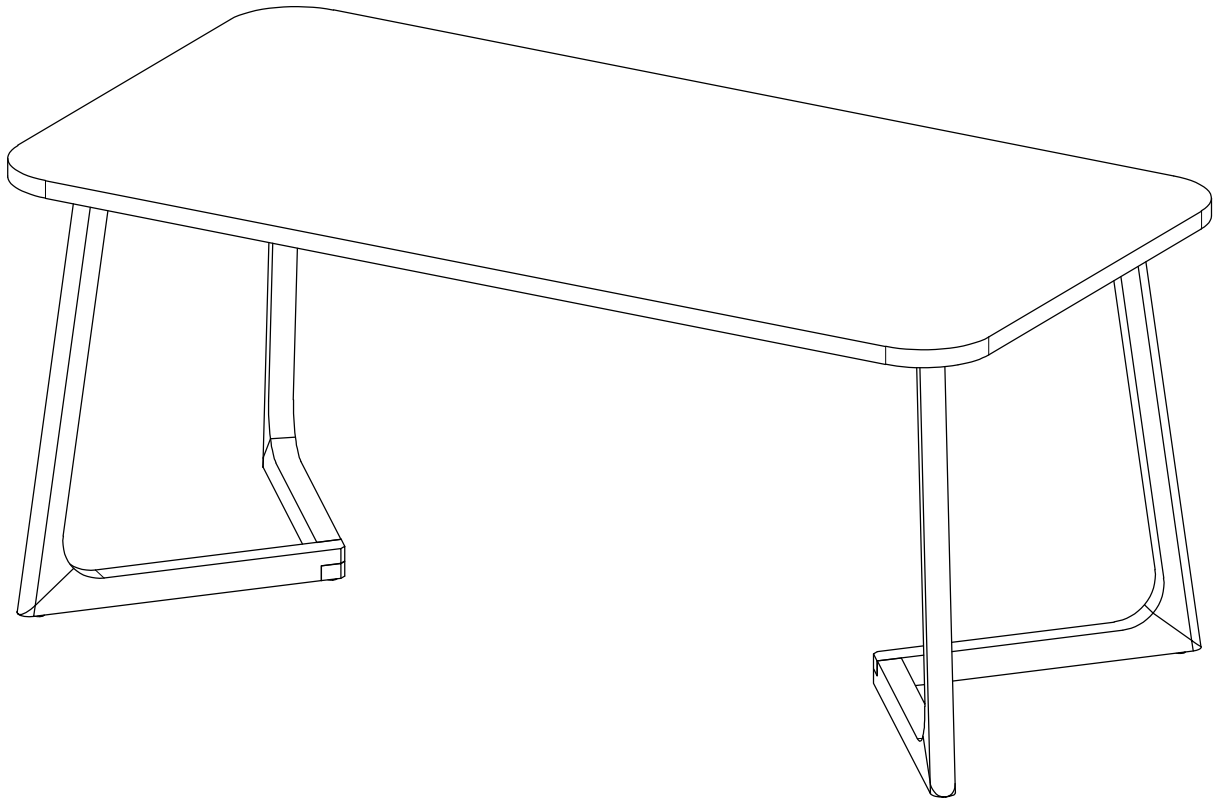


Step 4



Final Assembly

You did it! Enjoy your new table!



Congratulations on your new piece of furniture!

We would love to hear about it and see it.
Please leave us a review or post a picture with
#mywalkerredisonhome

Assembling furniture can be tricky sometimes.

Our customer service team, located in Utah, is here for product information, help assembling a product, or for any other customer support issue

Call us at **801-433-3008**

Email us at service@walkeredison.com

Visit our Customer Service website at
walkeredison.com/pages/customer-service

We are available to help Monday -Thursday 8am-5pm, Friday
8am-3pm MST

For details on Assembly Videos, Assembly Instructions,
Replacement Parts, and Customer service,
SCAN HERE

