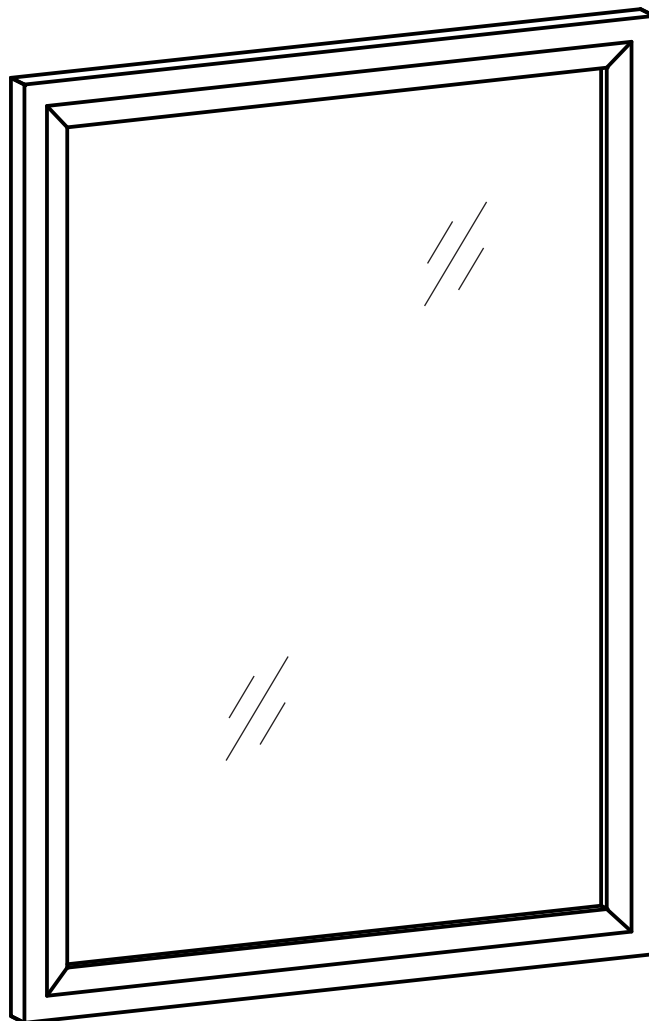


URBAN LOFT / OXFORD / ROCKPORT

MIRROR

MODEL # AXCMRURBW-2230





Questions, problems, assembly help, missing parts?

No need to return the product, we will gladly help and ship your replacement parts free of charge

Please call Customer Service at 1-866-518-0120 ext. 262

Monday to Friday between 9 am – 4 pm EST

or go to

www.simpli-home.com/partsrequest

In order to assist you in a timely manner, please have the following information ready:

Model # _____ Part Number or Letter _____

Purchased at _____ Date of Purchase _____

If you wish to return the product, please contact the retailer where the product was purchased.

IMPORTANT : Please read this manual carefully before beginning assembly of this product. Keep this manual for future reference.

SAFETY INFORMATION

Identify all the parts and hardware. Do not discard of the packaging until you have checked that you have all of the parts and hardware required. Hardware package may have spare parts.

WARNING: This item contains small parts which can be swallowed by children and pets. Keep children and pets away during assembly. To avoid danger of suffocation, always keep plastic bags away from children and pets.

We recommend that you assemble this unit on a carpeted floor to avoid scratches.

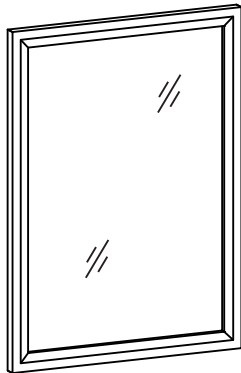
May require 2 people for ease of assembly.

CARE and MAINTENANCE

For regular cleaning, use a damp cloth with warm water, rinse and dry thoroughly to prevent streaks.

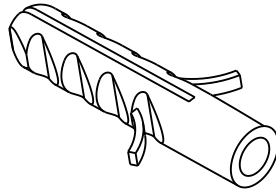
PARTS DESCRIPTION

1



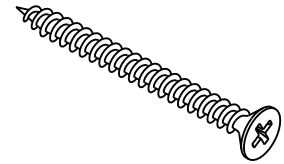
MIRROR
QTY 1

2



WALL ANCHOR
QTY 2

3

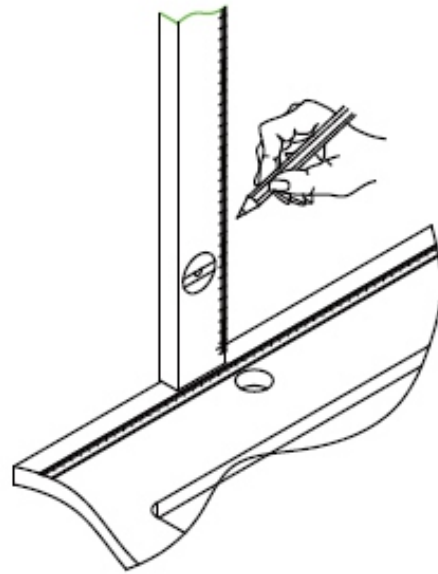
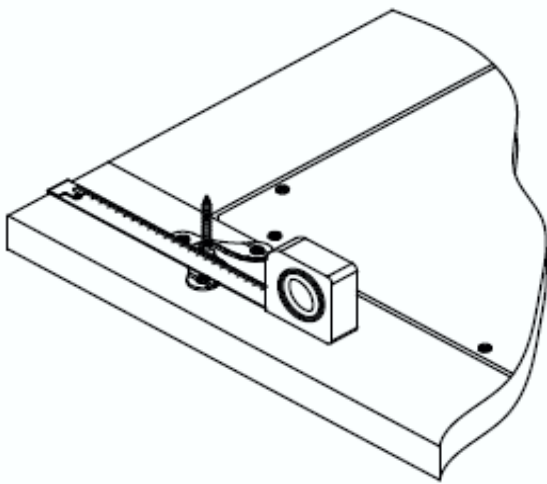


SCREW
QTY 2

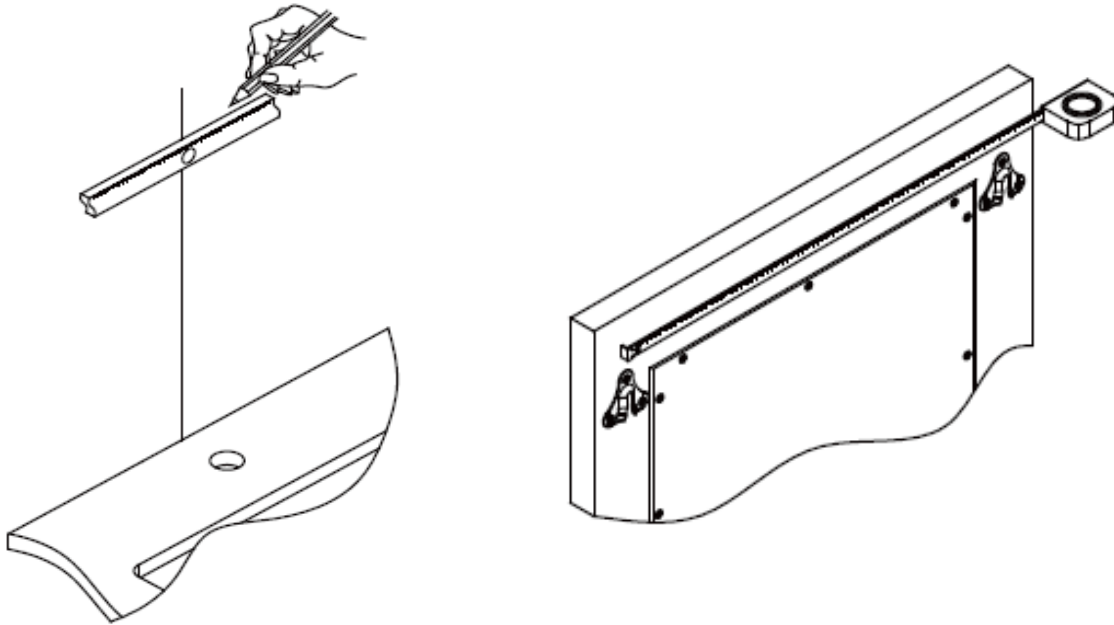
NEED HELP? For help with assembly or if you are missing a part,
Please call customer service at 1-866-518-0120 ext. 262 (9 am to 4 pm EST)

NOTE: Do not mount the mirror directly onto the vanity surface or back splash. A minimum gap of 10 mm must be left on the top of the vanity.

STEP 1 Determining Measurements



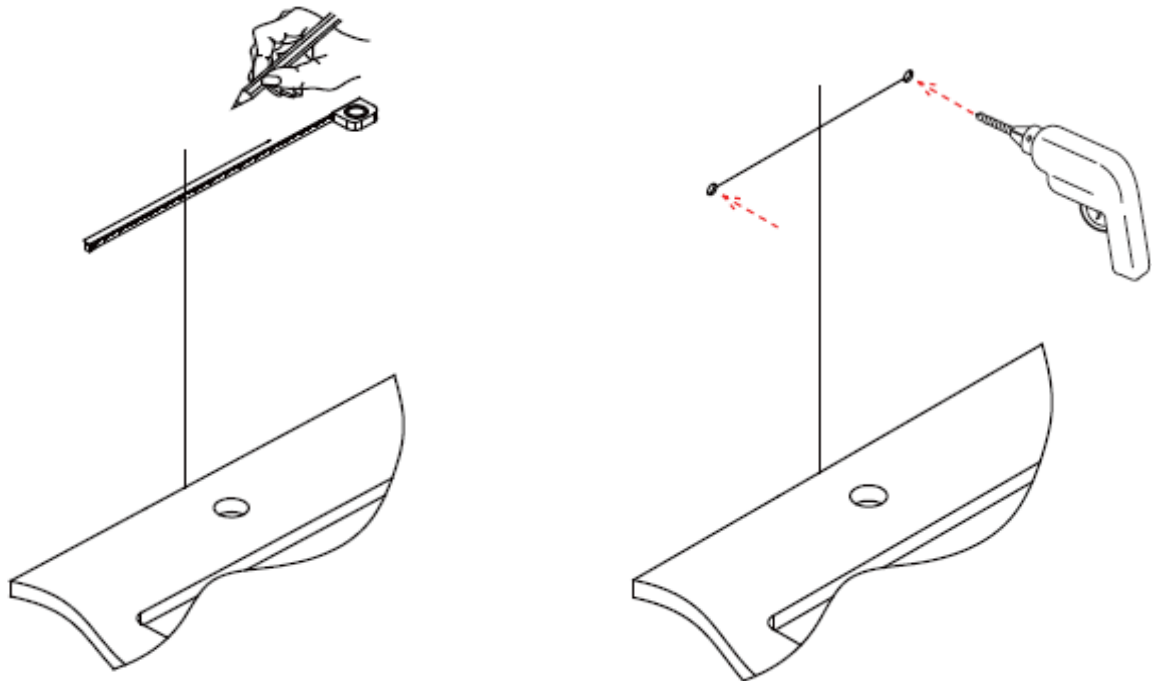
- Lay the Mirror (1) face down on a soft no scratch surface.
- Measure the distance from the top of the Mirror to the top of the slot of the Mirror bracket. Record this measurement (**Measurement A**).
- Mark the vertical centerline of the Mirror.
- Determine the height of the mirror noting where the top edge of the Mirror will be. Record this measurement (**Measurement B**).

STEP 2 Measuring Mirror Placement

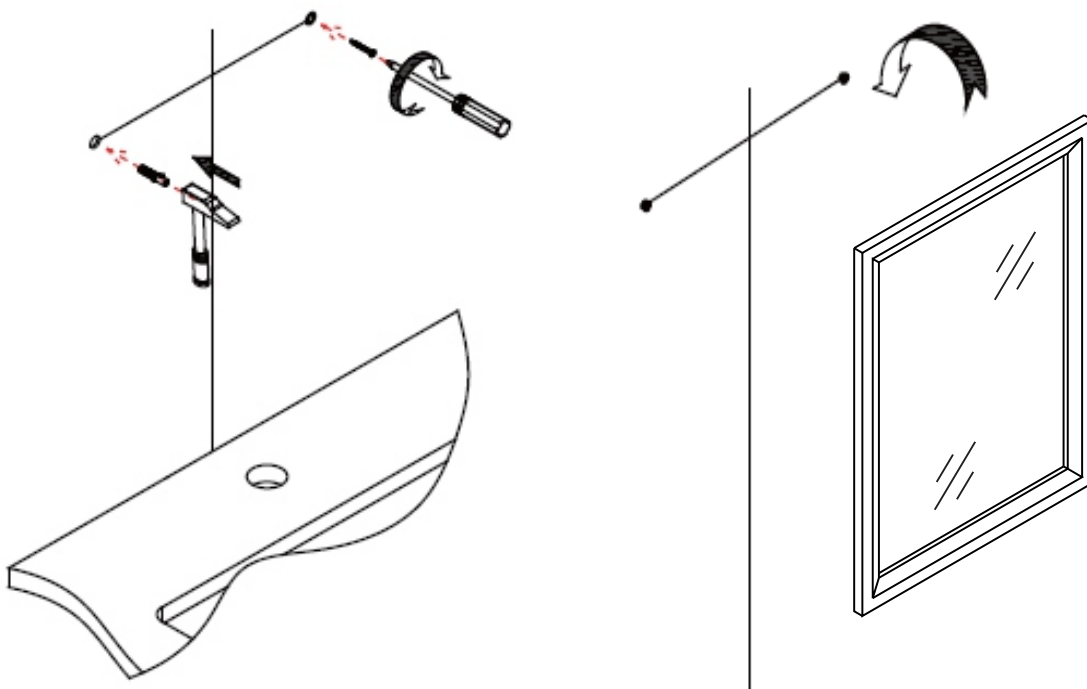
- Subtract Measurement A from Measurement B to get **Measurement C** (this will give the height position of the Screws (3) on the wall).
- On the vertical center line mark **Measurement C**.
- Use a level to draw a horizontal line.
- Measure the center distances between the Mirror brackets on the rear of the Mirror.

WARNING: When drilling the holes in the wall, please be sure to avoid any internal cables and pipelines.

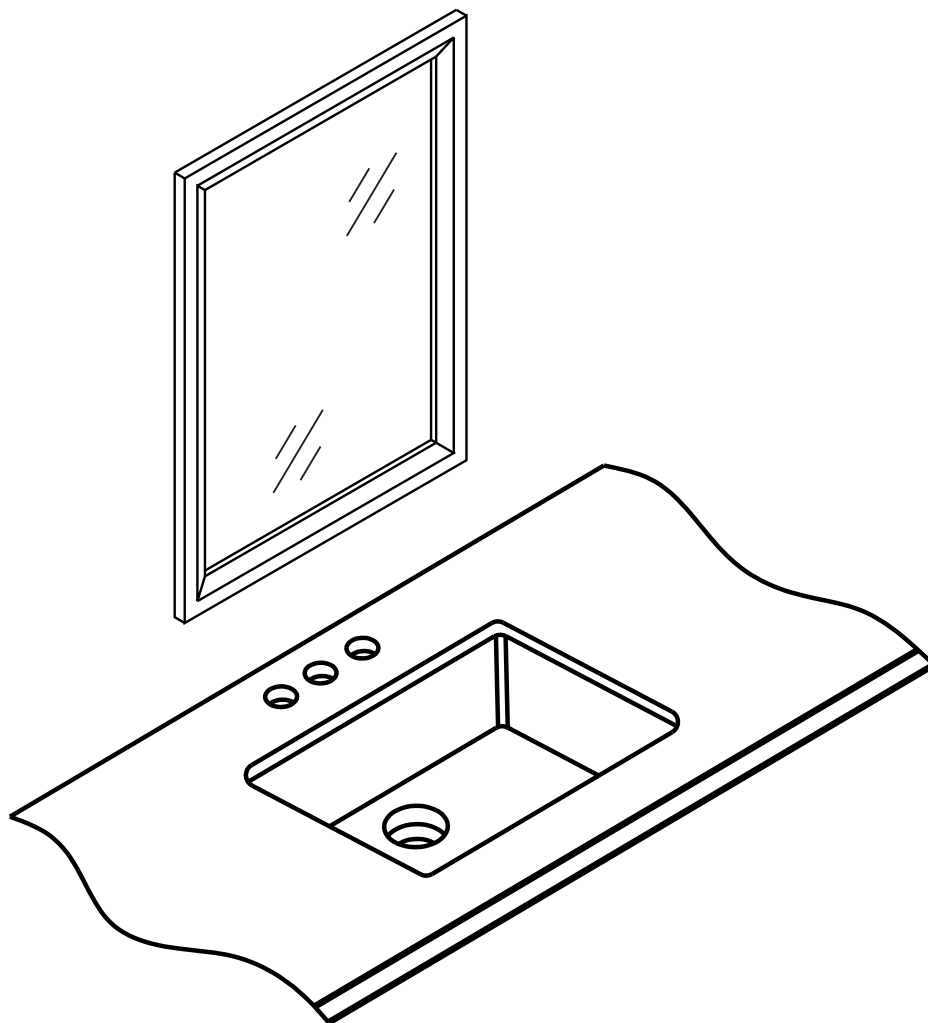
STEP 3 Drilling Holes in the Wall



- Take the measurement distance between the mirror brackets and divide by 2.
- Mark this dimension on both sides of the center line and on the horizontal line.
- Drill 8 mm pilot holes into the wall.

STEP 4 Hanging the Mirror

- Tap the Wall Anchors (2) into the holes and insert the Screws (3) leaving 5 mm of the Screw exposed.
- Lift the Mirror above the Screws (3) at an angle and align with the clips.
- Reduce the angle of the Mirror to the wall and slide it down so the Mirror brackets catch the mirror clips.

STEP 5 Securing the Mirror

- Check that the Mirror clips are secured in the Mirror brackets.



WARRANTY

Thank you for purchasing a **Simpli Home – Wyndenhall – Brooklyn + Max** product. These products have been made to demanding, high-quality standards and are guaranteed for domestic use against manufacturing faults for a period of 12 months from the date of purchase. This warranty does not affect your statutory rights.

In case of any malfunction of your product (failure, missing parts, etc.) please contact us at our toll free service line at 1-866-518-0120 ext. 262 from 9 am to 4 pm, Monday to Friday, Eastern Standard Time or by email at customerservice@simpli-home.com.

We reserve the right to repair or replace the defective product, at its discretion.

This product is guaranteed for 12 months if used for normal purposes. Any warranty is invalid if the product has been overloaded or subject to neglect, improper use or an attempted repair by other than an authorized agent. Heavy-duty or daily professional/commercial usage are not guaranteed.

Due to continuous product improvement, we reserve the right to change the product specifications without prior notice.