

IMPORTANT

Carefully remove all the parts from the carton and place them individually on a soft cloth to prevent scratches or other damage.

Carefully and strictly follow these assembly instructions to ensure a completed product as designed.

Do not use power tools above 8 volts to assemble.

Part List

- C. Base
1 pc.
- D. Plinth
1 pc.
- E. Plinth
1 pc.
- F. Back Panel
1 pc.
- G. Back Panel
1 pc.
- H. Front Panel
1 pc.
- I. Rail
2 pcs.
- J. Base
1 pc.
- K. Plinth
1 pc.
- L. Side Panel
1 pc.
- M. Side Panel
1 pc.
- N. Middle Panel
1 pc.
- O. Back Stretcher
1 pc.
- Q. Divider
1 pc.
- R. Support
1 pc.
- S. Support
2 pcs.
- P. Front Rail
1 pc.
- T. Door
1 pc.
- U. Door
1 pc.
- V. Door
1 pc.
- W. Door
1 pc.
- X. Shelf
3 pcs.
- Y. Shelf
2 pcs.
- Z. Drawer
2 pcs.

Refer to later page(s) of these instructions for drawer assembly.

Carton 20 05010 0941 is also needed for assembly.

Tool(s) required for assembly: Phillips screwdriver, Level

Home Styles Customer Service: www.homestyles-furniture.com,
 servicedesk@homestyles-furniture.com, 888-680-7460, 877-831-0319

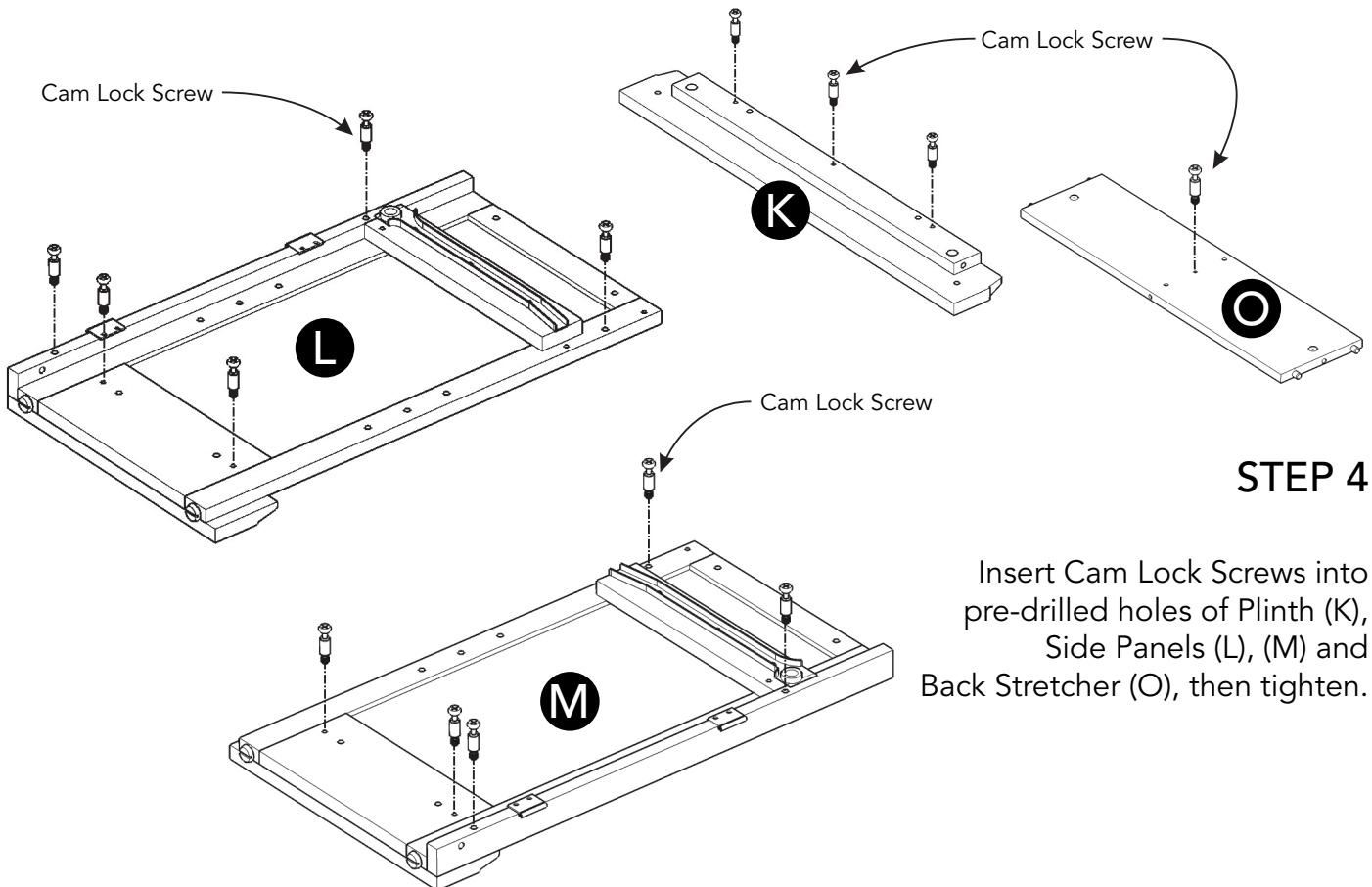
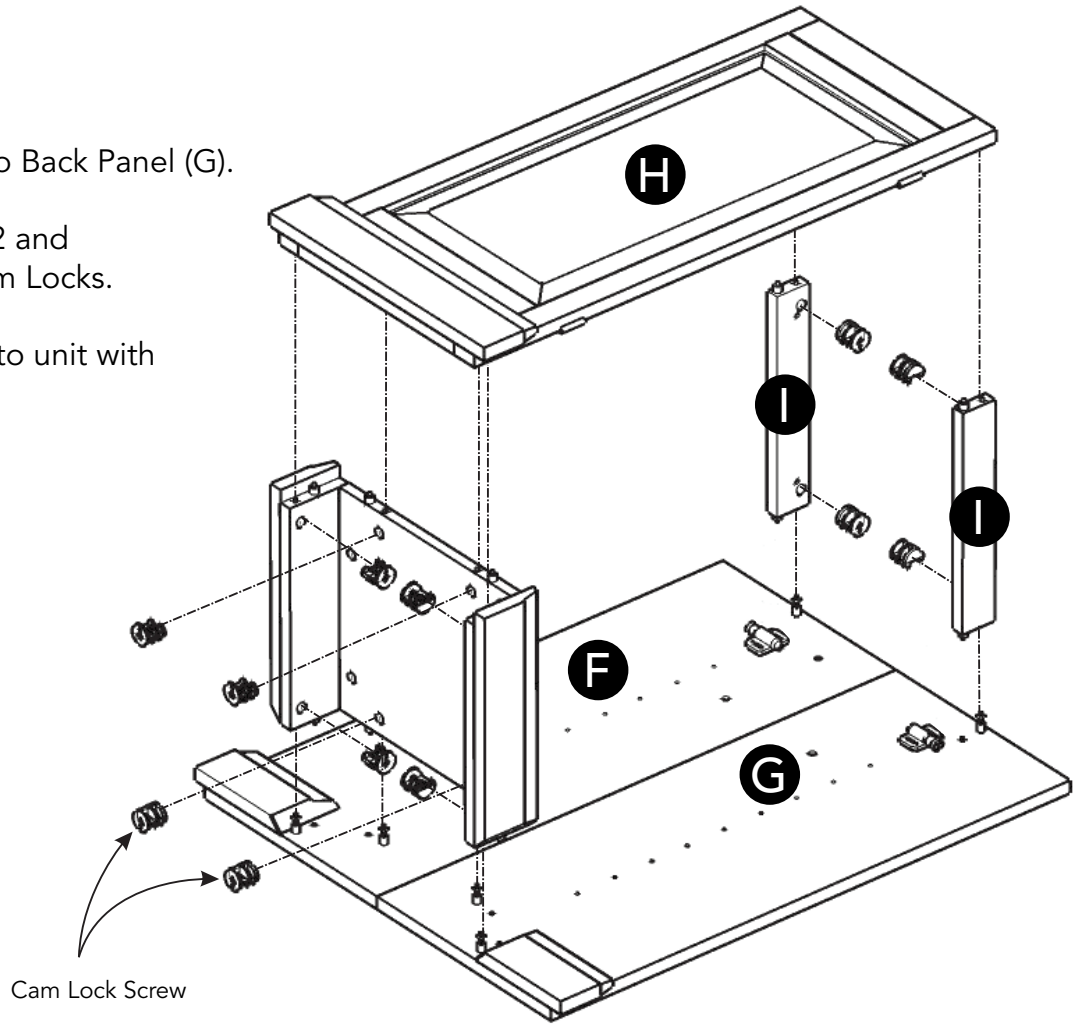
Assembly Instructions 3/7

STEP 3

Attach Back Panel (F) to Back Panel (G).

Attach unit from Step 2 and Rails (I) to unit with Cam Locks.

Attach Front Panel (H) to unit with Cam Locks.



STEP 4

Insert Cam Lock Screws into pre-drilled holes of Plinth (K), Side Panels (L), (M) and Back Stretcher (O), then tighten.

Assembly Instructions 4/7

STEP 5

Attach Middle Panel (N) to Base (J) with Head Cap Bolts. (See Figure 4)

Attach Plinth (K) to unit with Cam Locks.

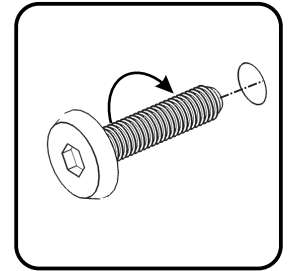
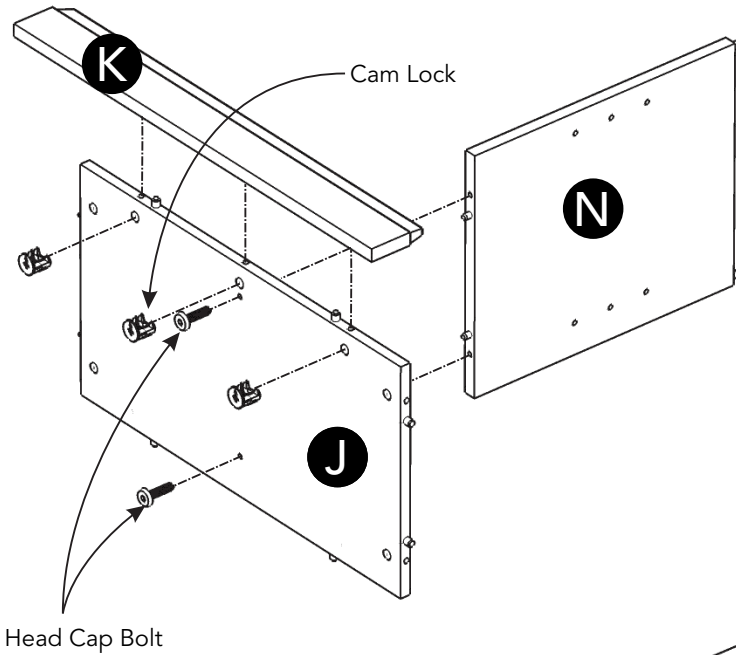


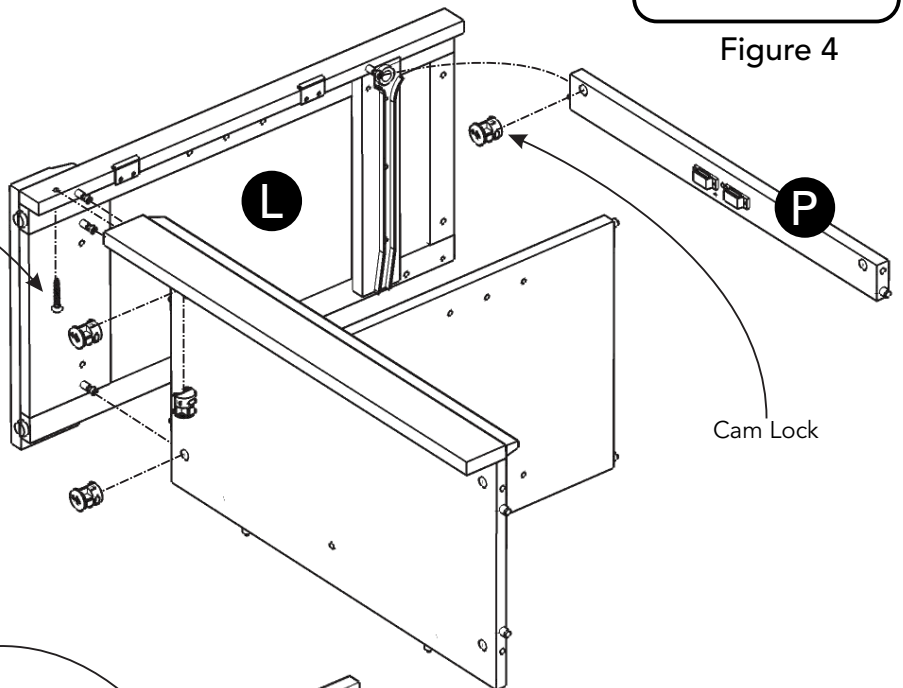
Figure 4

STEP 6

Attach Side Panel (L) to unit with Cam Locks and Wood Screw for Plinth.

Attach Front Rail (P) to unit with Cam Lock.

Wood Screw for Plinth



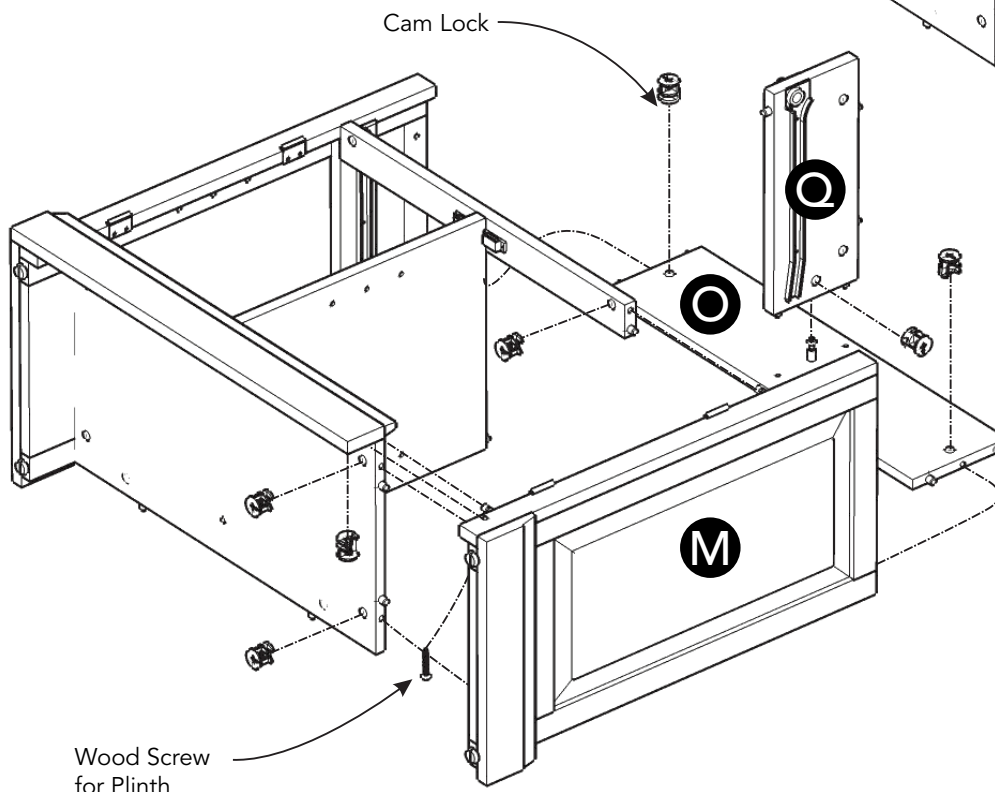
Cam Lock

STEP 7

Attach Back Stretcher (O) to unit with Cam Lock.

Attach Divider (Q) to unit with Cam Lock.

Attach Side Panel (M) to unit with Cam Locks and Wood Screw for Plinth.



Wood Screw for Plinth

STEP 8

Attach Top (B) to unit with Head Cap Bolts.

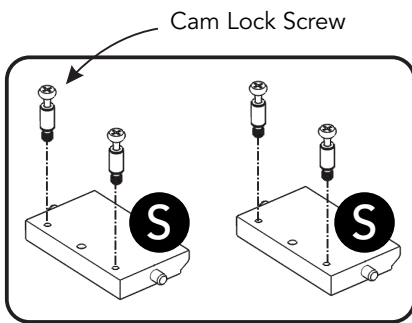
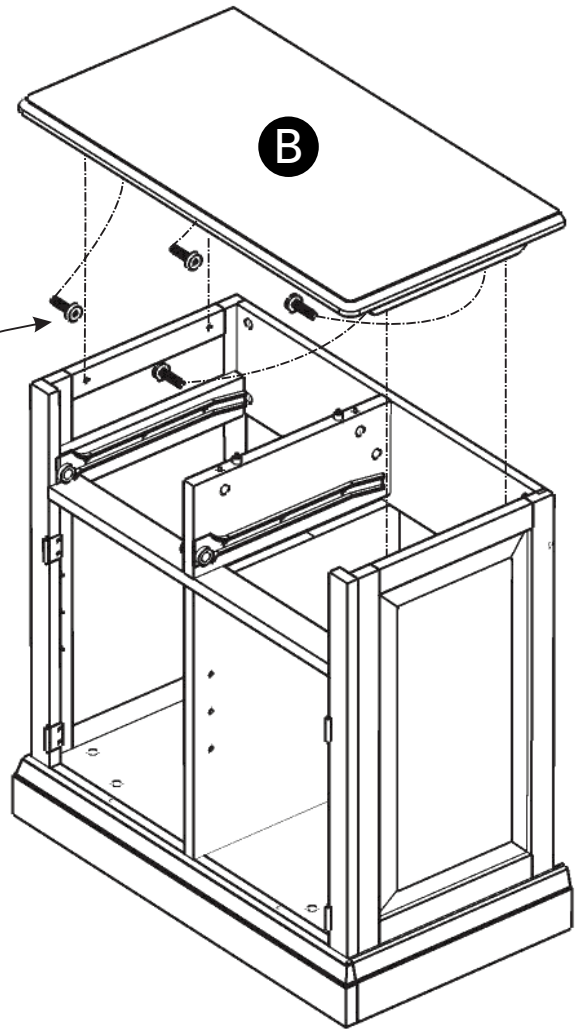
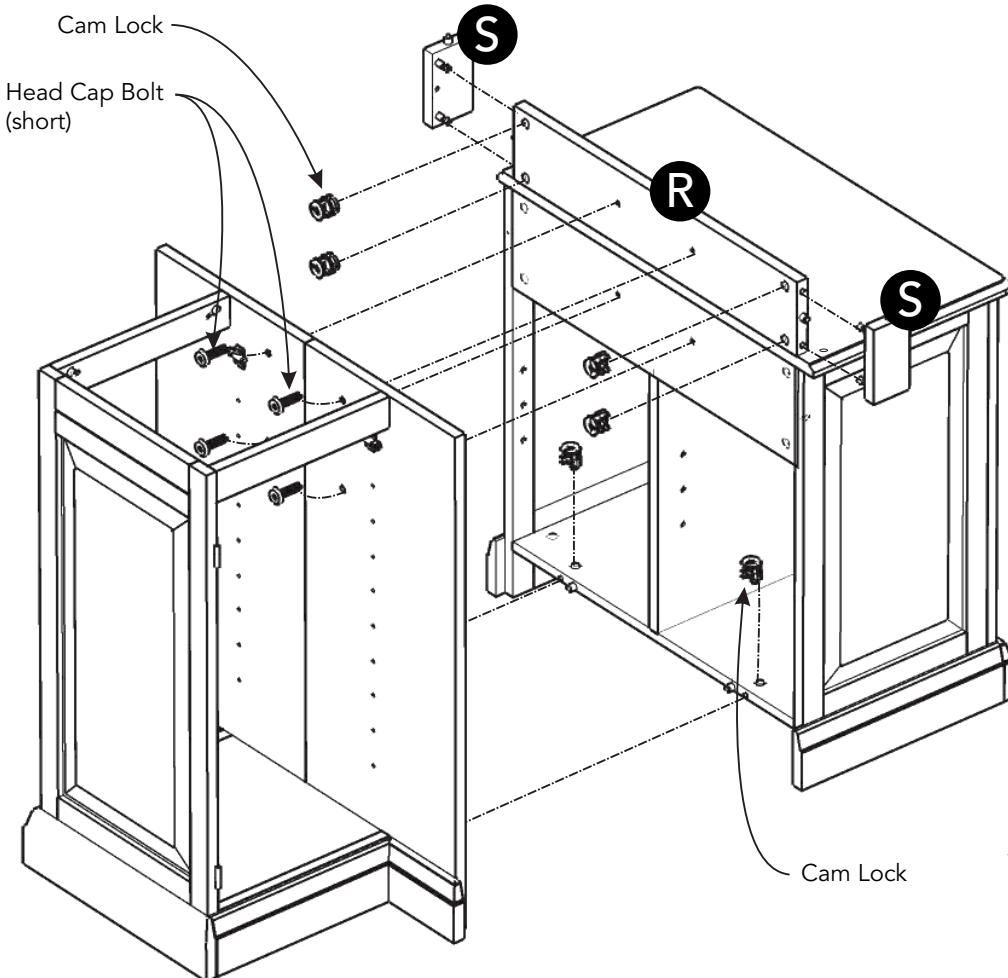


Figure 5



STEP 9

Attach unit from Step 3 to unit from Step 8 with Cam Locks and Head Cap Bolts (short).

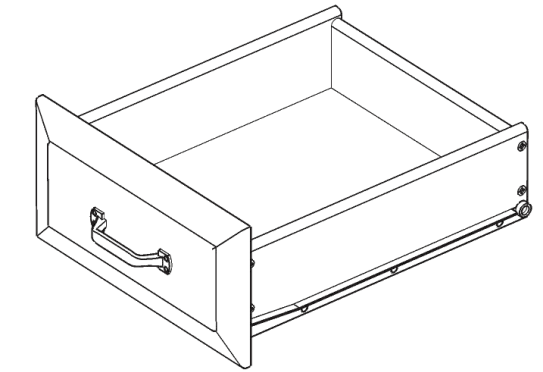
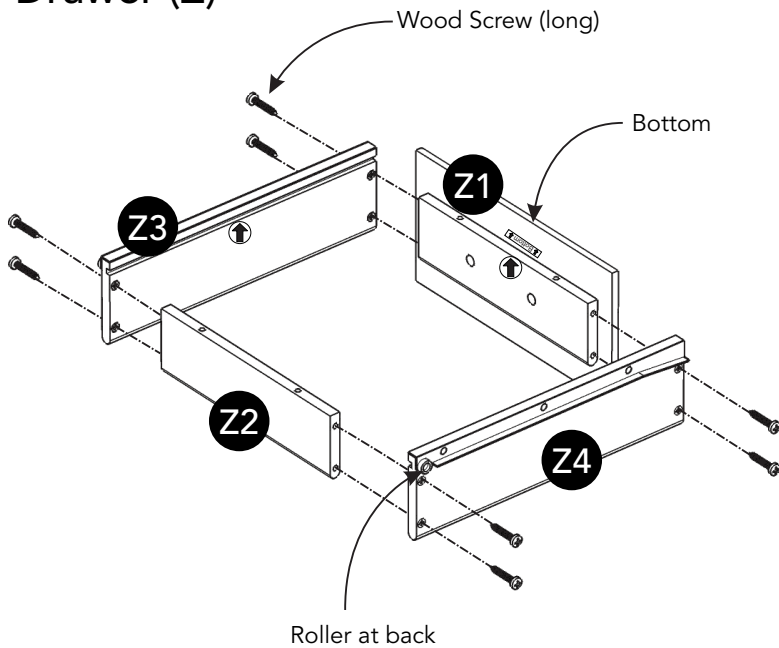
Insert Cam Lock Screws into pre-drilled holes of Supports (S) then tighten. (See Figure 5)

Attach Supports (S) to Support (R) with Cam Locks.

Attach Support (R) to unit with Head Cap Bolts (short).

Assembly Instructions 6/7

Drawer (Z)



STEP 10

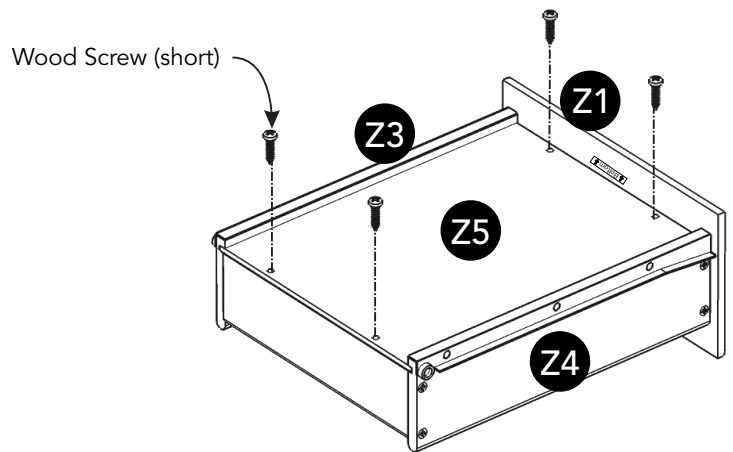
Attach Drawer Front (Z1) and Drawer Back (Z2) to Drawer Side (Z3) with Wood Screws (long).

Attach Drawer Side (Z4) to unit with Wood Screws (long).

STEP 11

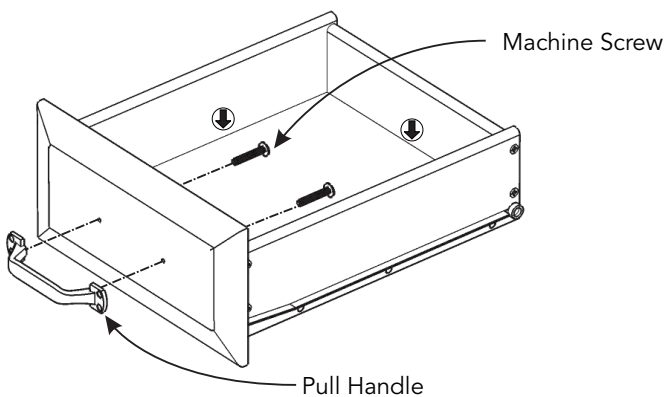
Slide Drawer Bottom (Z5) into the grooves of Drawer Sides (Z3) and (Z4) until it meets Drawer Front (Z1).

Attach Drawer Bottom (Z5) to unit with Wood Screws (short).

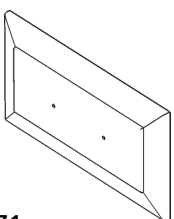


STEP 12

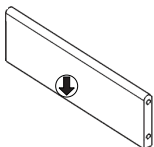
Attach Pull Handle with Machine Screws.



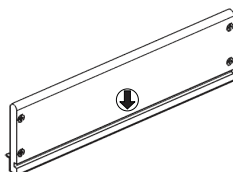
Part List



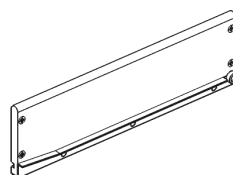
Z1.
Drawer Front
2 pcs.



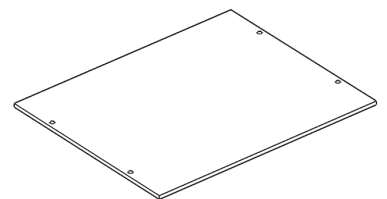
Z2.
Drawer Back
2 pcs.



Z3.
Drawer Side
2 pcs.

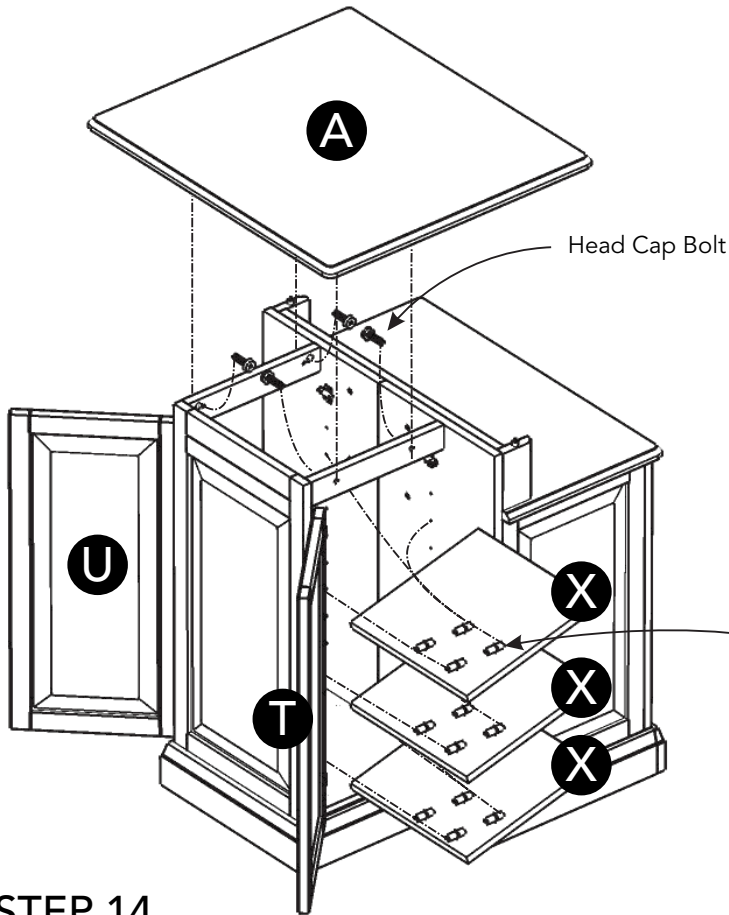


Z4.
Drawer Side
2 pcs.



Z5.
Drawer Bottom
2 pcs.

STEP 13



Insert Adjustable Pins into side panels at desired level.

Place Shelves (X) into position.

Attach Doors (T) and (U) to unit by sliding door hinges into side panel hinges. (See Figure 5)

Attach Top (A) to unit with Head Cap Bolts.

STEP 14

Insert Adjustable Pins into side panels at desired level.

Place Shelves (Y) into position.

Attach Doors (V) and (W) to unit by sliding door hinges into side panel hinges. (See Figure 6)

Attach Pull Handles to Doors (V) and (W) with Machine Screws. (See Figure 7)

Slide Drawers (Z) into position.

Level unit by adjusting the adjustable levelers on bottom of unit. (See Figure 8)

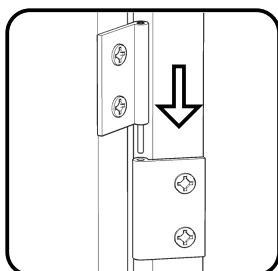
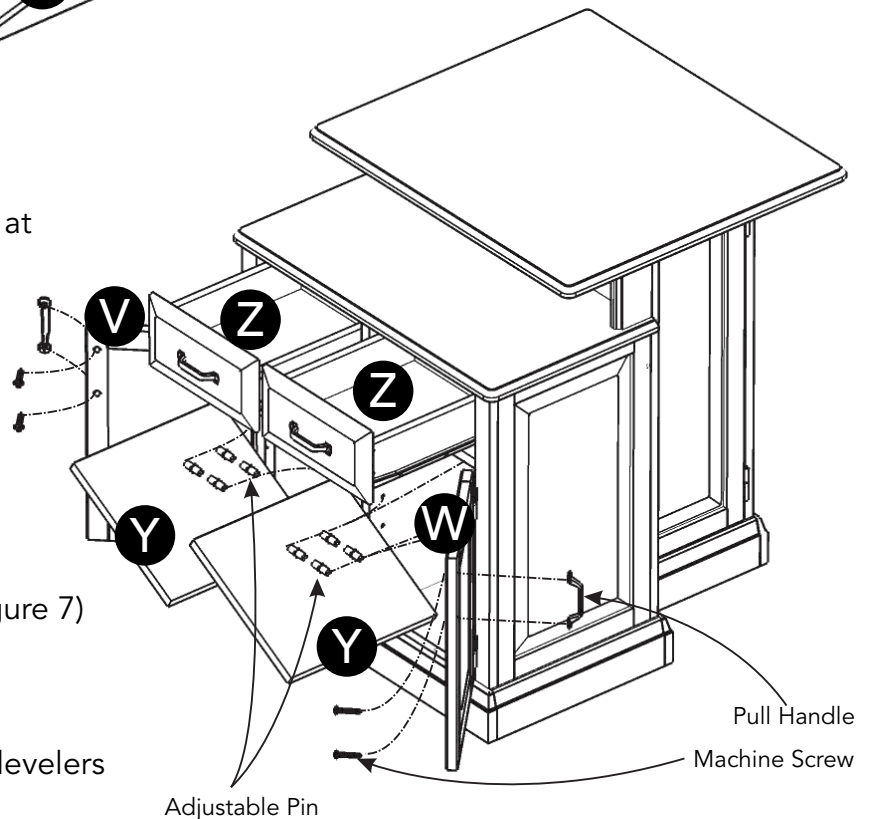


Figure 6

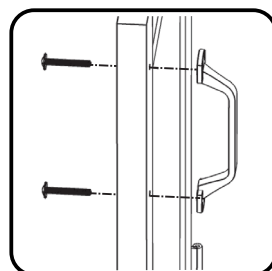


Figure 7

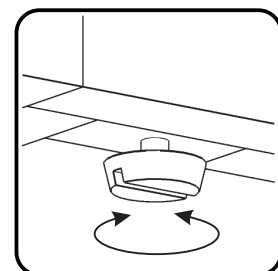


Figure 8

CARE INSTRUCTIONS

NEVER

allow liquids to remain on furniture.
Absorption causes parts to warp
and split and finishes to delaminate.

NEVER

use glass cleaners on
finished furniture. Ammonia
chemically attacks the finish.



Do not use power tools
above 8 volts to assemble.

**PREVENT
CRACKING**



Do not place
in direct sunlight.

**PREVENT
FADING**



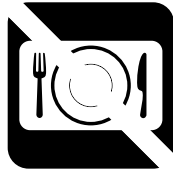
Do not write
directly on surface.

**PREVENT
MARKING**



Do not place hot
objects on surface.

**PREVENT
FINISH DAMAGE**



Do not use rubber
based placemats.

**PREVENT
DISCOLORING**



Do not use commercial
waxes and polishes.

**PREVENT
YELLOWING**

CLEAN

with a soft cloth moistened
in lukewarm soap and water.
Buff with a dry clean cloth.



Home Styles will provide replacements free of charge for missing or damaged hardware or parts within 30 days of purchase. Digital images of the defective parts may be required. If the product was not purchased from an authorized retail affiliate, Home Styles is under no obligation to provide replacement parts. Parts are not available for fully assembled items nor are parts available for sale. Replacements for missing or damaged hardware or parts may be requested at:

www.homestyles-furniture.com/customer-service/replacement-parts

Home Styles Customer Service: www.homestyles-furniture.com,
servicedesk@homestyles-furniture.com, 888-680-7460, 877-831-0319