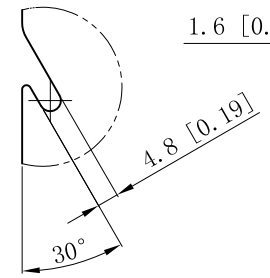
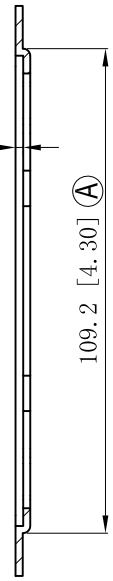


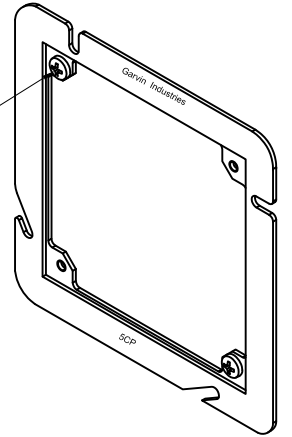
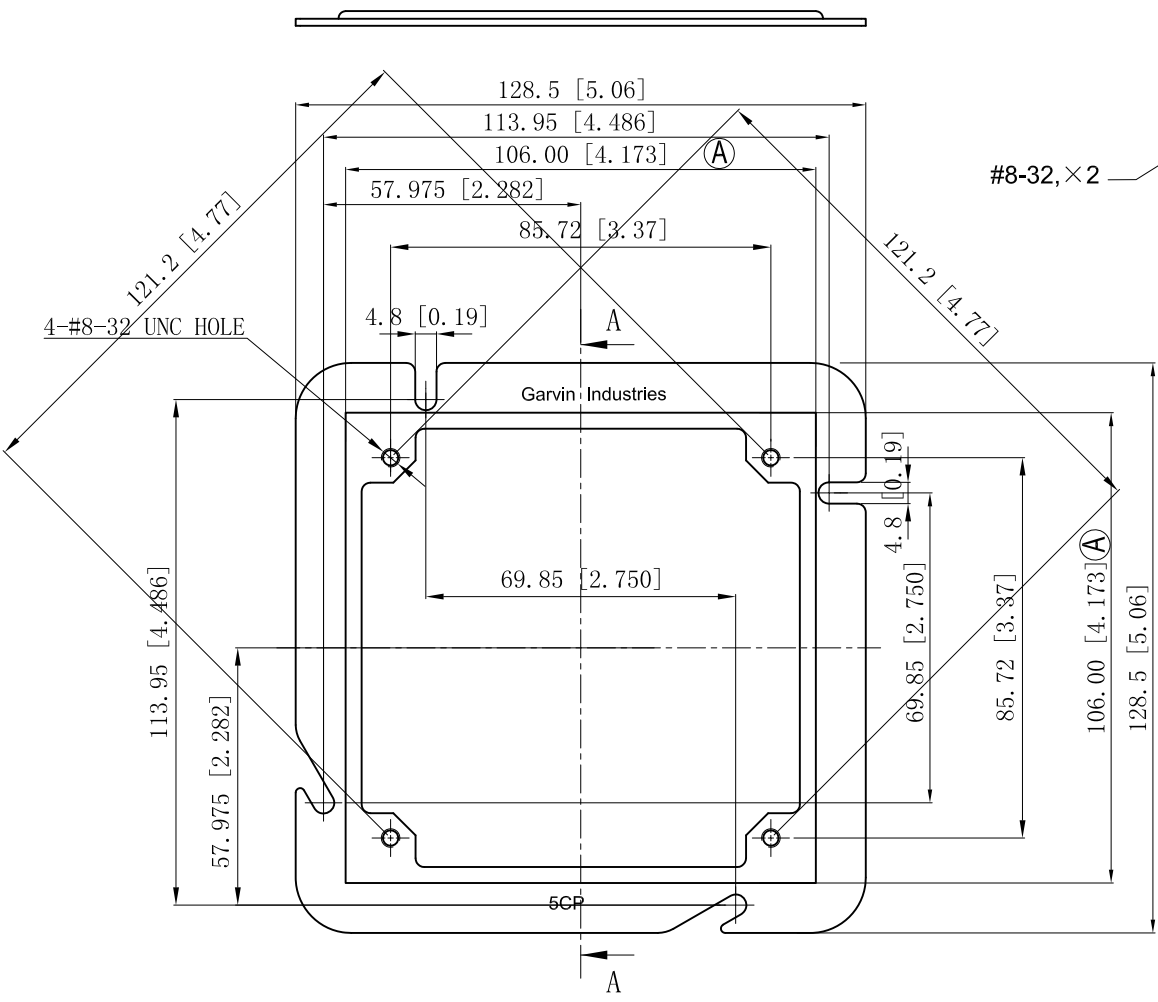
SIDES	BOTTOM
2 PCS 8-32×1/2 Screws Installed	
Material:Steel-0.0625"-G60 Galvanized	



VIEW B



CUTAWAY VIEW A-A



#8-32, × 2

This data sheet is for reference only .GARVIN INDUSTRIES reserves the right to make changes to the design without prior notice.

DESCRIPTION
TRADE REFERENCE TERMS

STANDARD PACKING	GARVIN INDUSTRIES		
	TITLE 5 SQUARE CONVERSION PLATE TO 4 SQUARE		
	SIZE A4	DWG NO. 5CP	REV A
DATA SHEET			
www.garvinindustries.com			