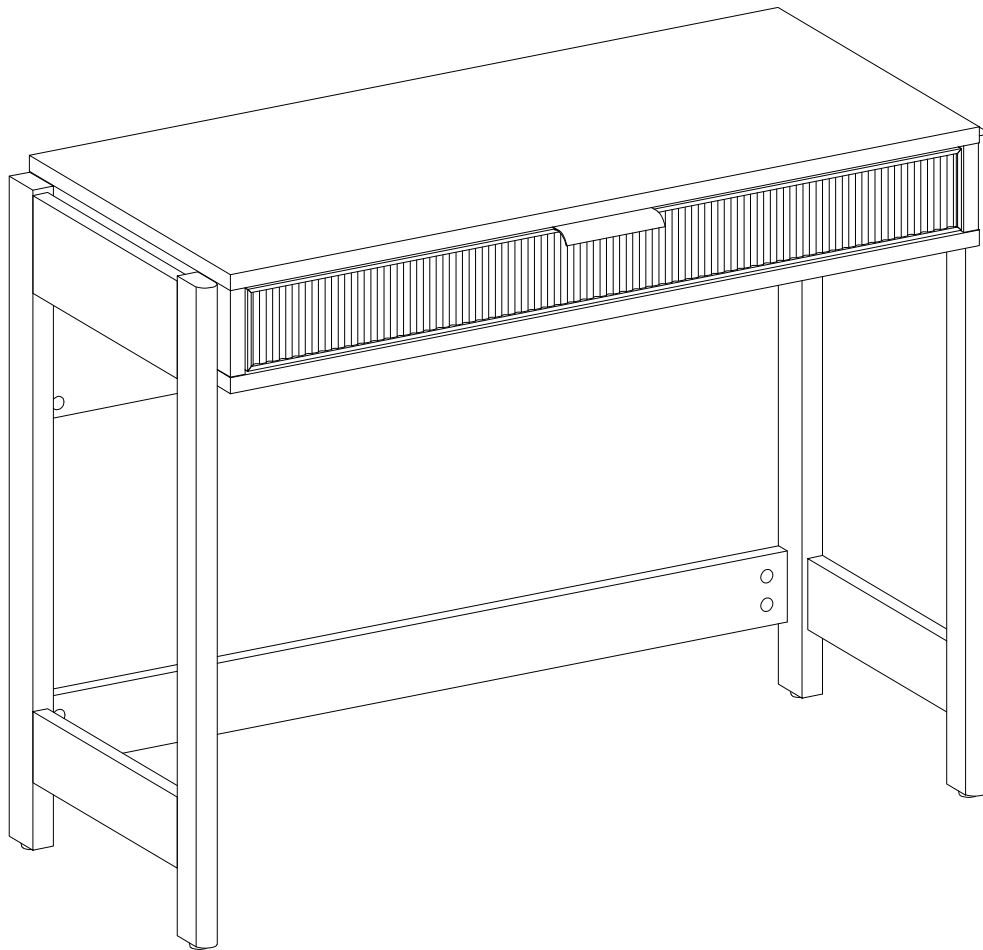


WALKER EDISON
TM

Holmes Writing Desk

SKU# WEHOL42OS1



For Residential Use Only

Please visit our website for the most current instructions, assembly tips, report damage, or request parts. www.walker-edison.com

WE Time to get started

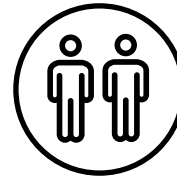
Set up a clean and soft workplace to get started and avoid damage during the assembly. It also helps to double-check you've got all the pieces and parts before diving in to assembly.

Estimated time for assembly



People recommended for assembly

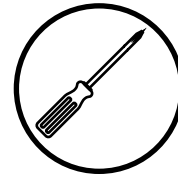
Make it a team effort! Grab a friend for quicker, easier assembly.



2 People Build

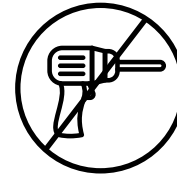
Tools Needed

Grab a Phillips head screwdriver to conquer this assembly



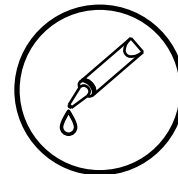
Use power tools with caution

You can cause cracking or damage to the material and easily strip the hardware. If you choose to use a power tool, your product will no longer be covered under Walker Edison's warranty.



Glue is provided to secure wood dowels in place

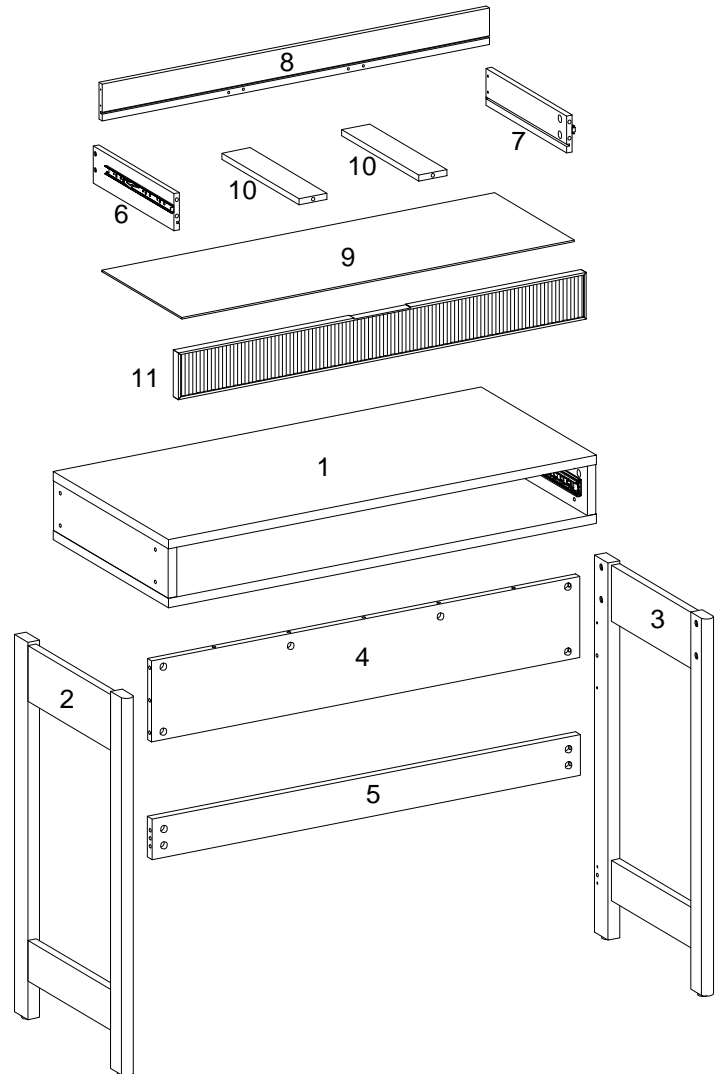
When inserting dowels, locate the appropriate hole, place a small amount of glue in the hole, and then insert the dowel. Wipe away excess glue immediately.



Scan to get assembly tips and help!


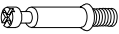


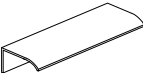
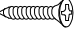




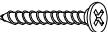
WE Parts List

Part Number	Description	Quantity
1	Desk Box	1
2	Left Panel	1
3	Right Panel	1
4	Back panel	1
5	Support Panel	1
6	Left Drawer Panel	1
7	Right Drawer Panel	1
8	Back Drawer Panel	1
9	Bottom Drawer Panel	1
10	Cross Bar	2
11	Front Drawer Panel	1





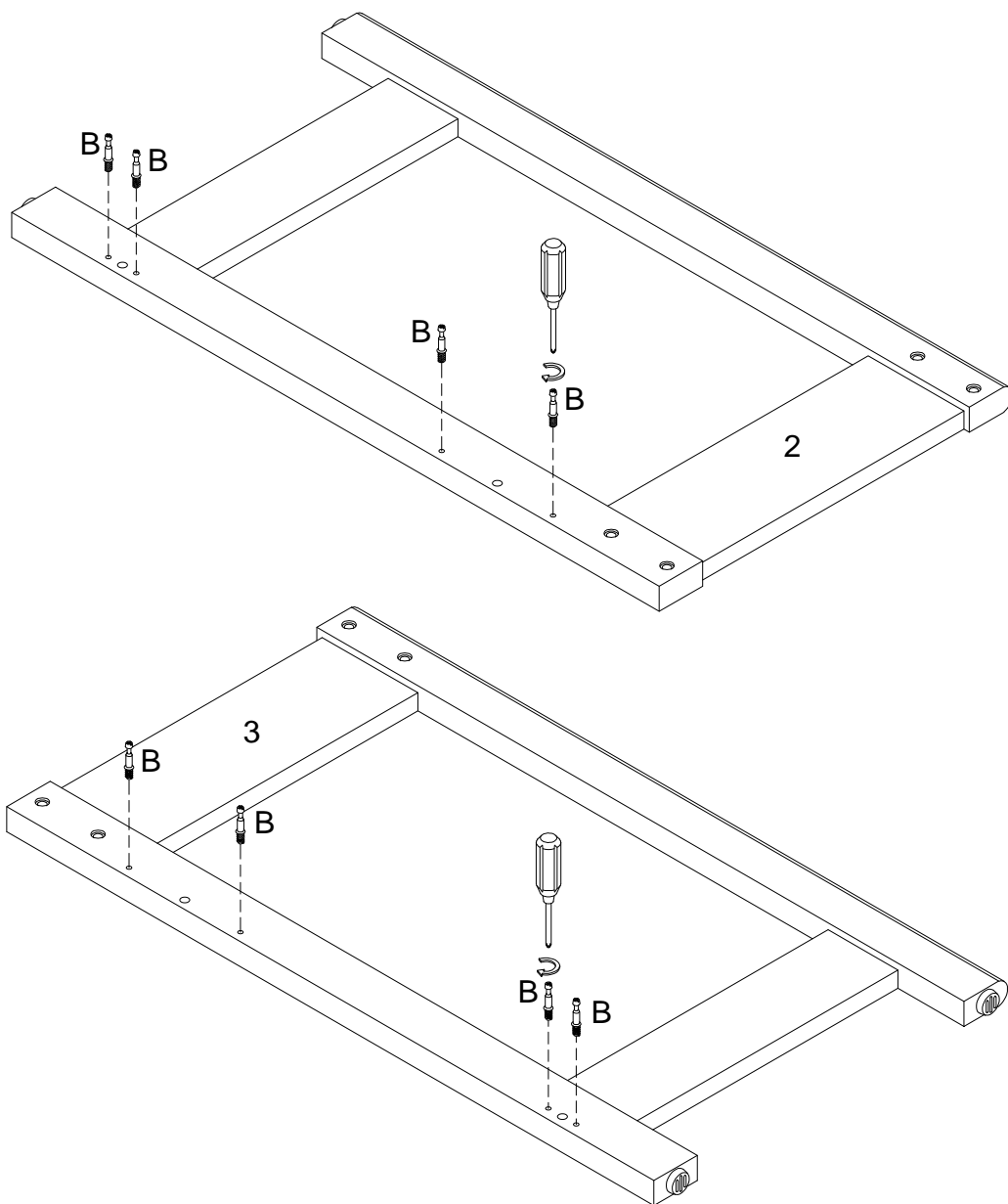
Hardware List

Part		Size	Name	Quantity
A		8x30mm	Wooden dowel	7
B		6x35mm	Cam bolt	16
C		15x11mm	Cam lock	10
D		M6x30mm	Bolt	8
E			Drawer Pull	1
F		3x12mm	Screw	2
G		M4x57mm	Hex key	1
H		30mm	Sticker	16
I			Glue tube	1
J		15x9mm	Cam lock	6
K		4x32mm	Screw	8

*The hardware quantities listed above are required for proper assembly.
Extra hardware pieces may be included.*

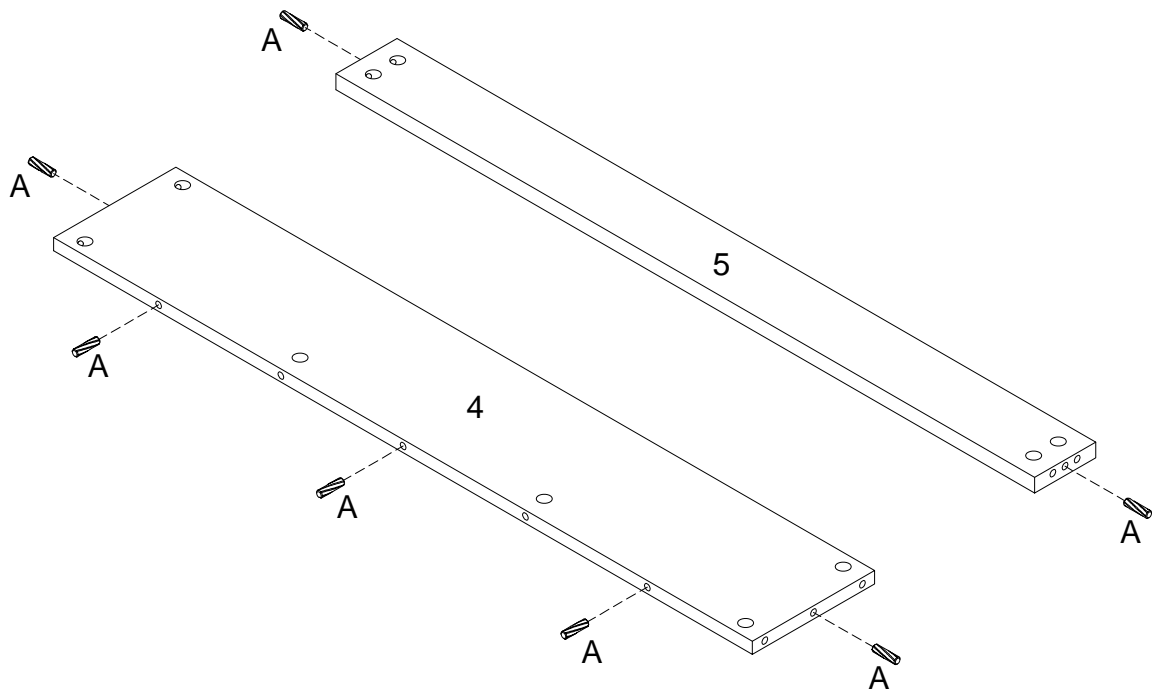
Step 1

Attach Cam Bolts (B) to the Left Panel (2) and the Right Panel (3).



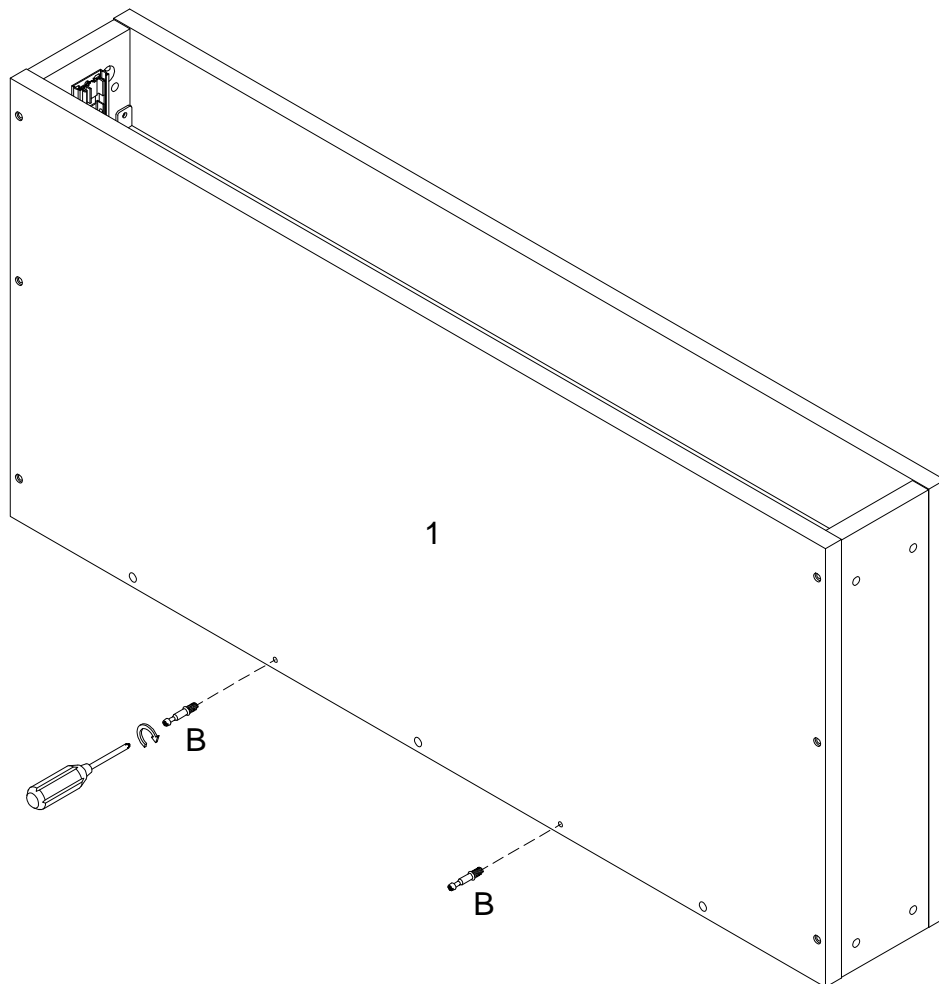
Step 2

Insert Wooden Dowels (A) into the dowel holes on the Back Panel (4) and the Support Panel (5).



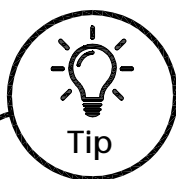
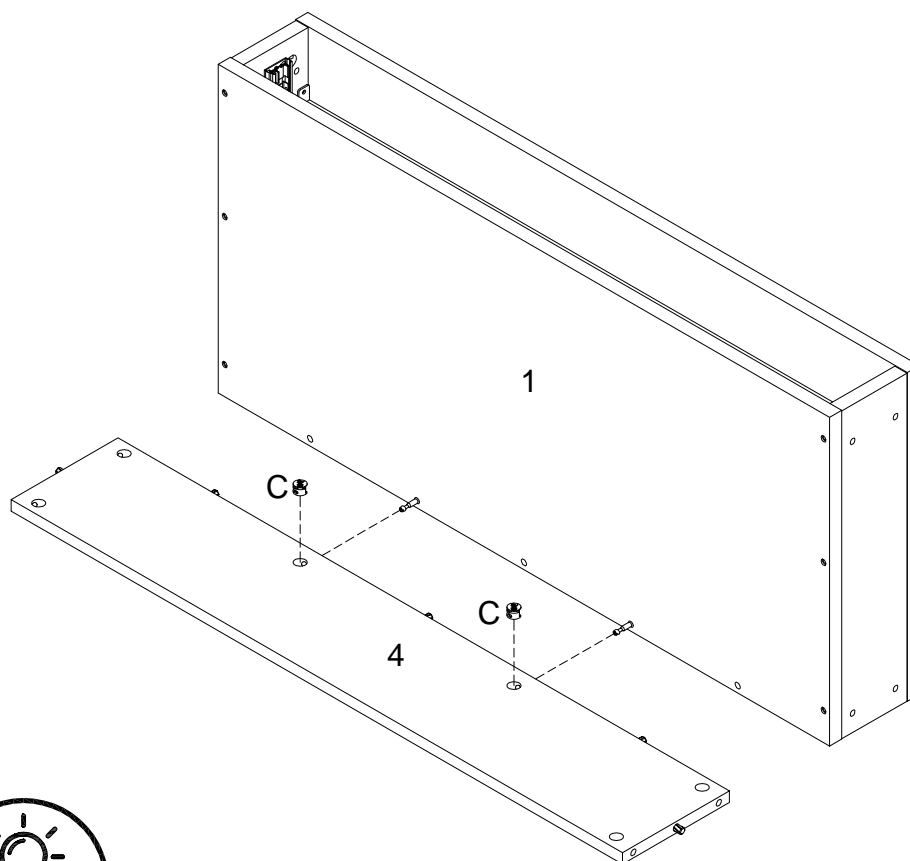
Step 3

Using a screwdriver, attach Cam Bolts (B) to the Desk Box (1).



Step 4

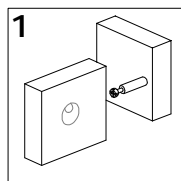
Attach the Back Panel (4) to the underside of the Desk Box (1) using the Cam Locks (C). Secure with a screwdriver.



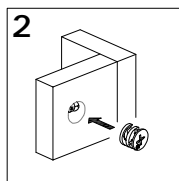
Tip

Cam Locks

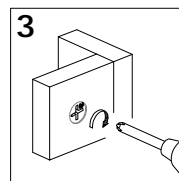
Cam Locks help securely join two pieces together.
Follow these easy steps.



1: Insert Cam Bolt into bolt holes on the flat side. Don't over tighten!



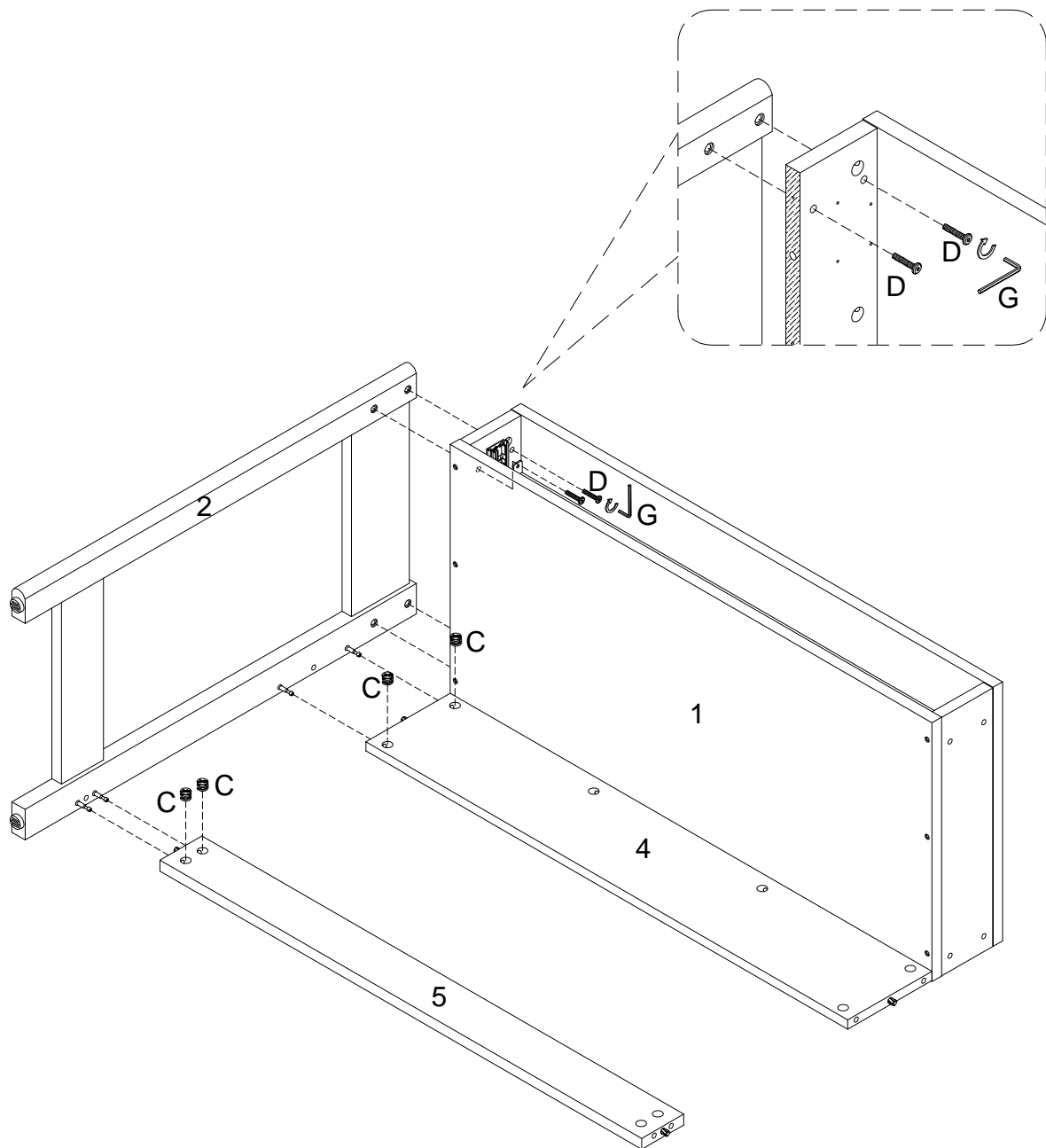
2: Fit the proper holes on the edge of the other part over the Cam Bolts. You should be able to see the cam bolts through the larger hole on the side.



3: On the back of the Cam Lock will be a "C" shape. Insert the Cam Lock so the opening of the "C" fits over the Cam Bolt. Tighten with the screwdriver.

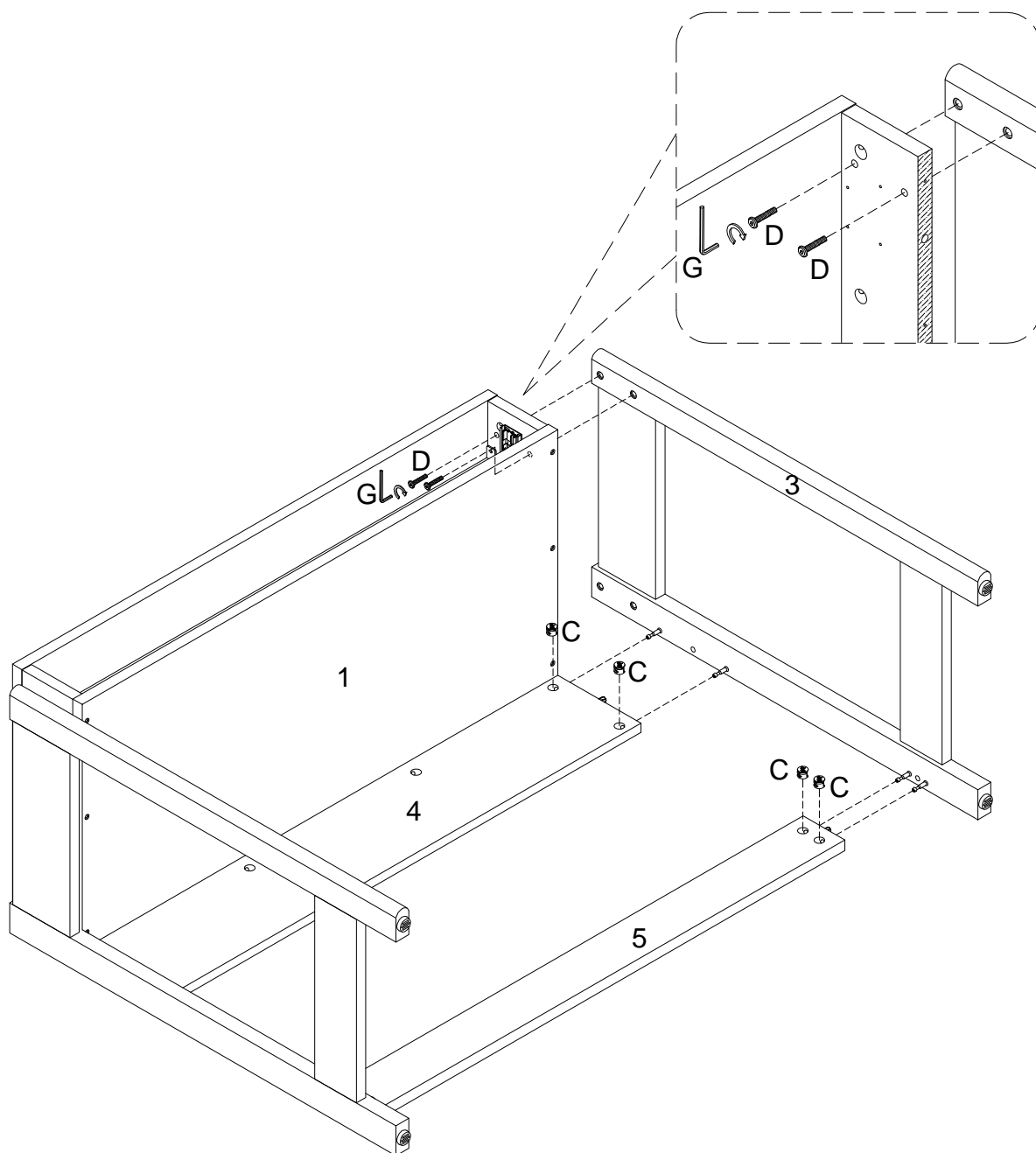
Step 5

Attach the Left Panel (2) to the Desk Box (1), Back Panel (4), & Support Panel (5) using Cam Locks (C). Then attach the front of the Desk Box (1) to the Left Panel (2) using 30mm Bolts (D). Secure with the provided Hex Key (G).



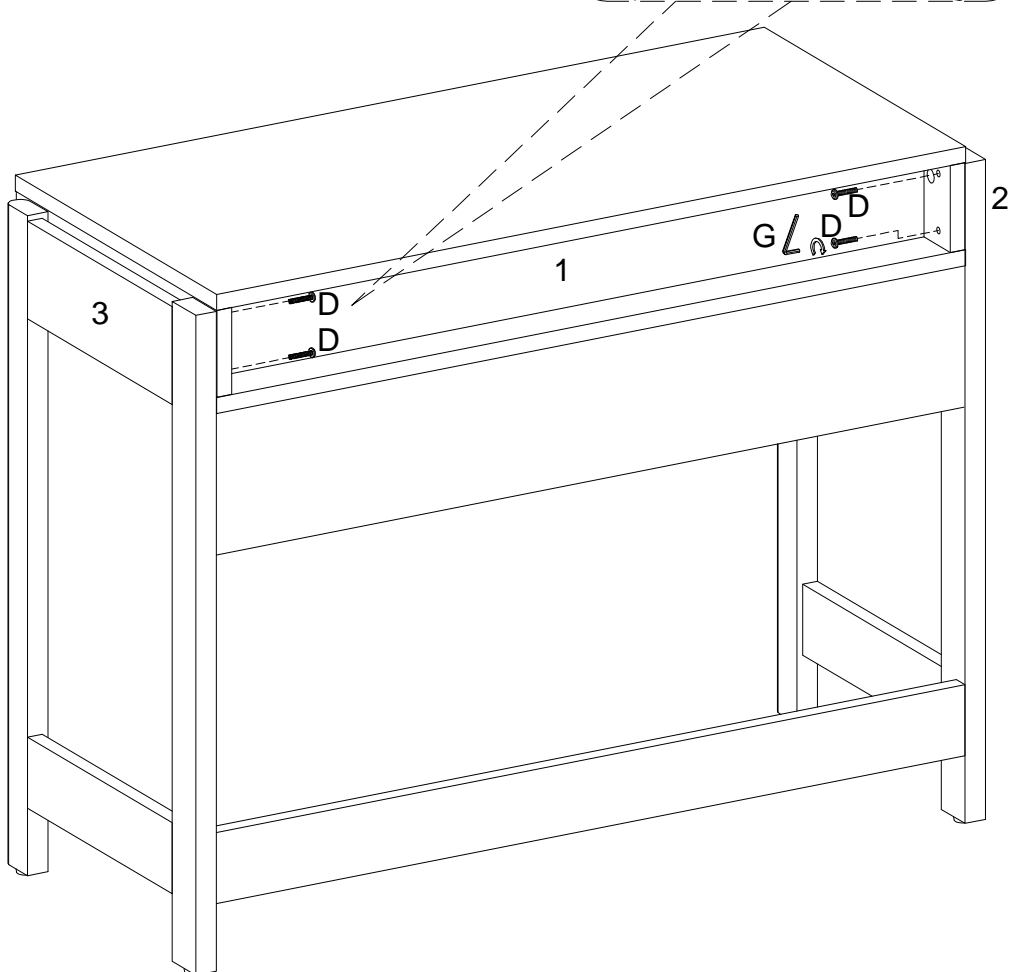
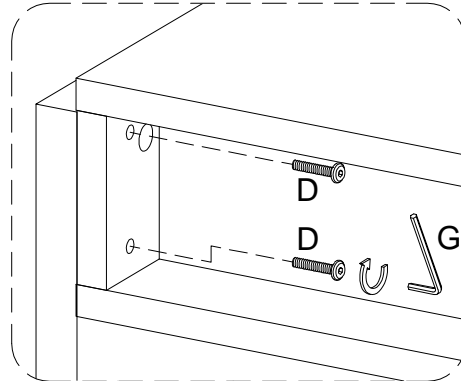
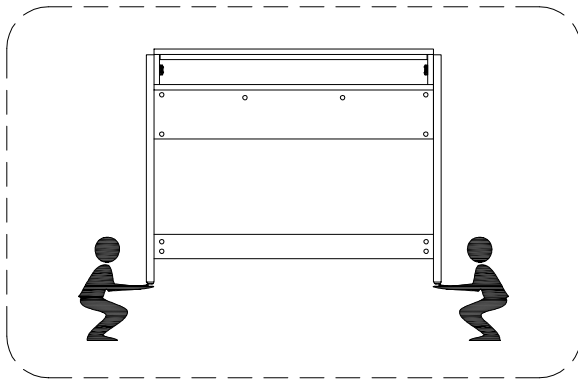
Step 6

Repeat the process for the other side. Attach the Right Panel (3) to the Desk Box (1), Back Panel (4), & Support Panel (5) using Cam Locks (C). Then, attach the front of the Desk Box (1) to the Right Panel (3) using 30mm Bolts (D). Secure with the provided Hex Key (G).



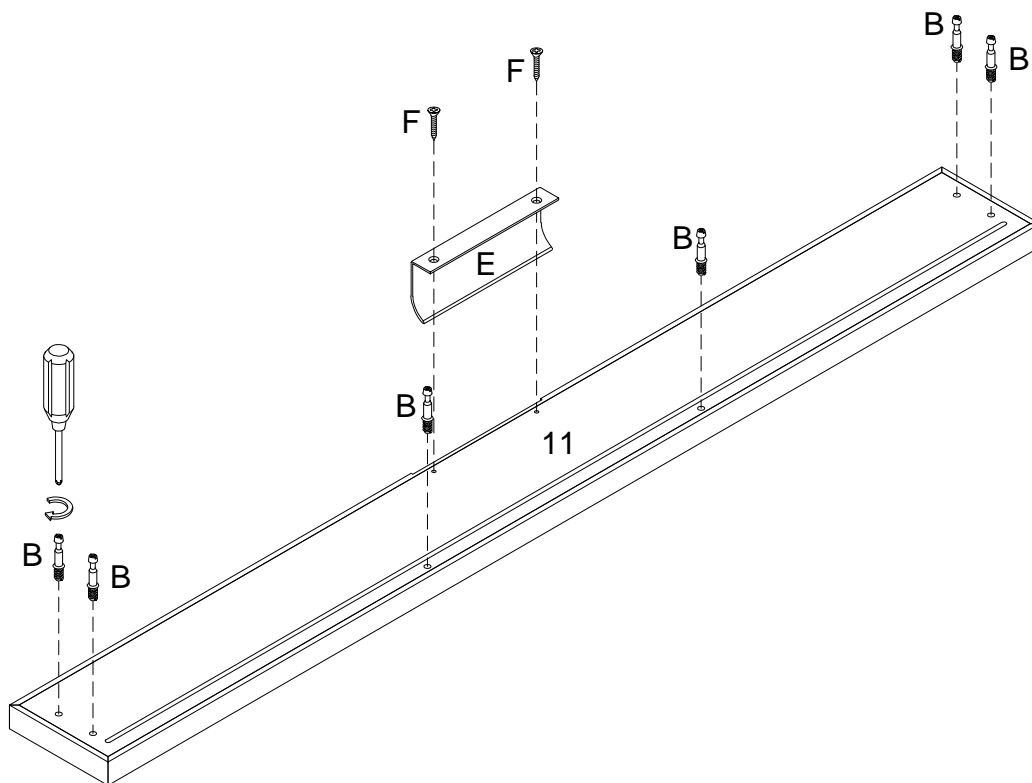
Step 7

Secure the Right Panel (3) and Left Panel (2) to the back of the Desk Box (1) using 30mm Bolts (D).



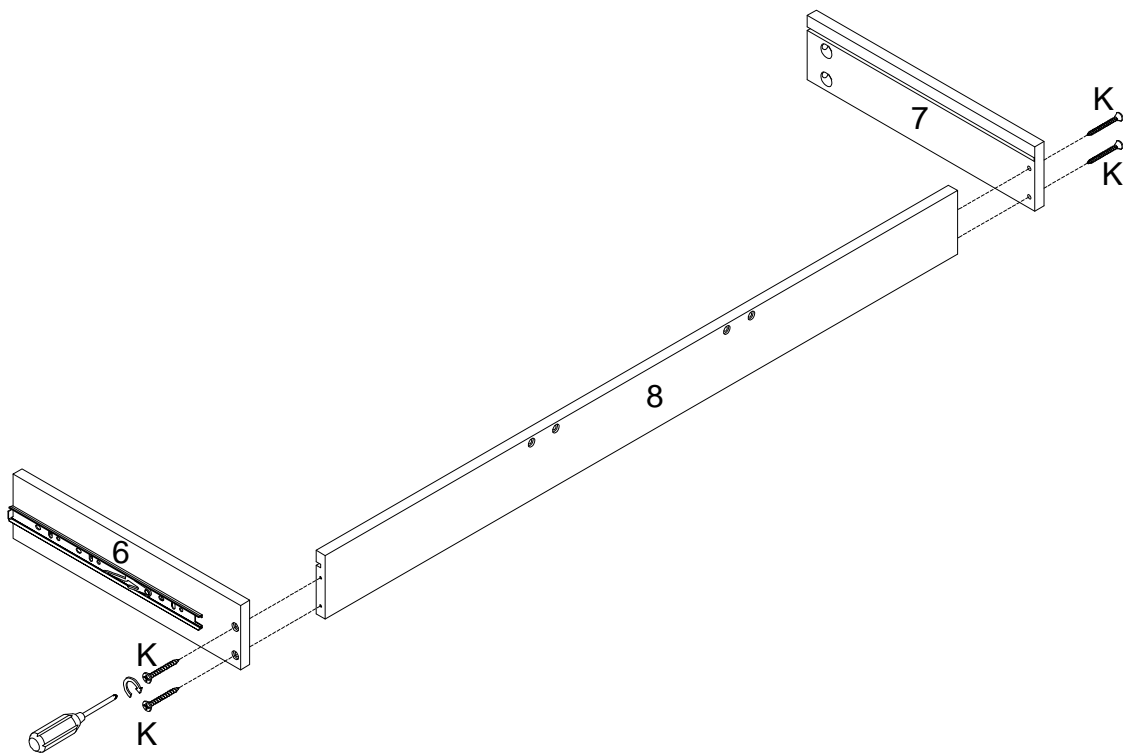
Step 8

Screw Cam Bolts (B) into the Drawer Front Panel (11).
Then attach the Drawer Pull (E) using 12mm Screws (F).



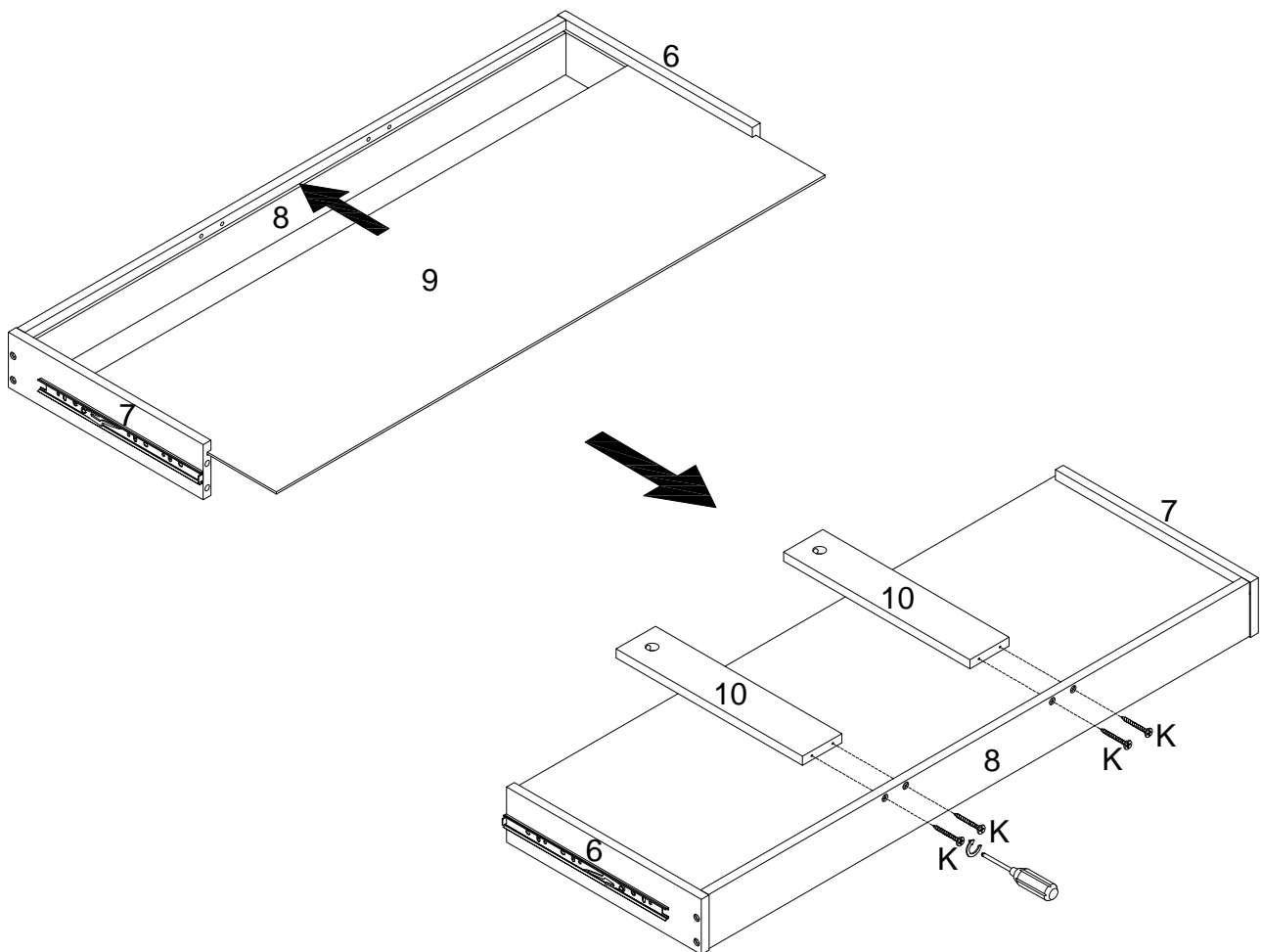
Step 9

Attach the Left Drawer Panel (6) and Right Drawer Panel (7) to the Back Drawer Panel (8) using four 32mm Screws (K). Note: Ensure that the grooves are lined up across the three pieces.



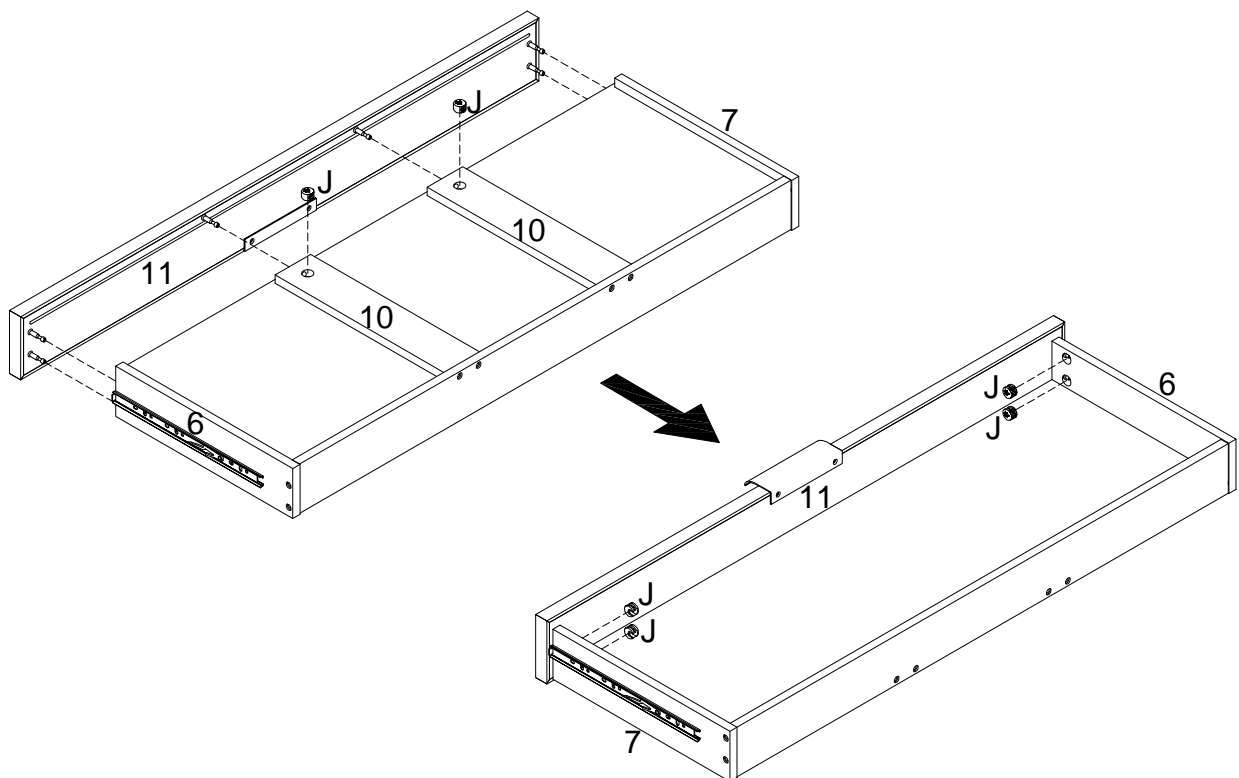
Step 10

Slide the Bottom Drawer Panel (9) into place using the grooves. Then attach the two Cross Bars (10) under the panel. Secure using 32mm Screws (K).



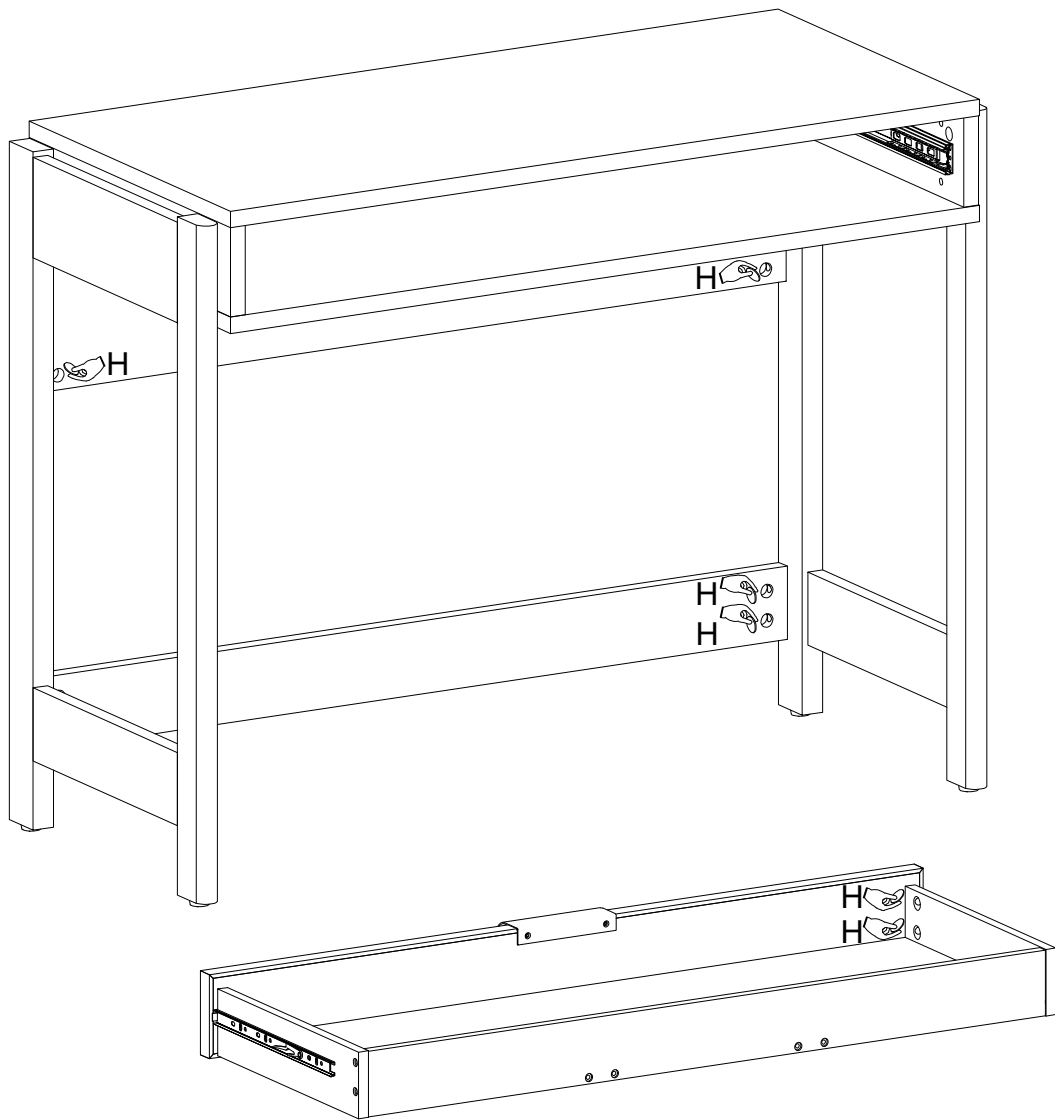
Step 11

Attach the Front Drawer Panel (11) to the rest of the drawer box. Secure using Cam Locks (J).



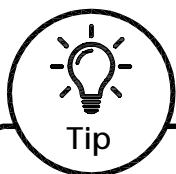
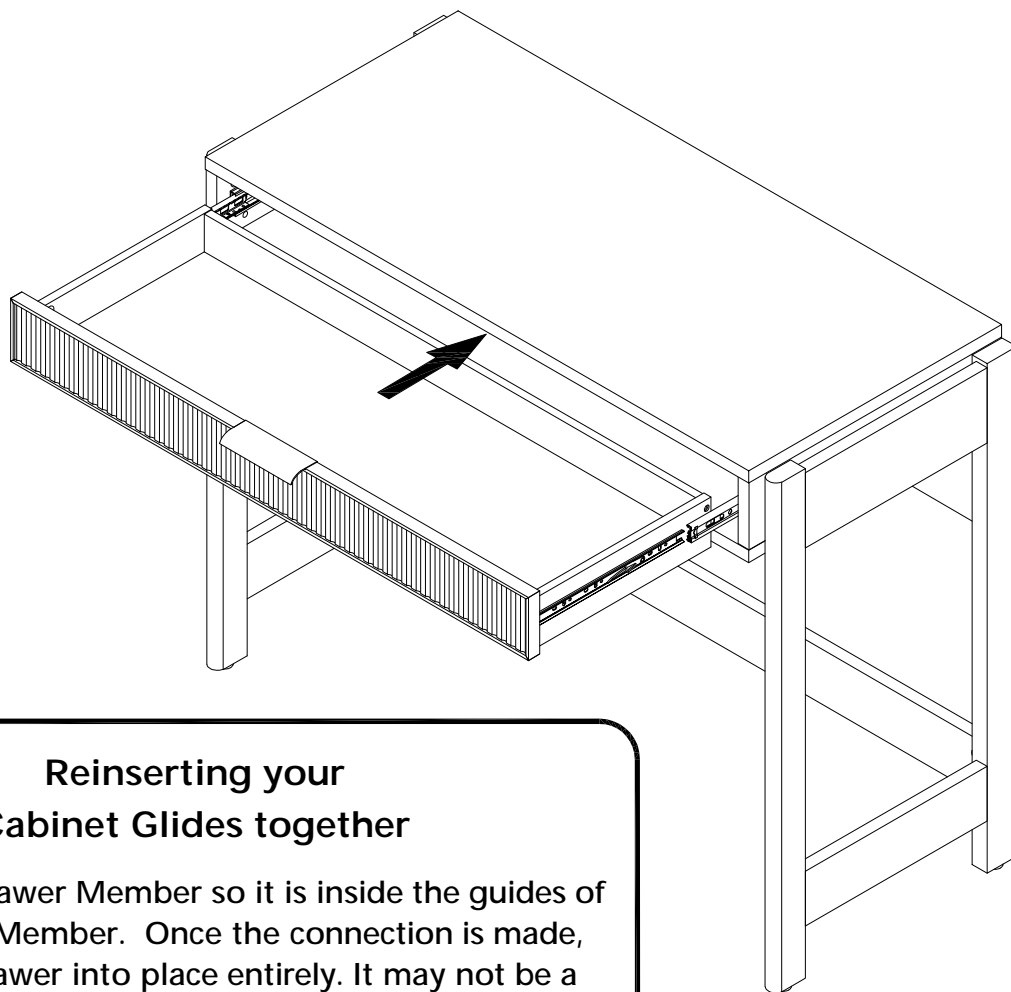
Step 12

Cover any visible Cam Locks with Stickers (H).



Step 13

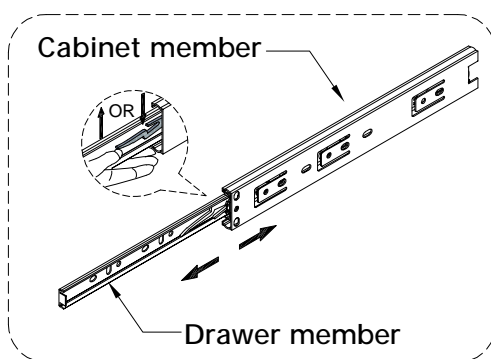
Lastly, insert the drawer back into the Desk Box (1).
Line up the Drawer member with the Cabinet Member, give it a push, that's it!



Tip

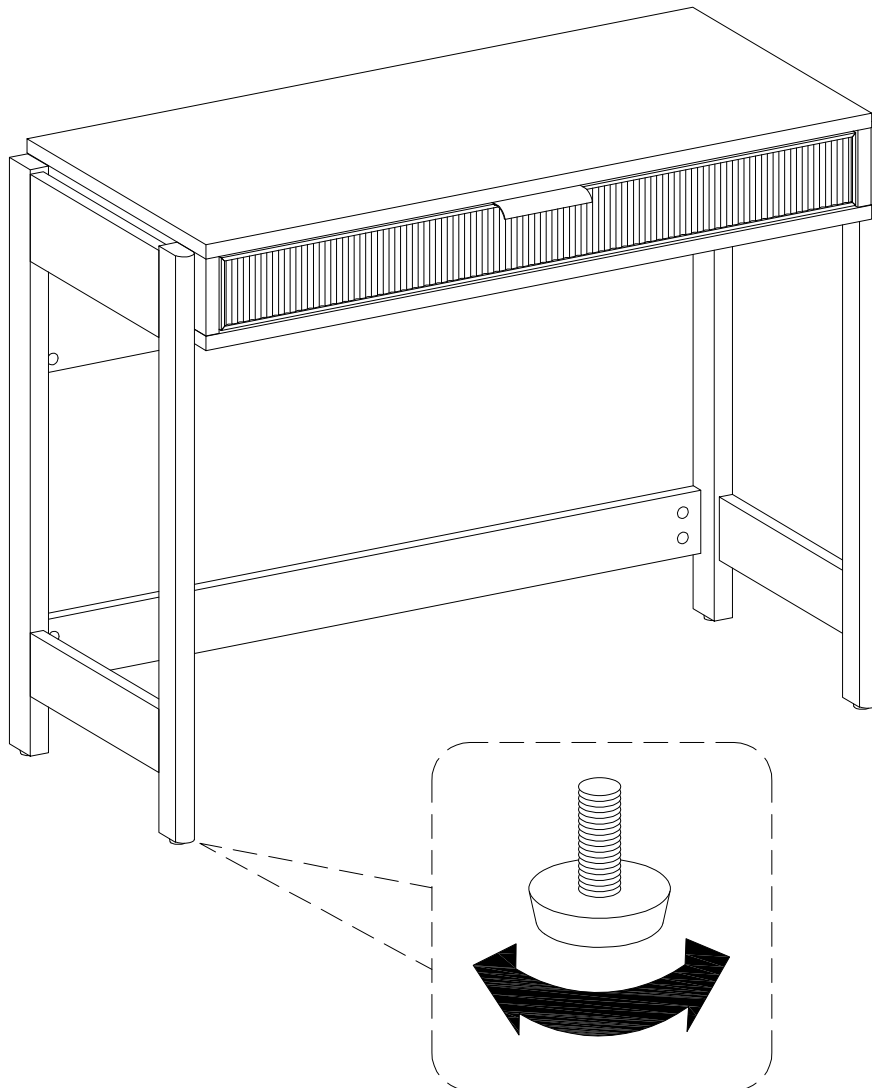
Reinserting your Cabinet Glides together

Line up the Drawer Member so it is inside the guides of the Cabinet Member. Once the connection is made, push the drawer into place entirely. It may not be a smooth glide on your first try, but will improve after it's fully inserted.

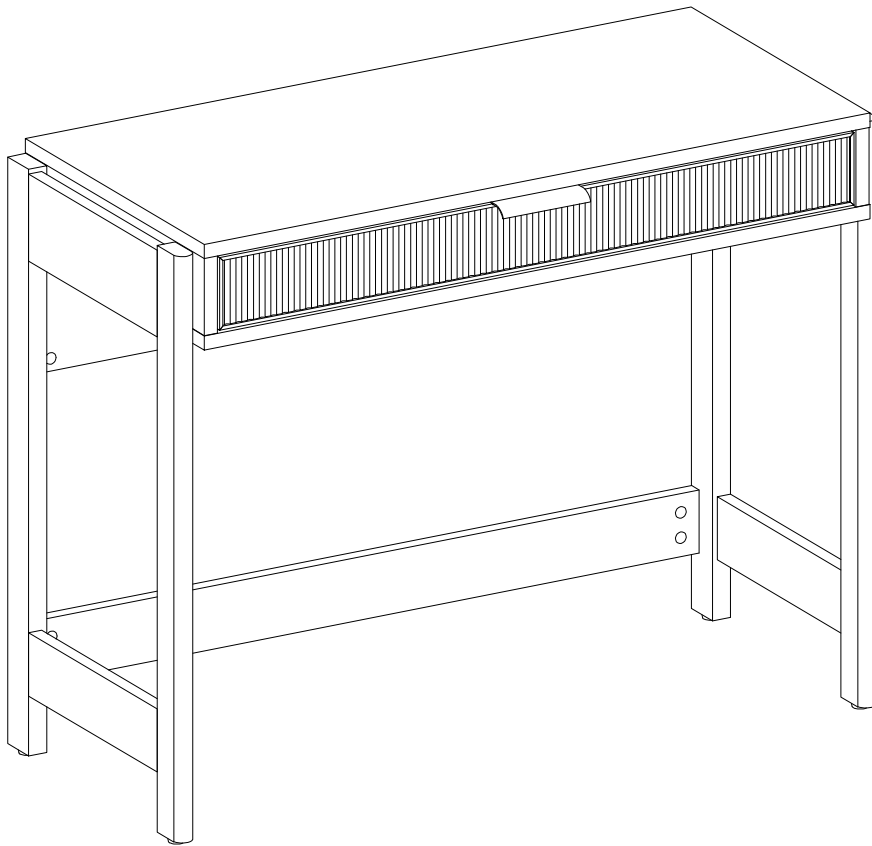


Step 14

Use the adjustable feet to create a level writing surface and you're set! Enjoy your new desk!



Final Assembly



Congratulations on your new piece of furniture!

We would love to hear about it and see it.
Please leave us a review or post a picture with
#mywalkerredisonhome

Assembling furniture can be tricky sometimes.

Our customer service team, located in Utah, is here for product information, help assembling a product, or for any other customer support issue

Call us at **801-433-3008**

Email us at service@walkeredison.com

Visit our Customer Service website at
walkeredison.com/pages/customer-service

We are available to help Monday -Thursday 8am-5pm, Friday
8am-3pm MST

For details on Assembly Videos, Assembly Instructions,
Replacement Parts, and Customer service,

SCAN HERE

