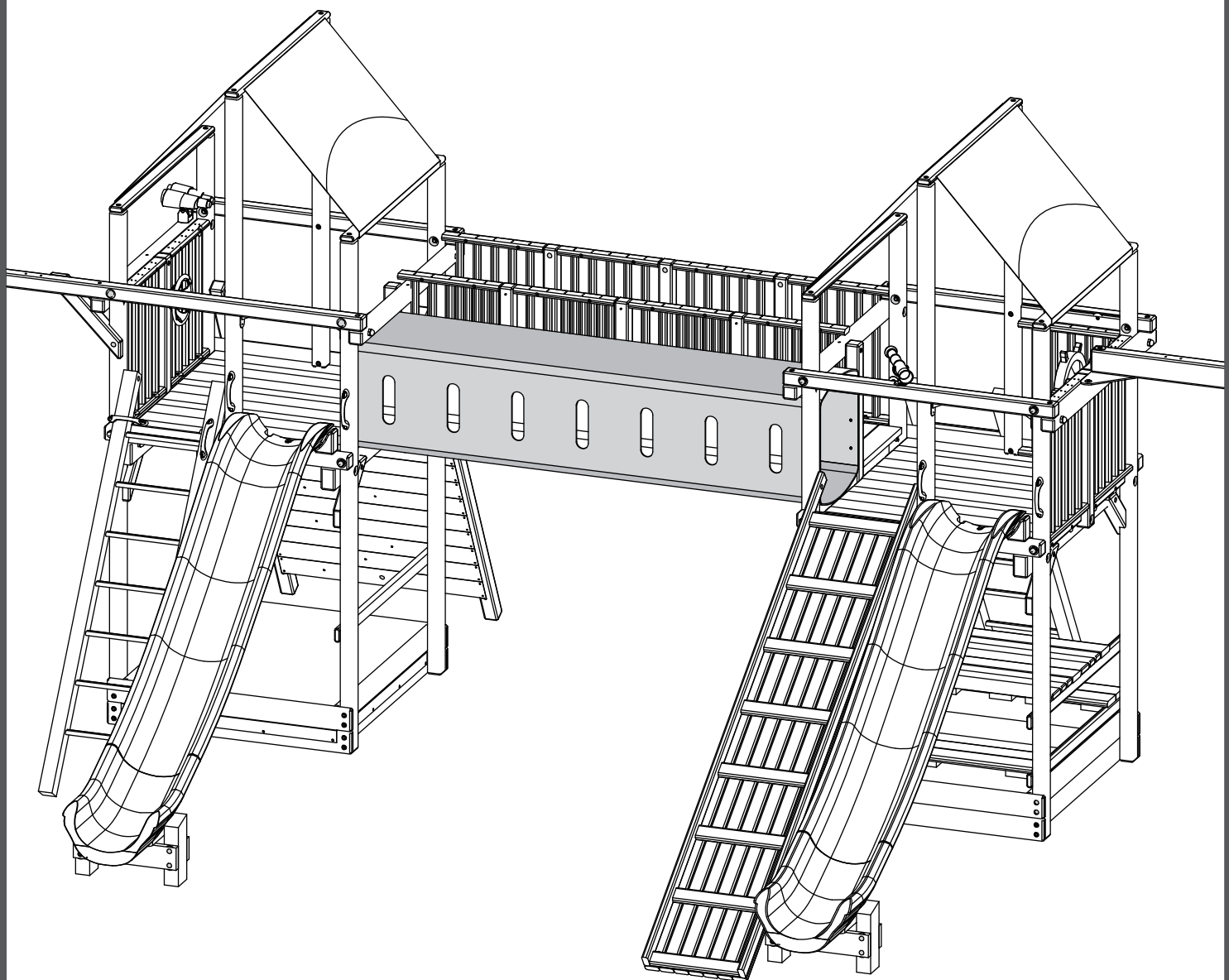




**CRAWL TUBE**  
**Assembly Instructions**



Every day is a great day in Woodplay.™

2101 Harrod Street • Raleigh, NC 27604 • 800/982-1822 • 919/875-4499 • Fax 919/875-4264 PA-MAN-CRAWL-00

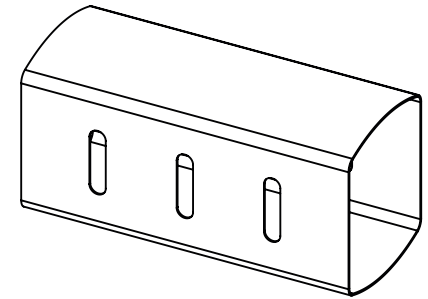
©2015 Woodplay. All rights reserved.

## HARDWARE

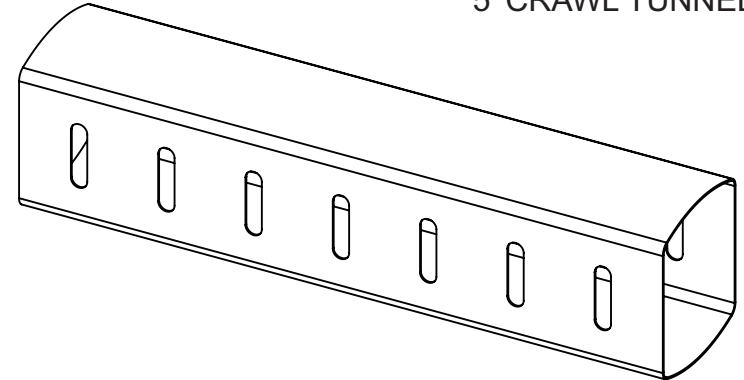
PART NUMBER	DESCRIPTION	QTY.
HW-TRX-1-4X2-1-2	1/4"X2 1/2" TORX HEAD SCREW	6

## TUNNEL OPTIONS

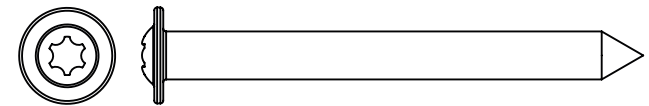
PART NUMBER	DESCRIPTION
KT-CRAWL-10-G	10' CRAWL TUNNEL GREEN
KT-CRAWL-10-Y	10' CRAWL TUNNEL YELLOW
KT-CRAWL-5-G	5' CRAWL TUNNEL GREEN
KT-CRAWL-5-Y	5' CRAWL TUNNEL YELLOW



5' CRAWL TUNNEL



10' CRAWL TUNNEL



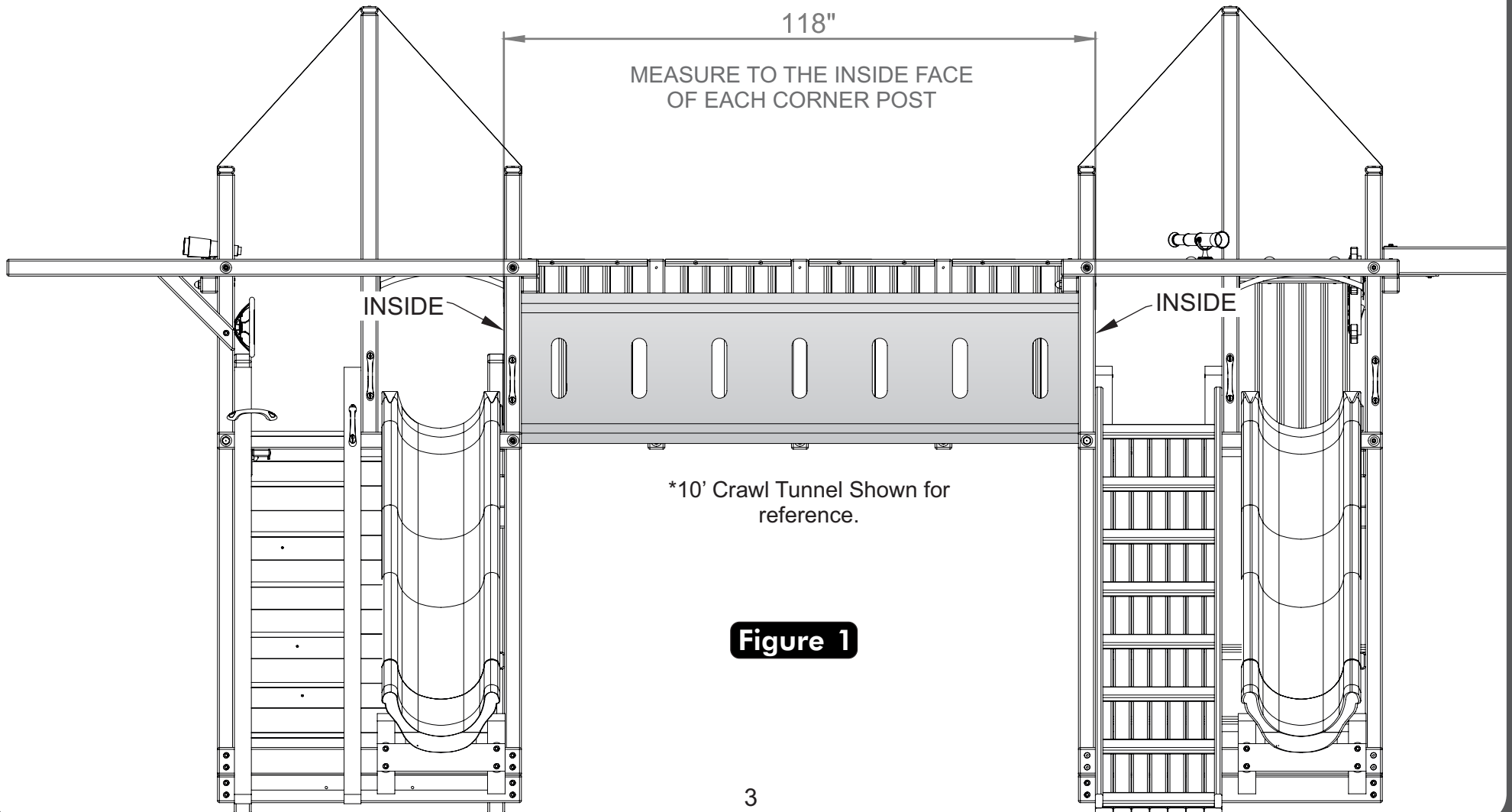
1/4"X2-1/2" TORX HEAD SCREW

**Note:** At least 2 capable people are recommended for the assembly of the crawl Tunnel.

### DISTANCE BETWEEN PLAYGROUND SETS

**Note:** Spacing for the 10' Tunnel between sets will be 118" and for a 5' tunnel it will be 60" see **Figure 1**.

1. Space the two playground sets your are going to connect with the Crawl tunnel.  
Make sure you measure to the inside face of Corner post, this way the Crawl tunnel will be flush with the corner posts.







## No Kidding Guarantee

**5-Year Warranty** on all Woodplay components and accessories that are not covered under the Limited Lifetime Warranty. Woodplay will repair or replace, at our option, any Woodplay above-ground playset component which fails within five years after the date of delivery as a result of a defect in materials or workmanship. All other qualifications also apply listed under the Limited Lifetime Warranty below.

**Limited Lifetime Warranty** on all Woodplay wooden playset components, swing hangers, swing chains, metal braces, metal rungs, hardware, and our exclusive Super Slide and Alpine Slide. Woodplay warrants to the original retail customer that we will replace any Woodplay wooden playset component suffering structural failure due to warping, rotting, or insect damage. This warranty does not cover knots in the wood, surface cracking or seasonal checking of components. Knots, surface cracking and seasonal checks are a natural characteristic of all wood, including redwood, and will not affect the integrity of your playset. Woodplay warrants to the original retail customer that we will replace any swing hangers, swing chains, metal braces, metal rungs or hardware that fail due to rust or breakage (excludes surface rust). This limited lifetime warranty also applies to our exclusive Super Slide and Alpine Slide. This warranty is expressly in lieu of all other warranties, expressed or implied, including warranties of merchantability or fitness for use. Woodplay does not assume, or authorize any person or representative to assume for us, any other liability in connection with the sale of our products. These warranties exclude any incidental or consequential damages which may arise from the purchase or use of our equipment. Some states do not allow the exclusion or limitation of consequential damage, so the above limitation or exclusion may not apply to you. This warranty program applies only to the original owner and is limited to residential and noncommercial use of the products. Customer must register the playset purchase at [www.woodplay.com](http://www.woodplay.com) to be eligible for warranty. A copy of the original invoice must accompany all warranty claims. Freight and labor charges are not included. This warranty program does not cover normal wear and tear, or damages resulting from misuse, abuse, vandalism, alteration, acts of God, or assembly and maintenance contrary to our instructions. Woodplay reserves the right to examine photographs and/or the component itself-shipped freight prepaid by the customer prior to potential replacement. Questions about this warranty should be addressed to the **Customer Service Department at 817 Maxwell Ave., Evansville, IN 47711, or call 1-800-WOODPLAY.**

**Special Note:** Woodplay reserves the right to make changes in materials, design, and pricing without notice. See your instruction manual for maintenance requirements. Your child's safety is your responsibility; therefore, you should inspect this equipment regularly for wear and safety.