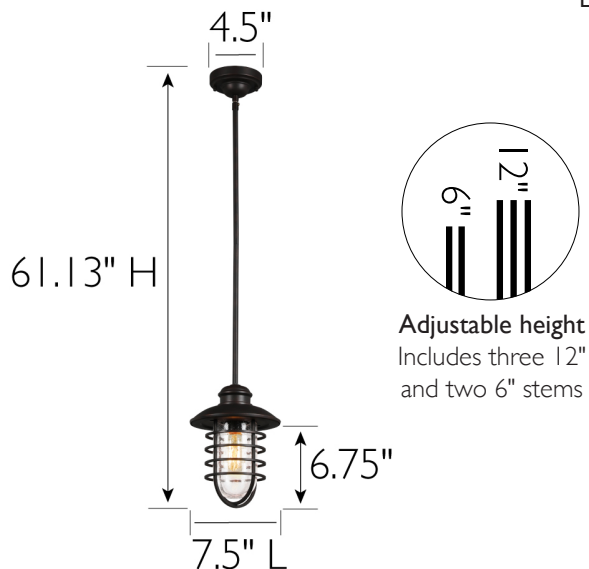


Stevenson I-Light Indoor Mini Pendant Light

Bronze



SPECIFICATIONS

MOUNTING:	Mini Pendant	LED BRIGHTNESS (LUMENS):	N/A
SLOPED CEILING ADAPTABLE:	No	LED COLOR CORRELATED TEMPERATURE (CCT):	N/A
LAMP TYPE 1:	Incandescent	LED COLOR RENDERING INDEX (CRI):	N/A
BULB INCLUDED:	No	LED EFFICACY:	N/A
WATTS PER BULB:	60W	LED AVERAGE RATED LIFE:	N/A
TOTAL WATTAGE:	60W	ENERGY EFFICIENT:	No
DIMMABLE:	Yes	LIGHTING AMPS:	0.5
MATERIAL CONSTRUCTION:	Steel/Glass	VOLTAGE:	120V
ASSEMBLED DIMENSIONS:	61.13" H x 7.5" L x 7.5" D		
WEIGHT:	2.31 lbs.		
BACKPLATE DIMENSIONS:	N/A		
CANOPY/PLATE DIMENSIONS:	1.75" H x 4.5" W x 4.5" D		
GLASS/SHADE DIMENSIONS:	6.75" H x 3.5" W x 3.5" D		
GLASS/SHADE MATERIAL:	Glass		
GLASS/SHADE TYPE:	Seedy		
GLASS/SHADE COLOR:	Clear		

WARRANTY:	10-Year limited warranty
UL/ETL CERTIFICATION:	UL
WET/DRY/DAMP LISTING:	Wet
ADA COMPLIANT:	No
ENERGY STAR CERTIFIED:	No



TYPE:
JOB:
ORDER CODE:
APPROVALS: