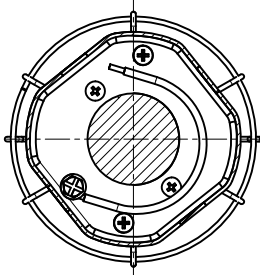
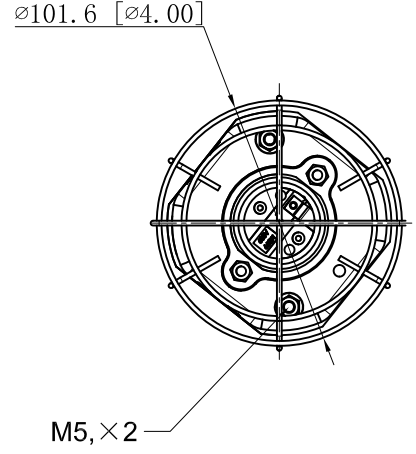
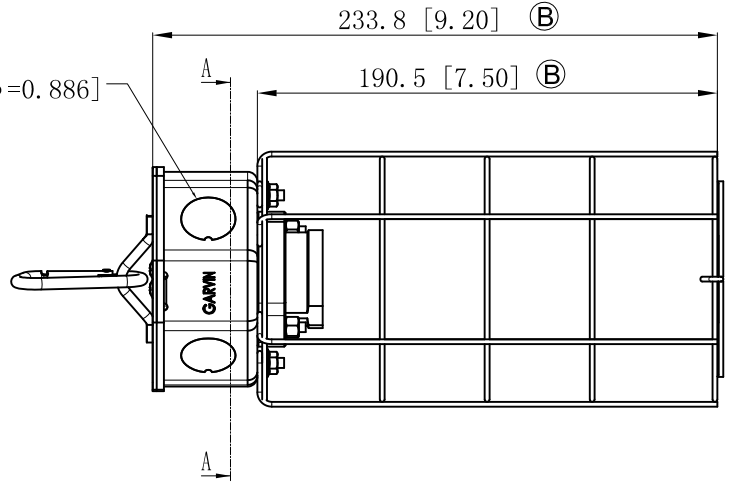
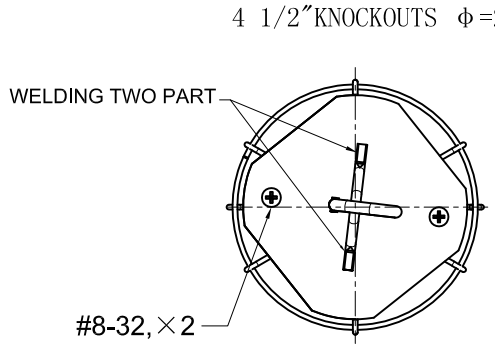
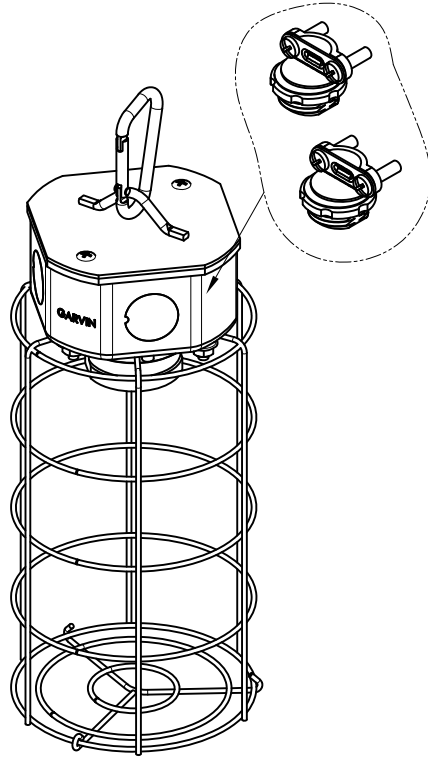


SIDES	BOTTOM
4 1/2" KNOCKOUTS	
2 pcs #8-32×1/2 Screws Installed	
#10-32×3/8 Green Screws Installed	
2 pcs M5 Flat washer	
Material:Steel-0.0625"-G60 Galvanized	
14AWG 8" long stranded wire with both end stripped ,green wire	
14AWG 6" long stranded wire with both end stripped ,white wire	
14AWG 6" long stranded wire with both end stripped ,black wire	



CUTAWAY VIEW A-A



This data sheet is for reference only .GARVIN INDUSTRIES reserves the right to make changes to the design without prior notice.

DESCRIPTION
TRADE REFERENCE TERMS

STANDARD PACKING
1 PCS

<h1>GARVIN INDUSTRIES</h1>			
TITLE			
SIZE	DWG NO.	TLM	REV
A4		DATA SHEET	B
www.garvinindustries.com			