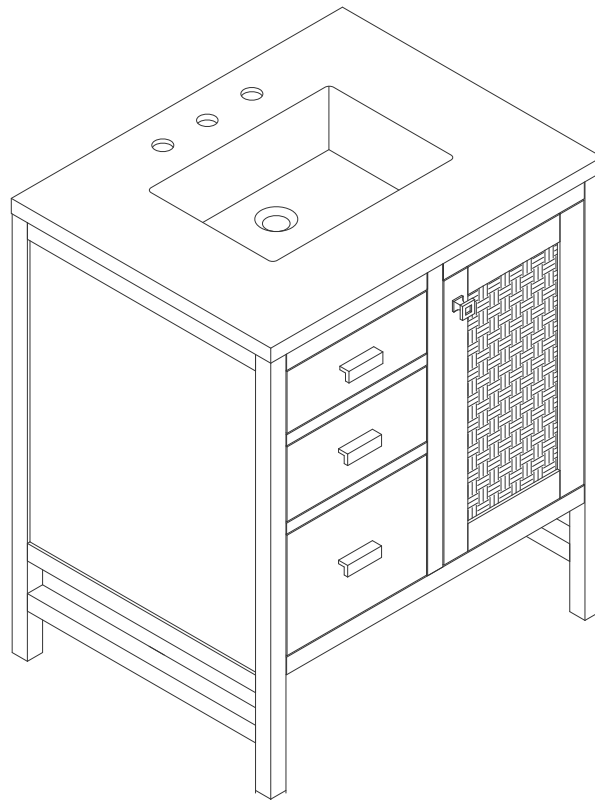


30" ADDISON VANITY

JAMES MARTIN
VANITIES

E444-V30-MCA



Features and Materials

Solids: Para Wood and Yellow Poplar

Veneers: Mango

Panels: MDF

Installation Type: Floor Standing

Number of Basins: One, with Optional 3cm Top

Vanity Top Included: NO, Optional 3cm Tops Available with Sinks

Overflow: Yes, Front Facing

Number of Doors: One

Number of Drawers: Three

Number of Tip Outs: One

USB/Power Component: YES (ETL5011080)

Cord Length: 6'6"

Assembly Type: Yes, with Optional 3cm Top

Bamboo Storage Tray: YES

Door Panel: Reversible. One Side Finished in Mid-Century Acacia, One Side Natural Cork (Pattern: Herringbone)

Drawer Box Material and Construction: 15mm Poplar/English Dovetail Joinery

Hardware Material and Finish: Zinc Alloy in Burnished Nickel

Fits Drain Hole Size: 1 3/4"

Full Extension, Soft Close Glides

European Soft Close Hinges

Aluminum Laminate Drawer Liners

Adjustable Levelers

Dimension

Width: 29-7/8"

Depth: 23-3/8"

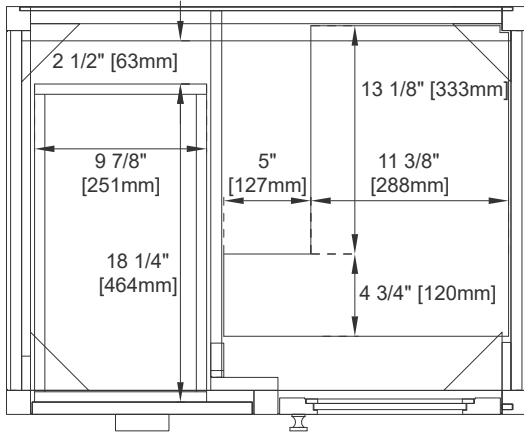
Height: 34-1/2"

Rough-In Height: 21-1/2"

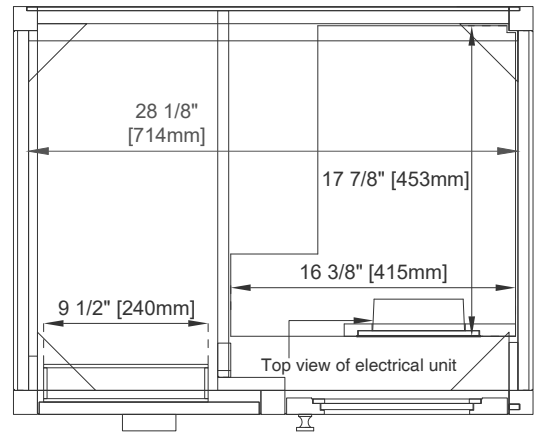
30" ADDISON VANITY

E444-V30-MCA

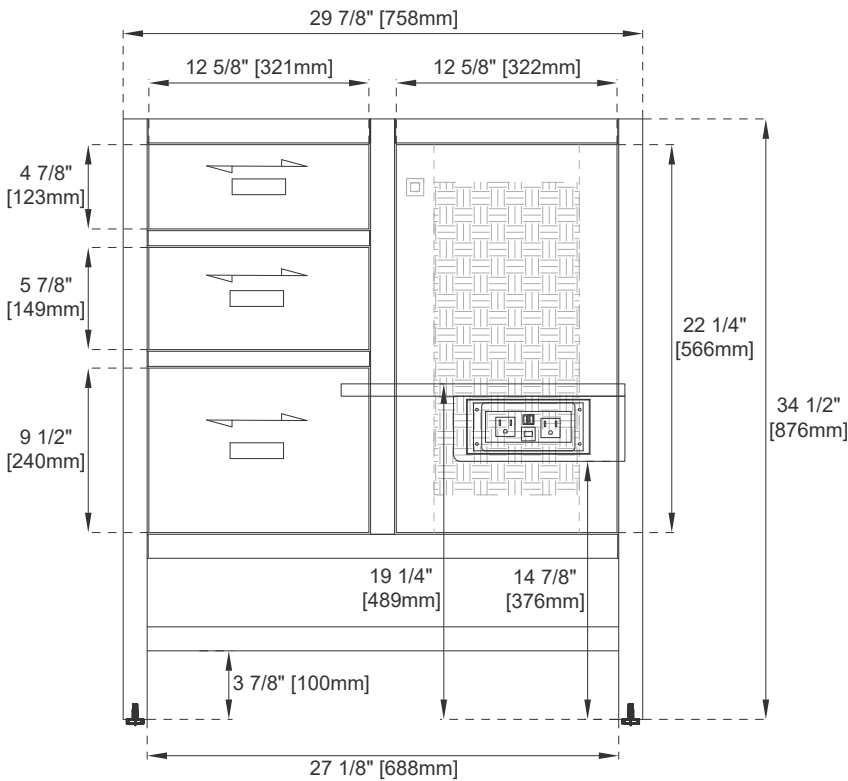
JAMES MARTIN VANITIES



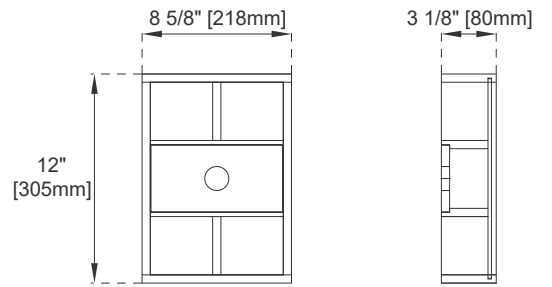
Top View 1



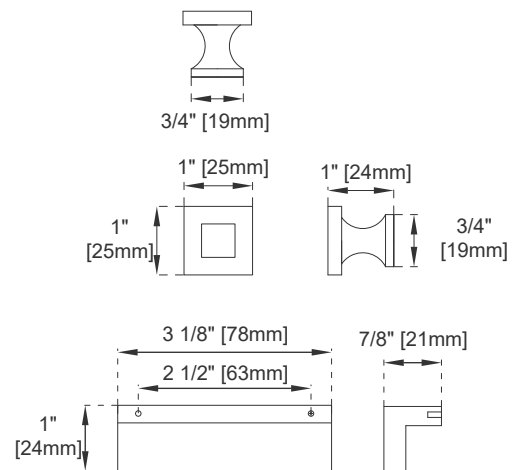
Top View 2



Front View



Bamboo Drawer Organizer



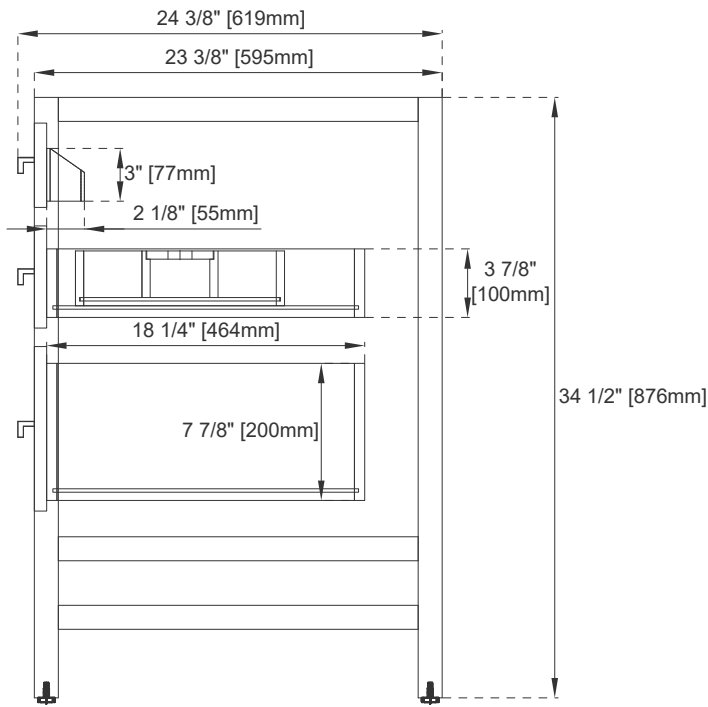
Knob

All dimensions are nominal
Diagrams are of cabinet only—James Martin Optional Countertops and sinks are not shown

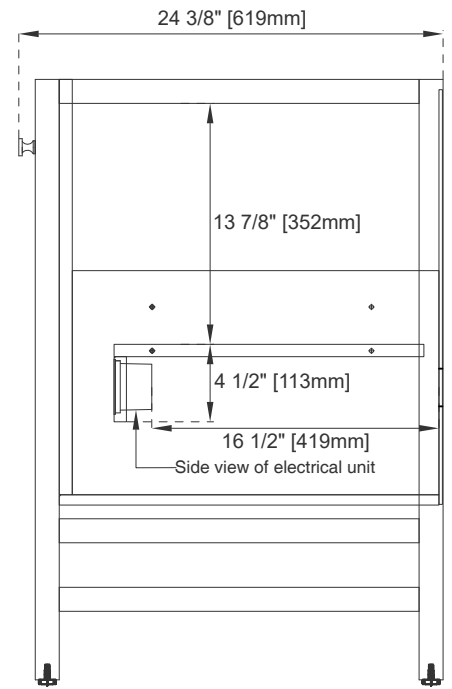
Visit website for warranty and installation information
www.jamesmartinvanities.com

30" ADDISON VANITY

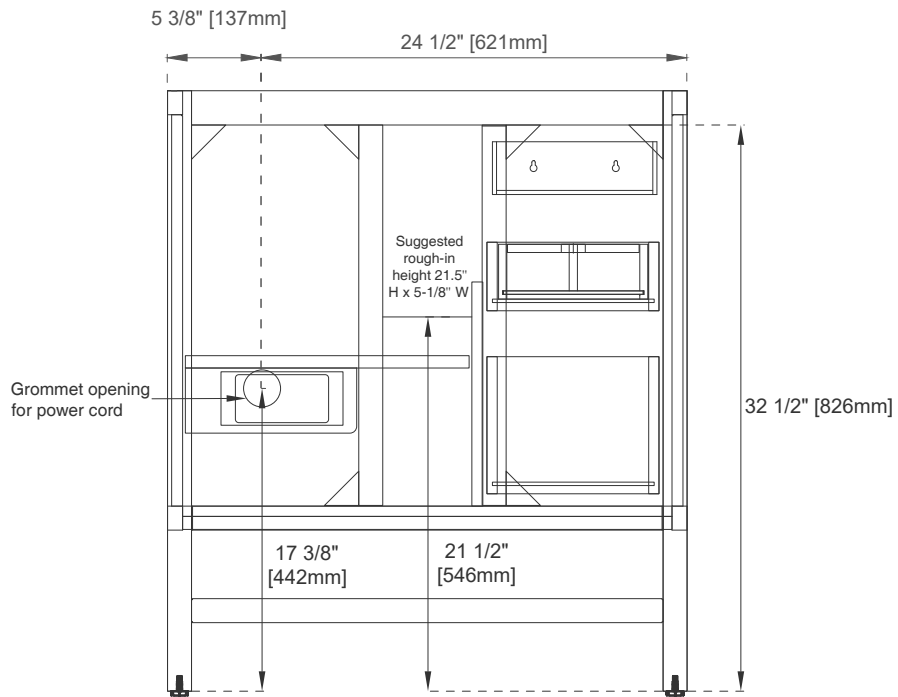
E444-V30-MCA



Side View 1



Side View 2



Back View

All dimensions are nominal
Diagrams are of cabinet only—James Martin Optional Countertops and sinks are not shown

Visit website for warranty and installation information
www.jamesmartinvanities.com