



---

**Extended Warranty  
Sign Up**

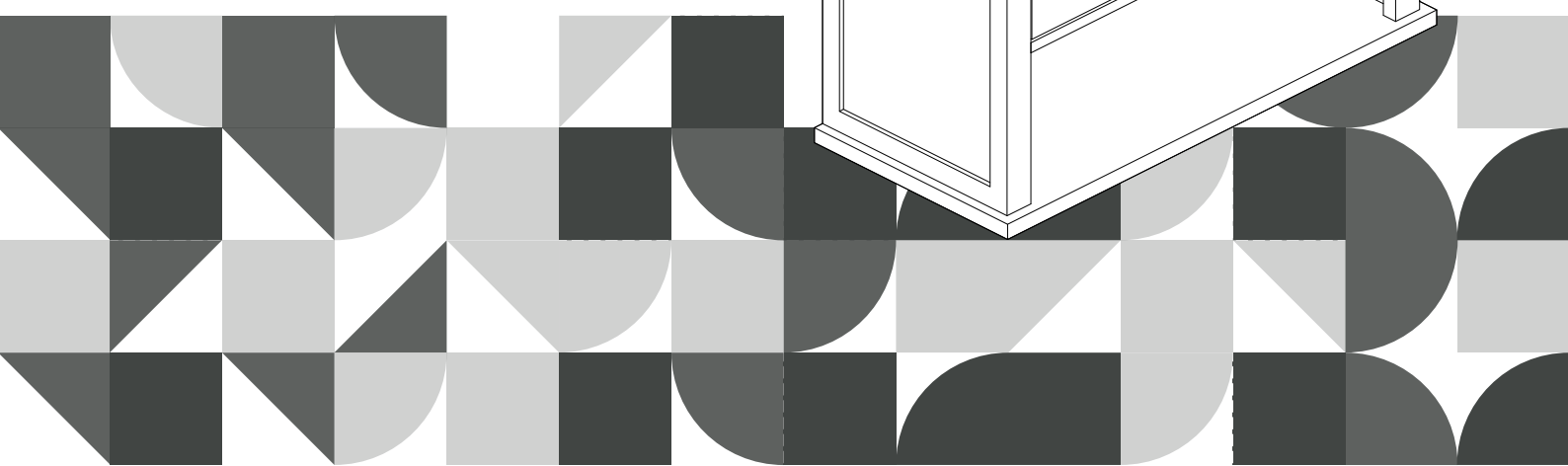
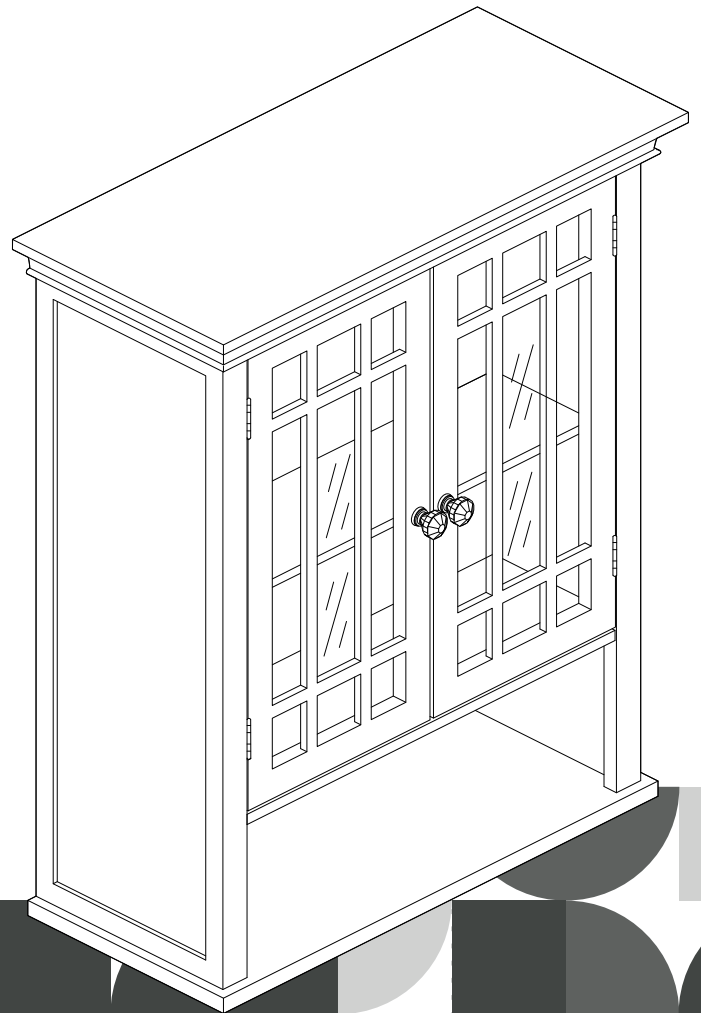
---

**E-1**

# Welcome home!

**7473/ELG-557**

**TEAMSON HOME  
Wall Cabinet 2 Doors**





**Questions? Comments? Need help?  
Call or email us any time!**

## Global Customer Service

**USA**

**+1(800)935-3959**

Mon - Fri 10:00am ~ 2:00pm EST  
✉ support@teamson.com

**EU/UK**

**+44(0)1952-916-050**

Mon - Thu 9:00am ~ 5:00pm GMT  
Friday 9:00am ~ 4:00pm GMT  
✉ support@teamson.co.uk

**ASIA**

深圳办公室:

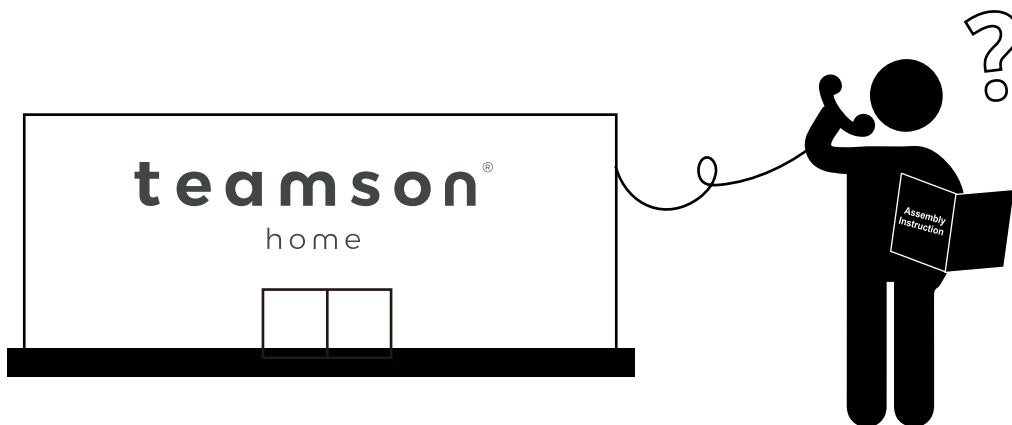
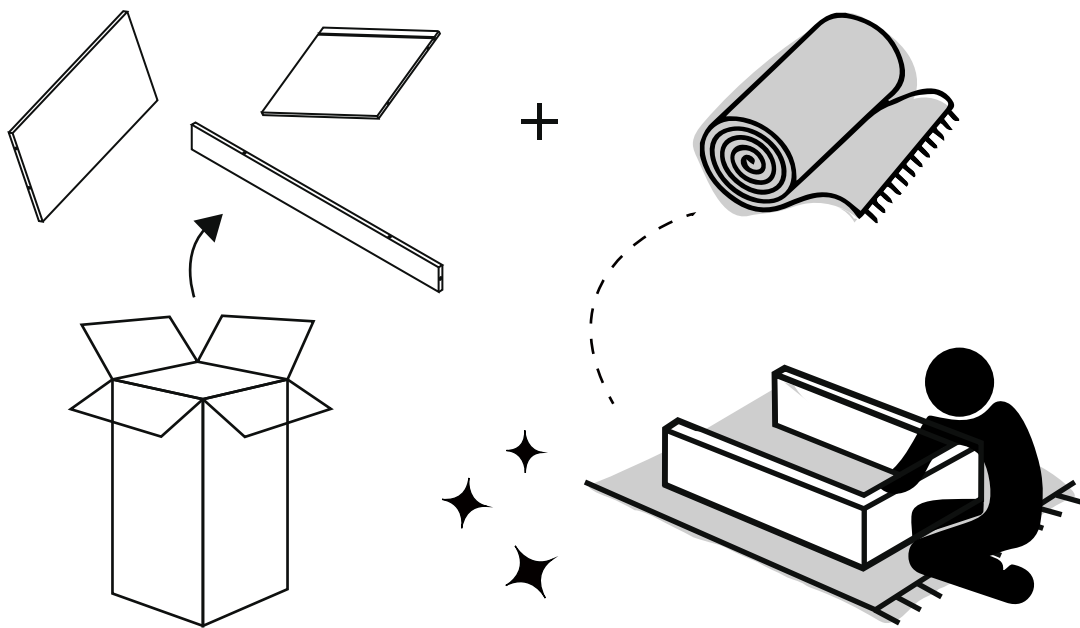
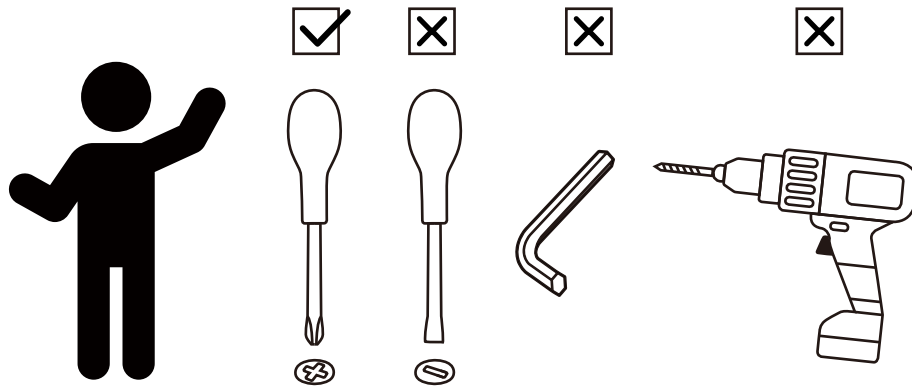
**+86(0755)8885-3558.分机号331**

Mon - Sat 9:00am ~ 5:00pm GMT+8  
✉ sales\_ec@teamson.com

台北办公室:

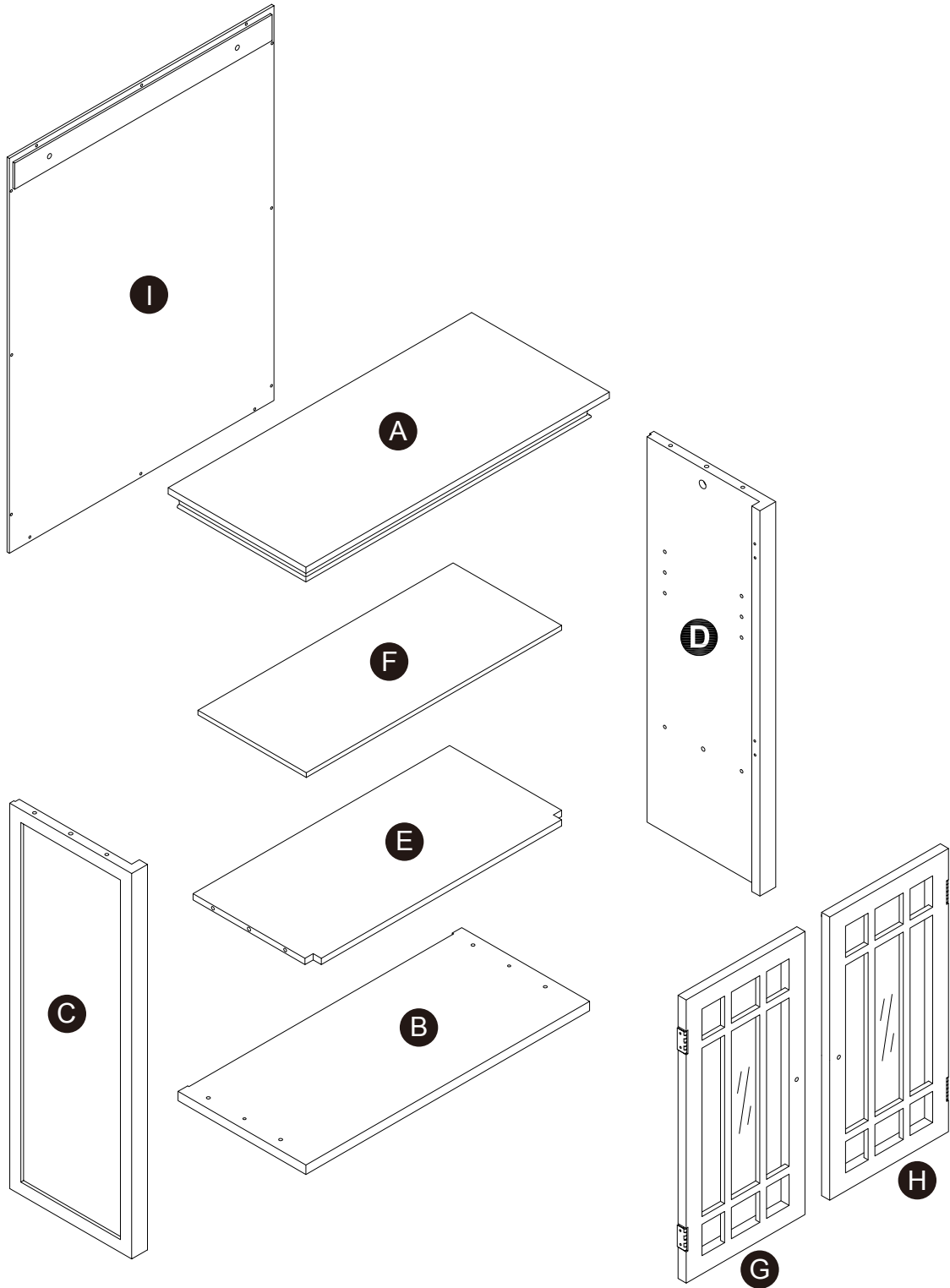
**+886(2)2556-6268**

Mon - Fri 9:00am ~ 5:00pm GMT+8  
✉ sales\_ec@teamson.com



\*\* Got questions? Please have your product code (on the first page of this instruction, e.g. TD-12345A) and the order number ready, give us a call or email us through our customer care support! We are always ready to assist you!

# Exploded Drawing



Scan for assembly instructions.

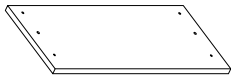
## Product Parts

A



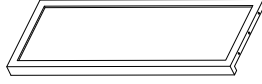
1 PC

B



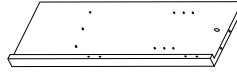
1 PC

C



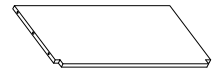
1 PC

D



1 PC

E



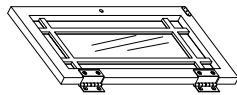
1 PC

F



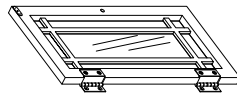
1 PC

G



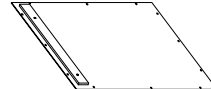
1 PC

H



1 PC

I



1 PC

### **! Care Instructions**

Dust surface with a dry soft cloth. Do not use window cleaners or cleaning abrasives as they will scratch the surface and could damage the protective coating

### **! WARNING**

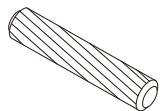
Small parts and sharp edges may be present prior to assembly.



Scan for assembly instructions.

# Hardware

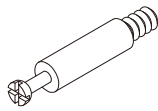
1



Ø6\*30mm

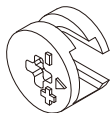
12 PCS

2



4 PCS

3



Ø15\*9

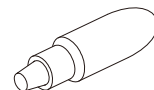
4 PCS

4



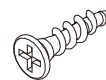
4 PCS

5



1 PC

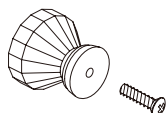
6



Ø3\*15mm

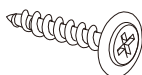
8 PCS

7



2 SET

8



Ø3\*12 D=7

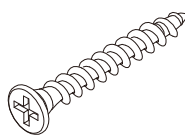
12 PCS

9



4 PCS

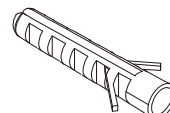
10



Ø4\*50mm

4 PCS

11



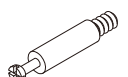
2 PCS




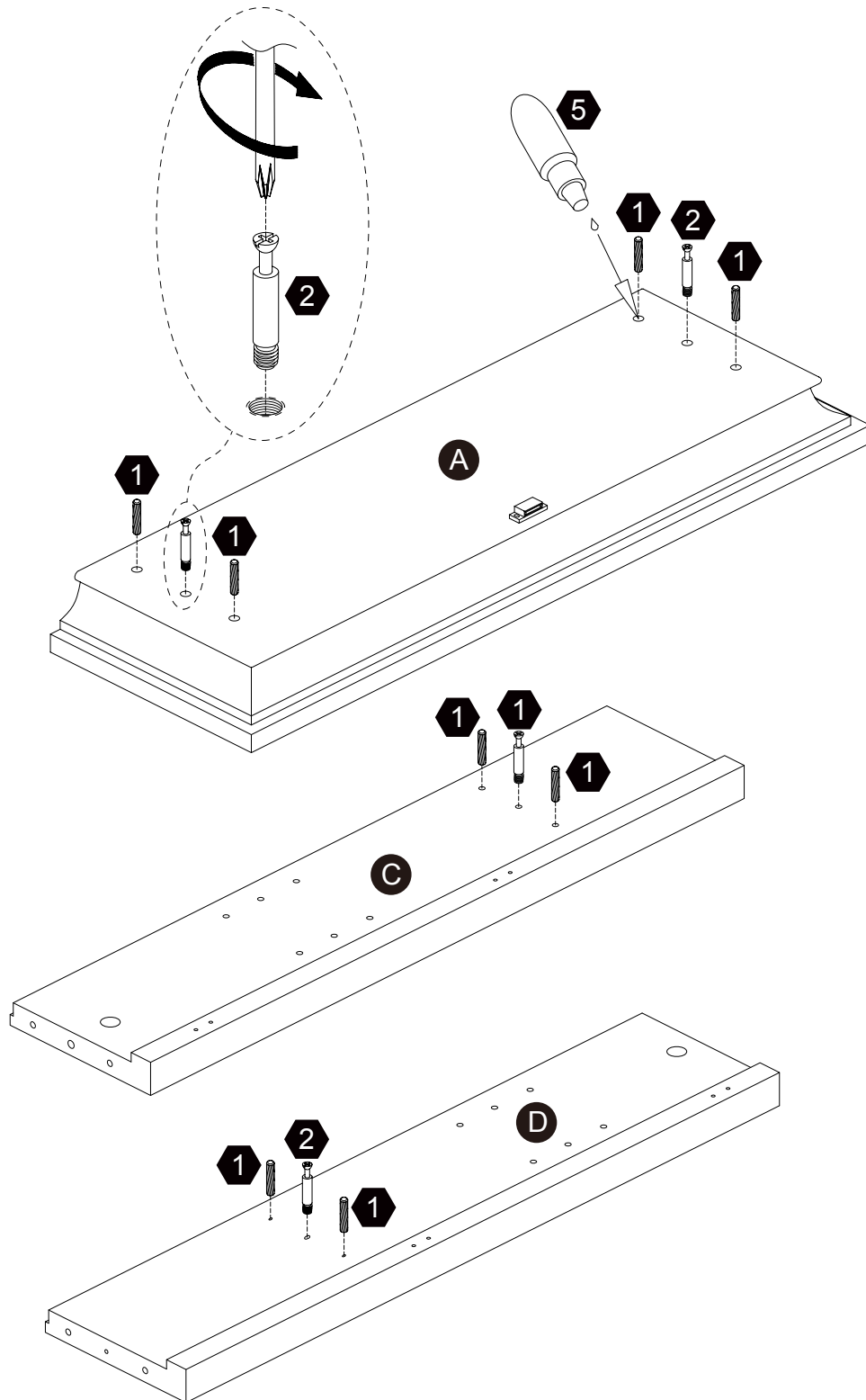
Scan for assembly instructions.

# Step 1

1  8 pcs  
Ø6\*30mm

2  4 pcs

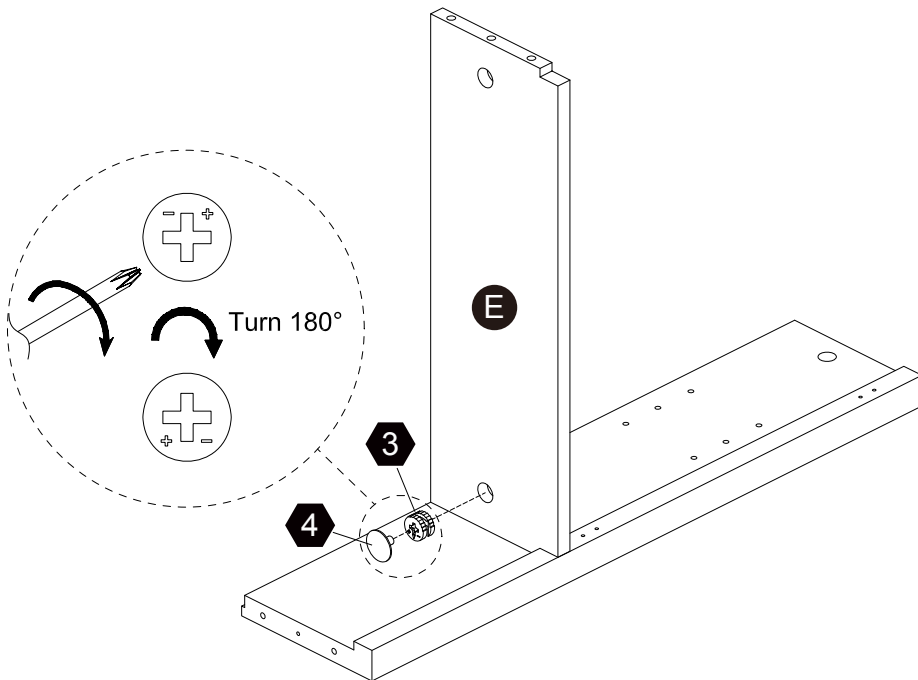
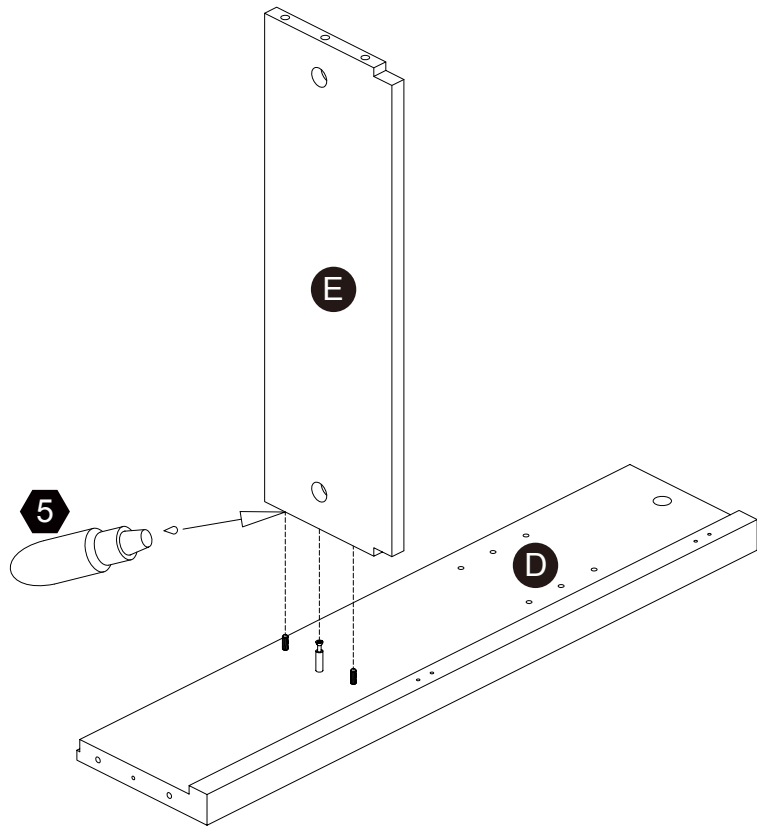
5  1 pc



Scan for assembly instructions.

## Step 2

- 3**  Ø15\*9 1 pc    **4**  1 pc    **5**  1 pc

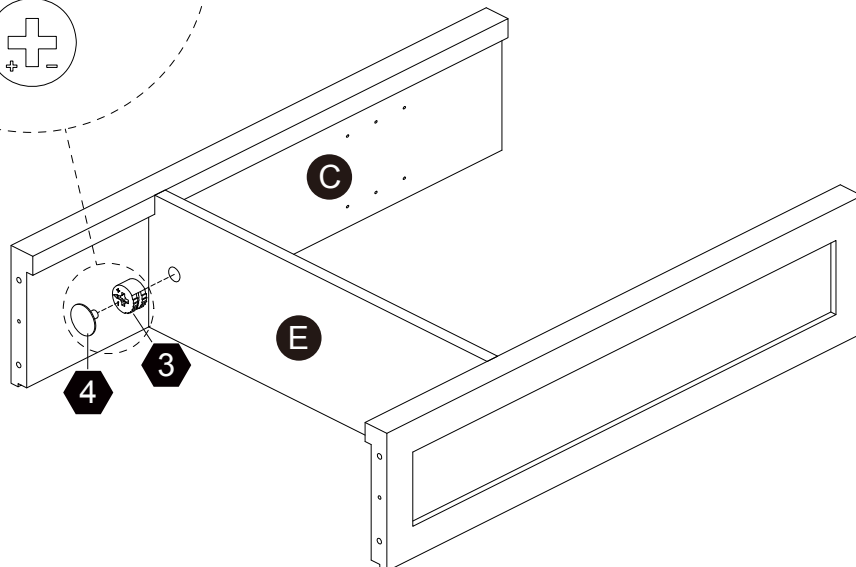
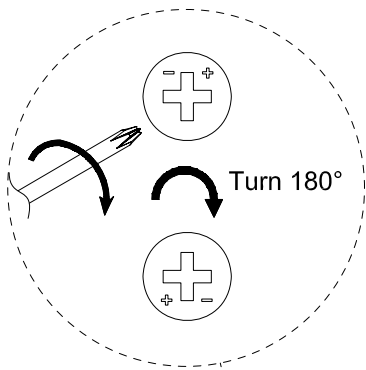
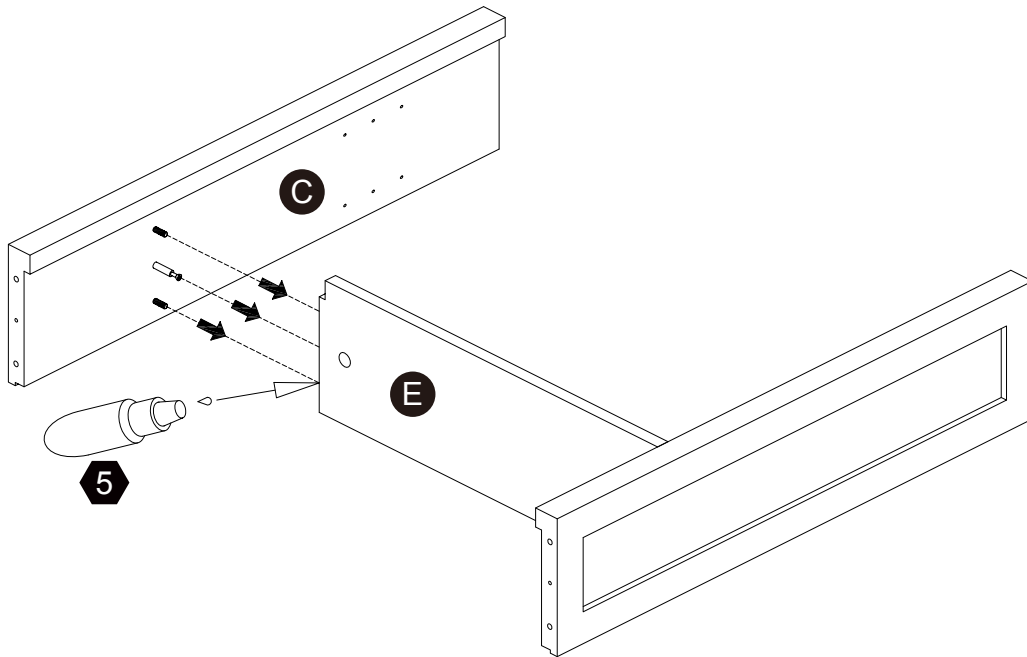


Scan for assembly instructions.



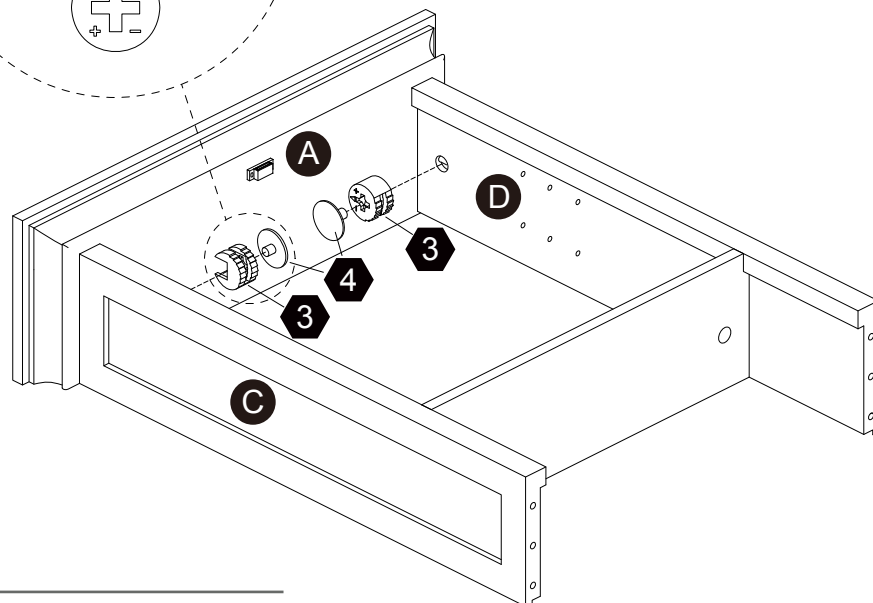
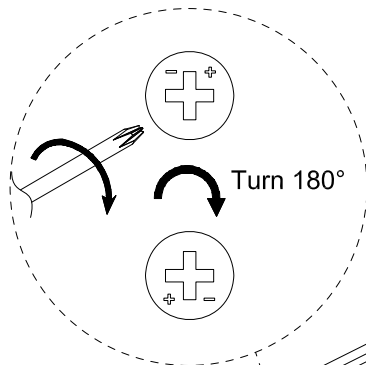
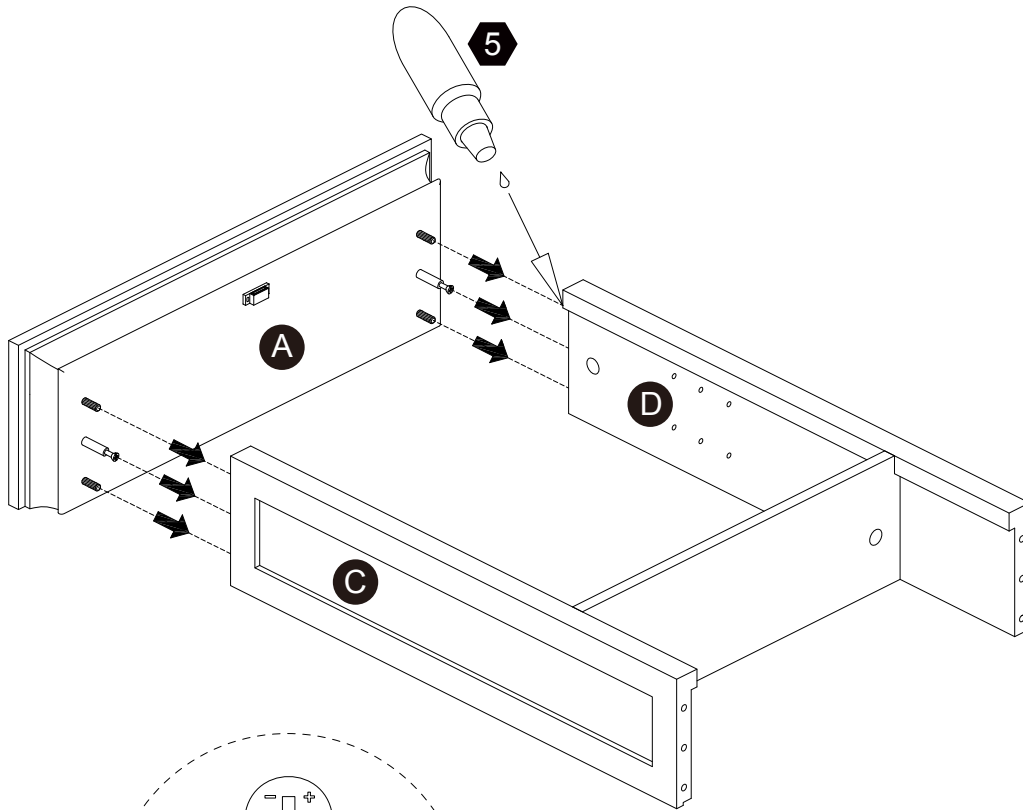
## Step 3

- 3**  Ø15\*9 1 pc    **4**  1 pc    **5**  1 pc



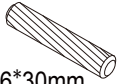
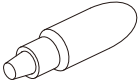

Scan for assembly instructions.

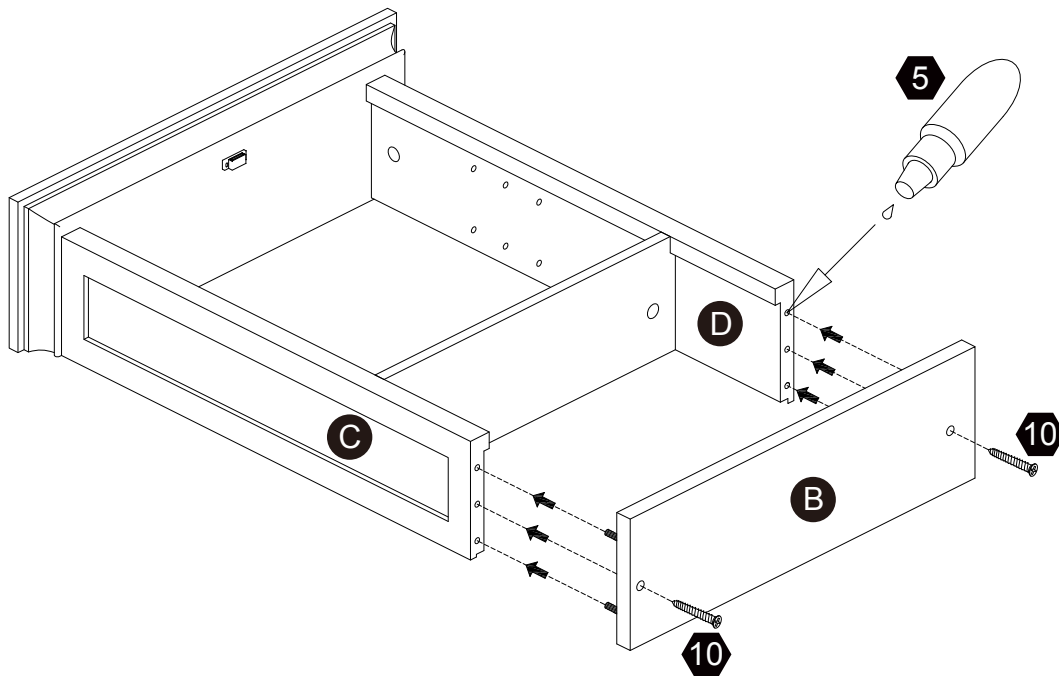
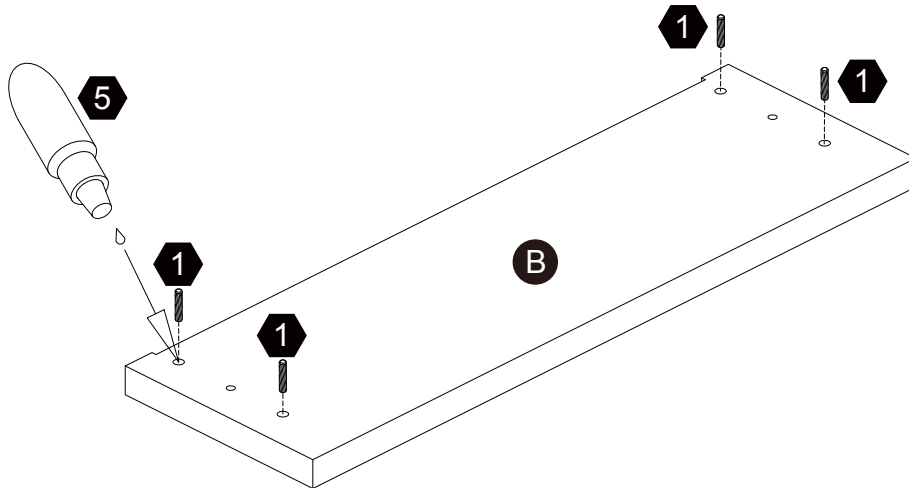
## Step 4



Scan for assembly instructions.

## Step 5

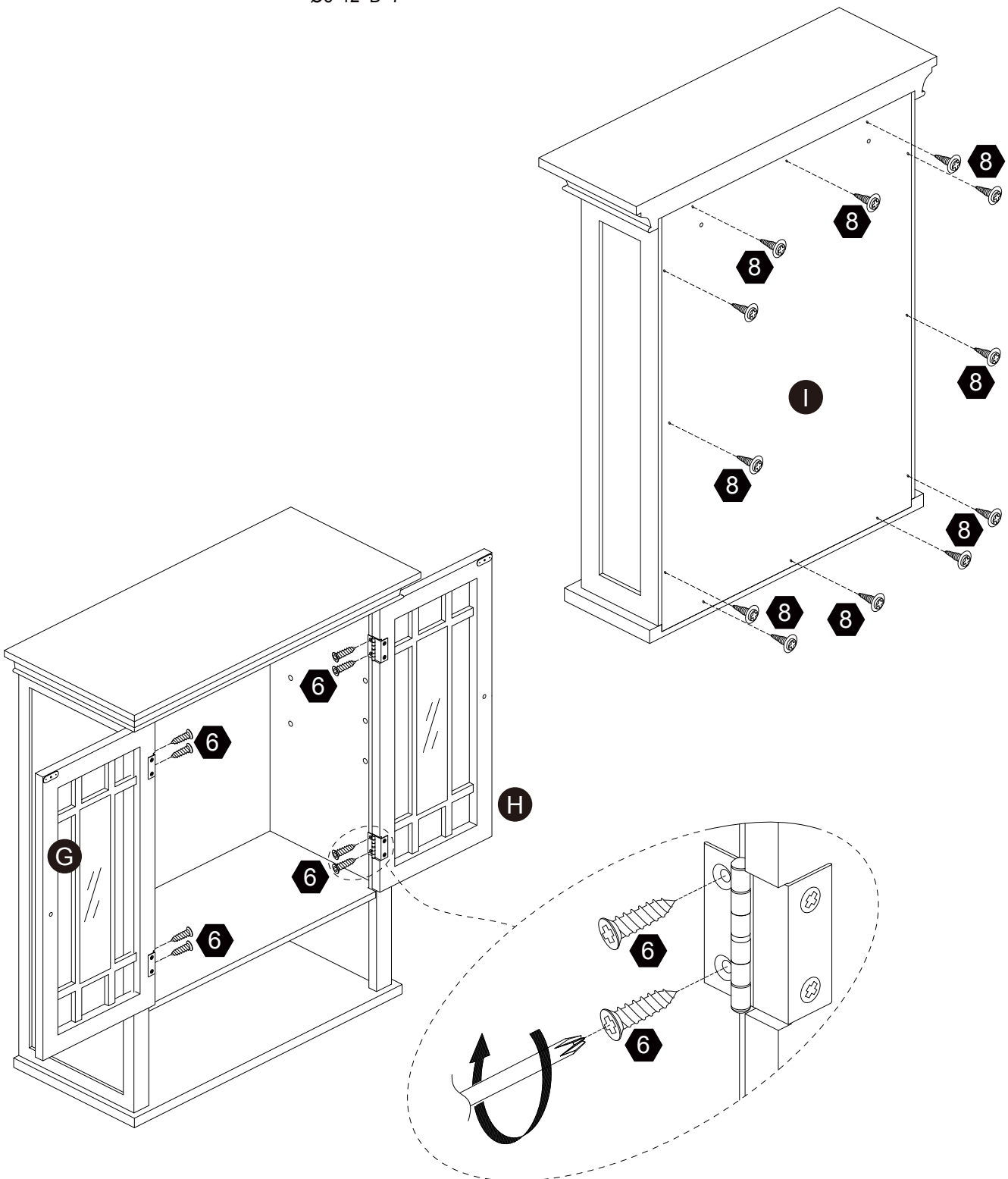
- 1**   $\varnothing 6 * 30\text{mm}$  **4 pcs** **5**  **1 pc** **10**   $\varnothing 4 * 50\text{mm}$  **2 pcs**



Scan for assembly instructions.

## Step 6

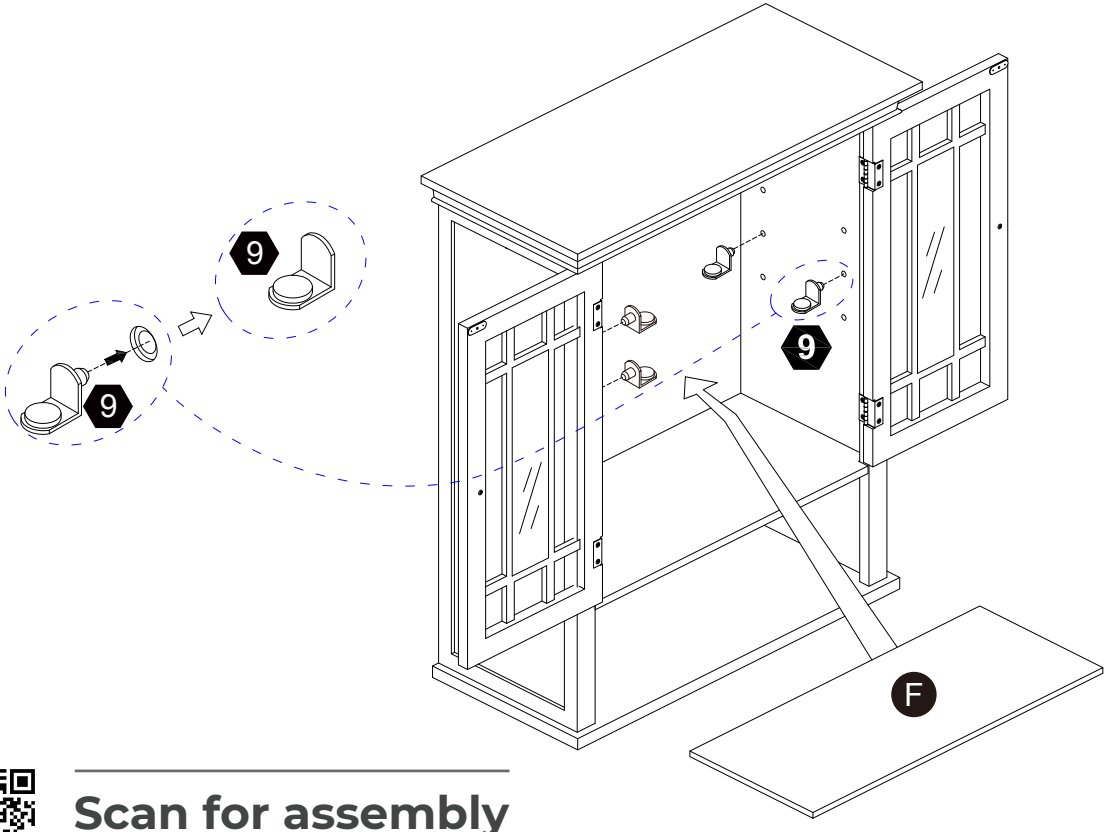
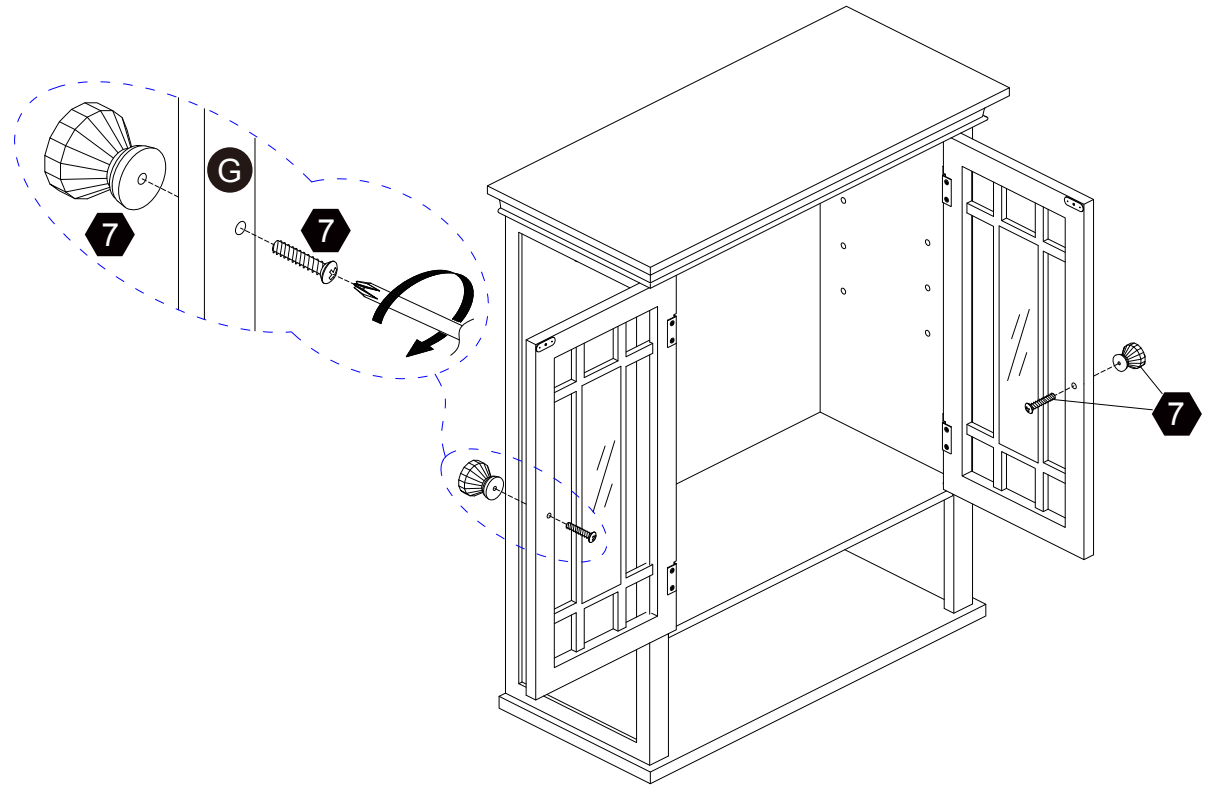
**6**  Ø3\*15mm **8** pcs **8**  Ø3\*12 D=7 **12** pcs



Scan for assembly instructions.

# Step 7

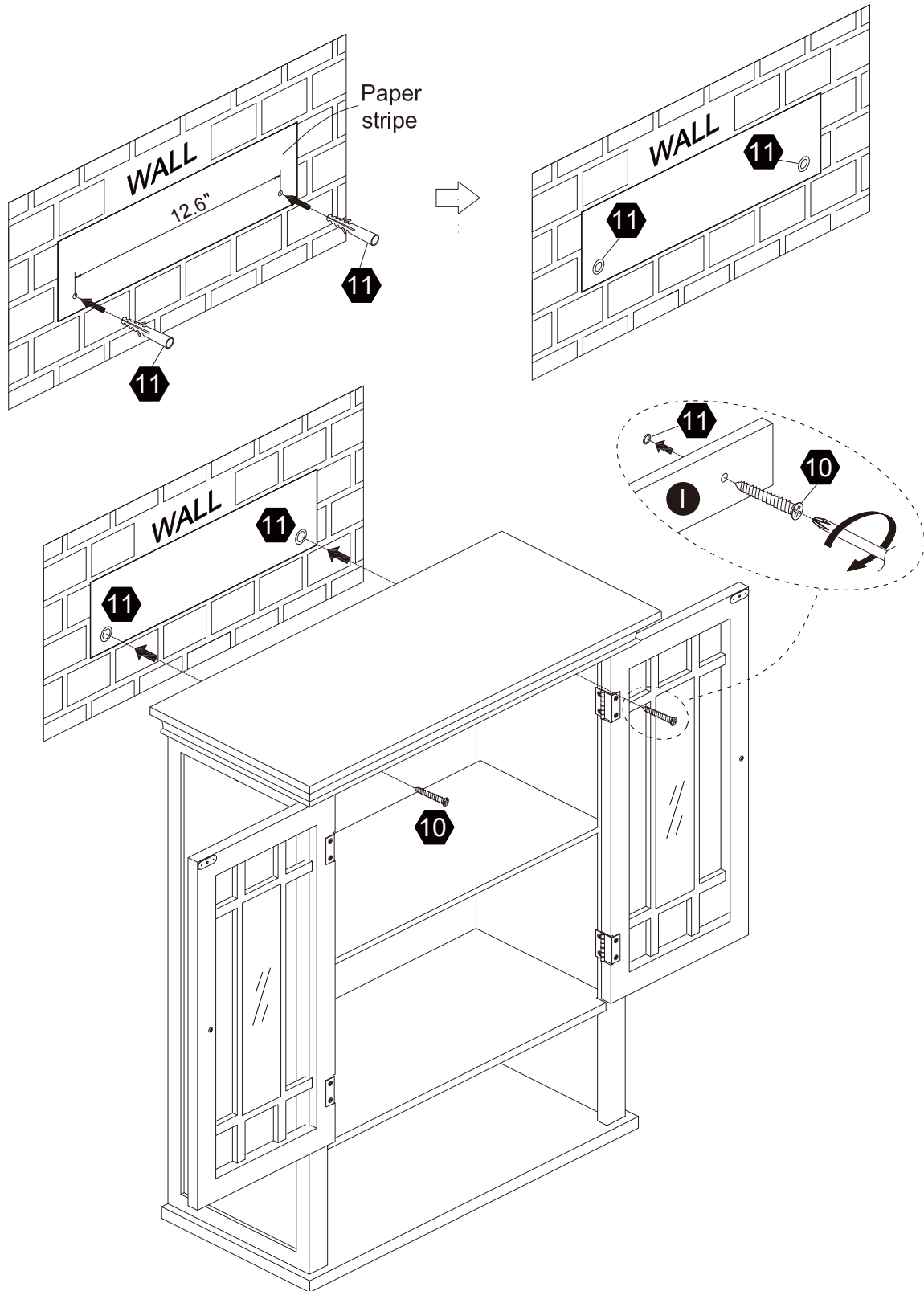
7  2 SET 9  4 pcs



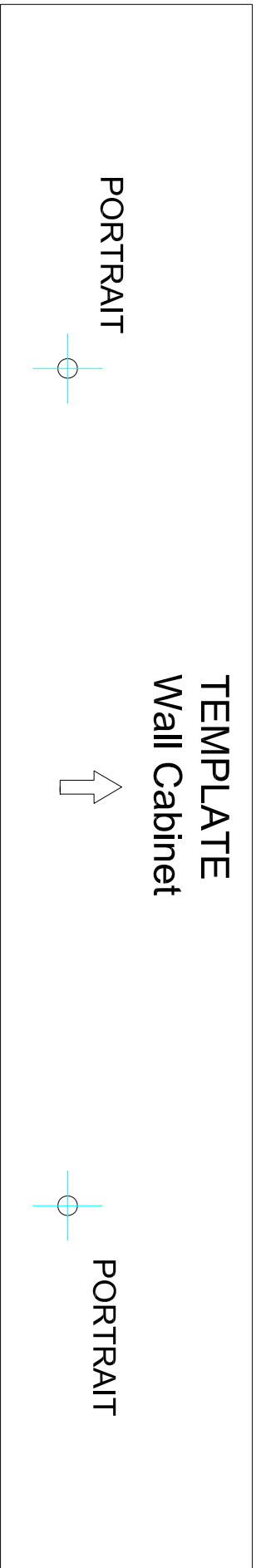
Scan for assembly instructions.

## Step 8

**10**  Ø4\*50mm 2 pcs **11**  2 pcs



Scan for assembly instructions.



PORTRAIT

TEMPLATE  
Wall Cabinet



PORTRAIT

130

299

130

559

66

90