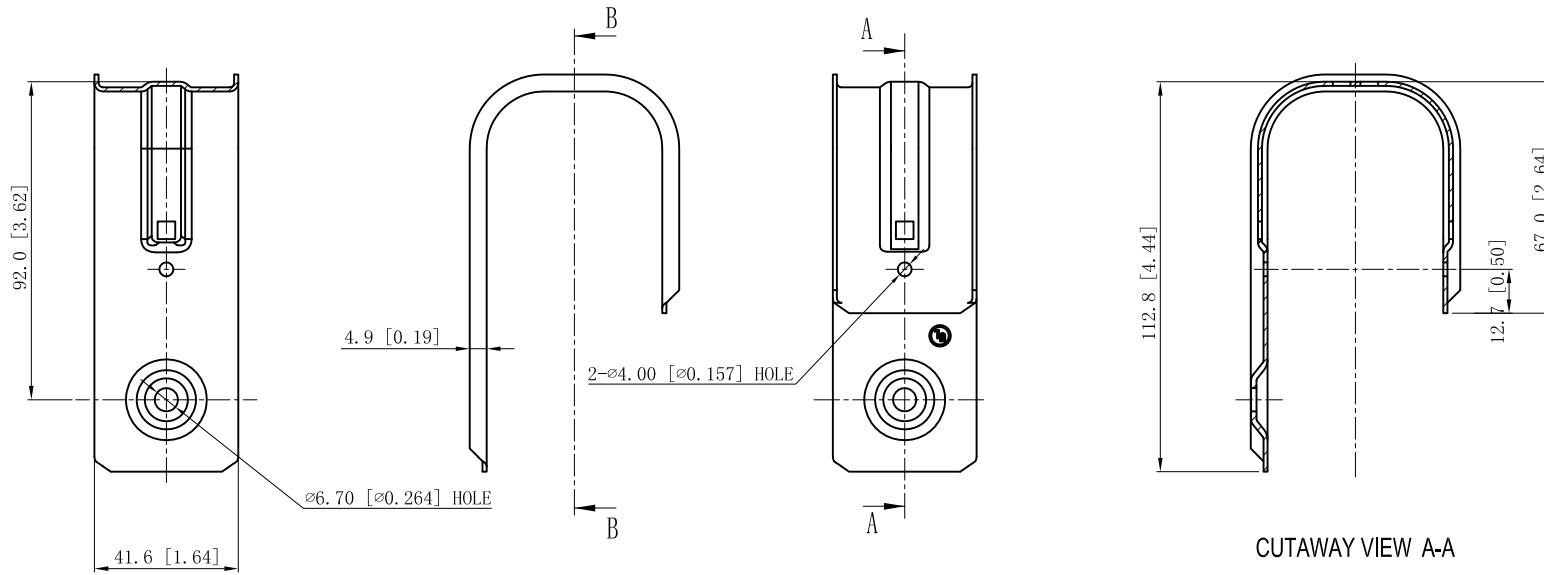
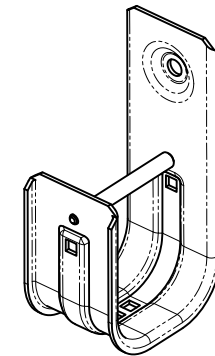


SIDES	BOTTOM
Material: 0.051~0.059"-SS316	



CUTAWAY VIEW B-B

CUTAWAY VIEW A-A



This data sheet is for reference only .GARVIN INDUSTRIES reserves the right to make changes to the design without prior notice.

DESCRIPTION
TRADE REFERENCE TERMS

STANDARD PACKING
50 PCS

GARVIN INDUSTRIES		
TITLE J-HOOKS		
SIZE A4	DWG NO. JHK-32SS	REV A
DATA SHEET		
www.garvinindustries.com		