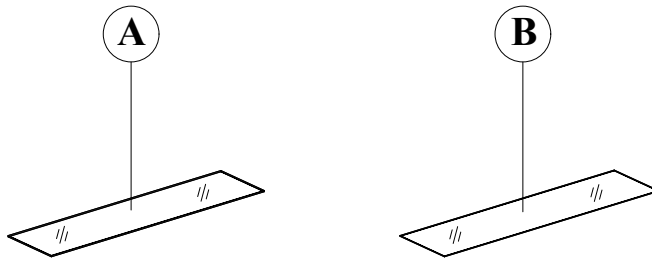


ELLIS CONSOLE TABLE ASSEMBLY INSTRUCTIONS

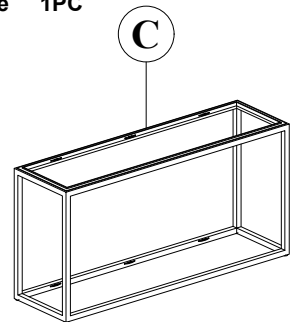


PARTS / PACKAGING CONFIGURATION

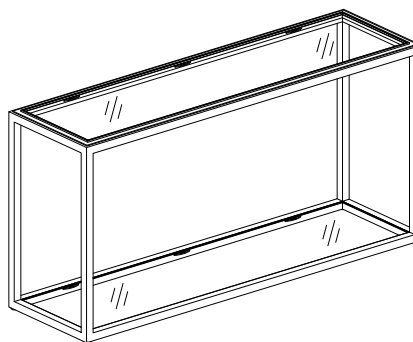
BOX #1
A. Top Glass 1PC
B. Bottom Mirror 1PC



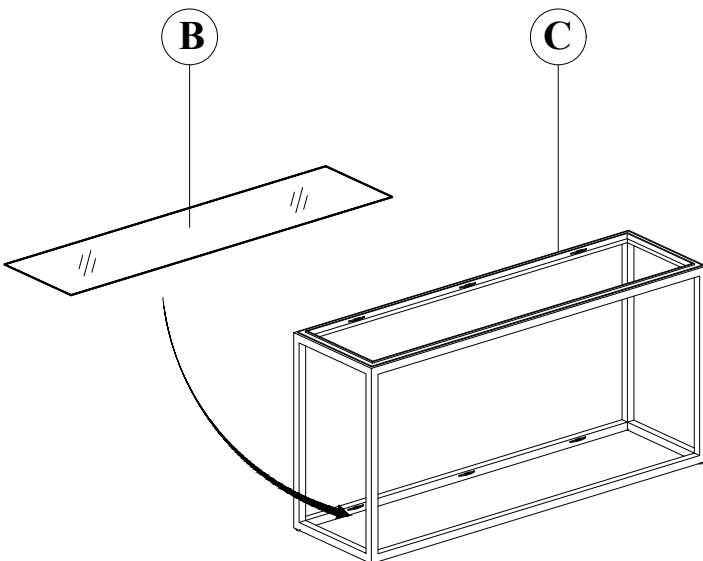
BOX #2
C. Table Base 1PC



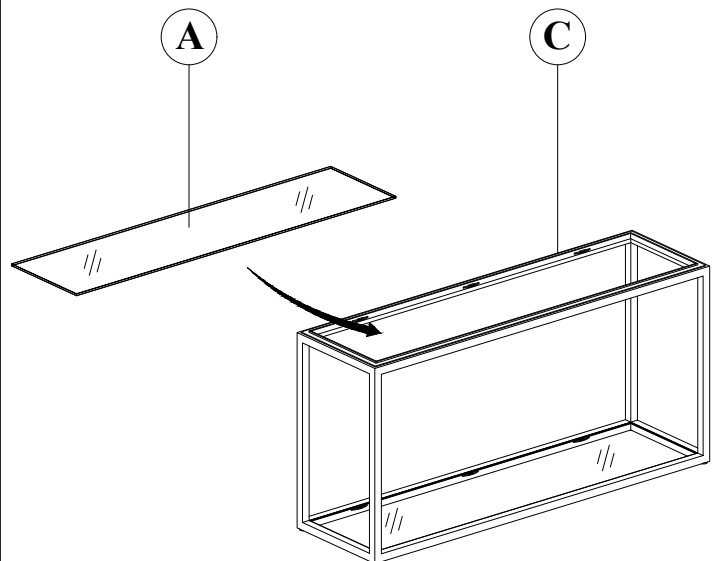
ELLIS CONSOLE TABLE FULLY ASSEMBLED



STEP 1:



STEP 2:



NOTE: INSERT BOTTOM MIRROR THROUGH SIDE