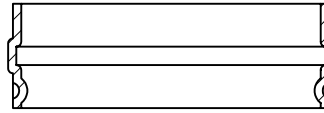
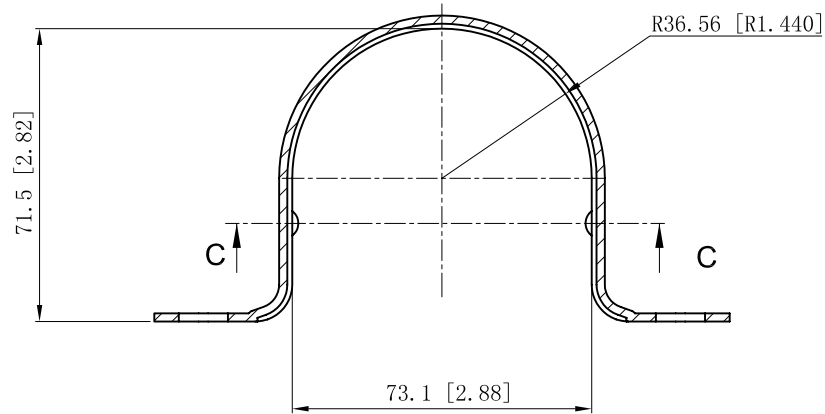


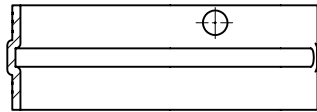
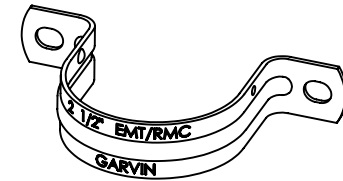
SIDES	BOTTOM
Material: Steel-(0.071-0.079)-C.R.S Zinc Plated	



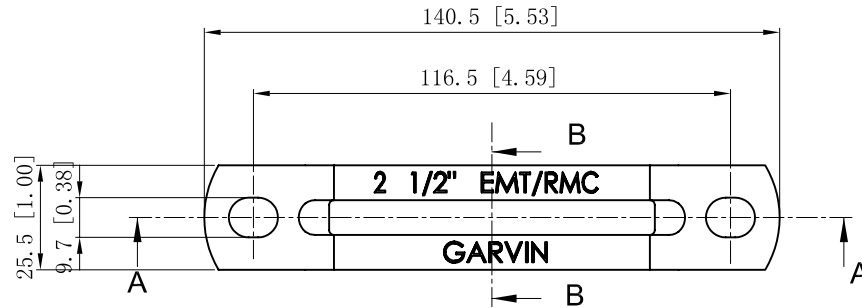
CUTAWAY VIEW C-C



CUTAWAY VIEW A-A



CUTAWAY VIEW B-B



This data sheet is for reference only .GARVIN INDUSTRIES reserves the right to make changes to the design without prior notice.

DESCRIPTION
TRADE REFERENCE TERMS

STANDARD PACKING
25 PCS

<b>GARVIN INDUSTRIES</b>	
TWO-HOLE STRAPS	
SIZE A4	DWG NO. THS-250
DATA SHEET	