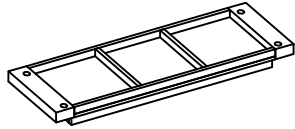


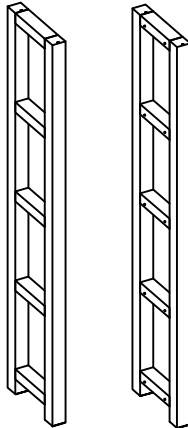
AUTUMN OPEN BOOKCASE ASSEMBLY INSTRUCTIONS



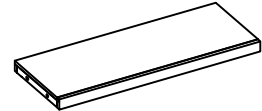
A. TOP : 1 PC



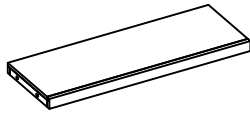
B. SIDE LEG FRAME : 2 PCS



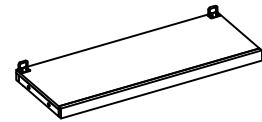
C. SHELF 1 : 2 PCS



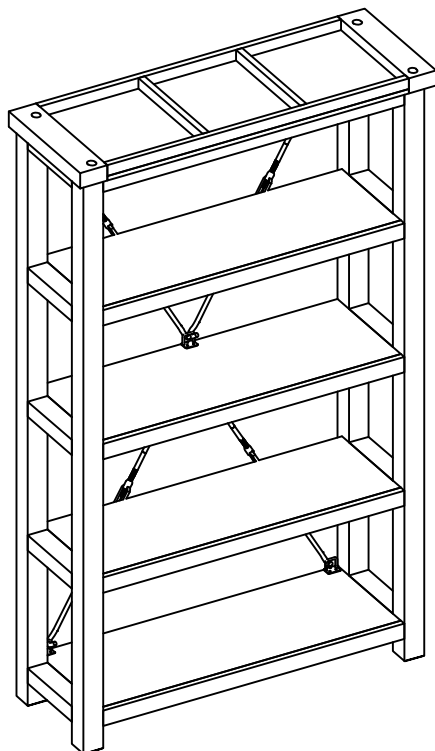
D. SHELF 2 : 1 PC







E. BASE : 1 PC

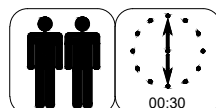


F. TURNBUCKLE : 4 PCS



HARDWARE LIST:

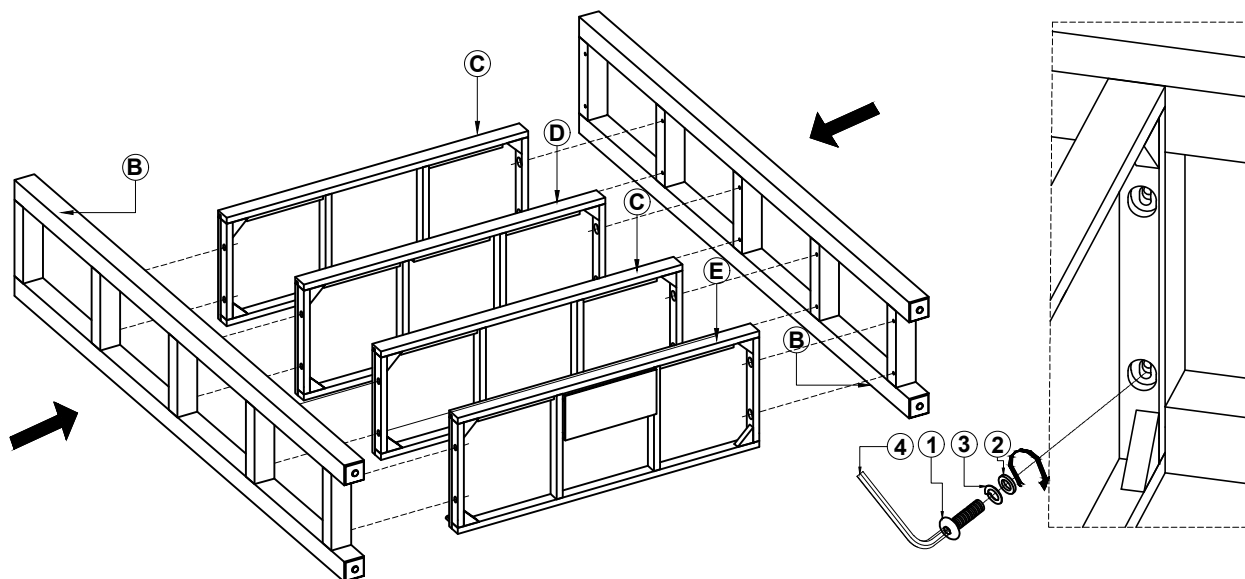
No.	Description	Photo	Quantity
1	ALLEN BOLT (6x30mm)		24 PCS
2	FLAT WASHER (M6)		24 PCS
3	LOCK WASHER (M6)		24 PCS
4	ALLEN KEY		1 PC



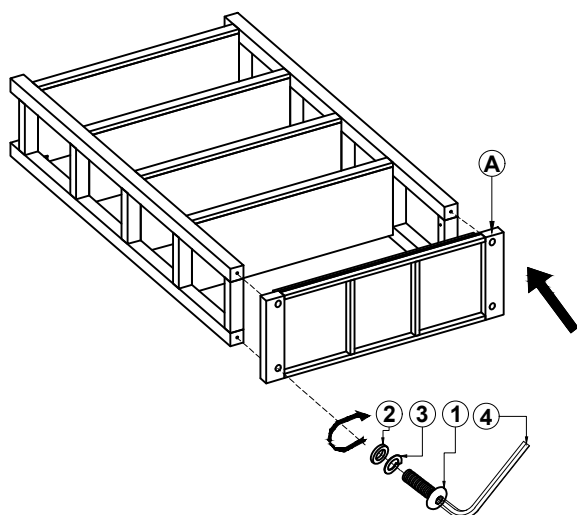
AUTUMN OPEN BOOKCASE ASSEMBLY INSTRUCTIONS



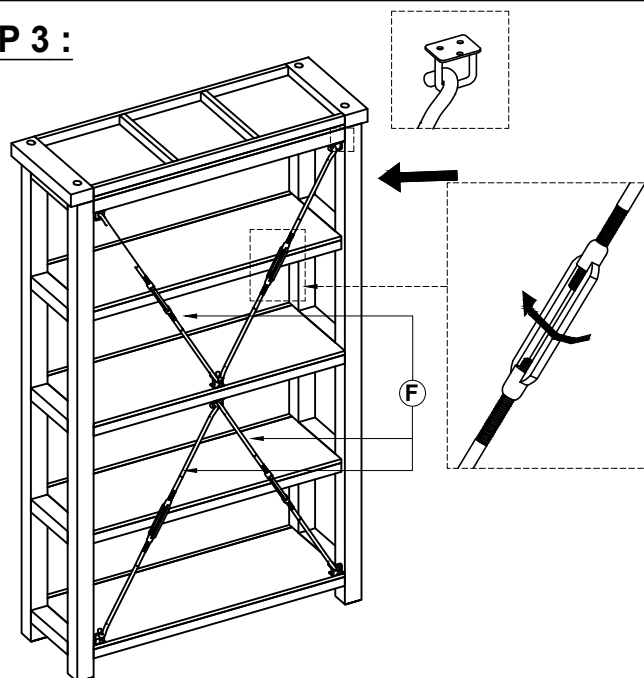
STEP 1 :



STEP 2 :



STEP 3 :



ASSEMBLY COMPLETE

