

For Non-Health Hazard Applications

Job Name _____

Contractor _____

Job Location _____

Approval _____

Engineer _____

Contractor's P.O. No. _____

Approval _____

Representative _____

LEAD FREE*

Series LF850 Double Check Valve Assemblies

Size: 1/2" - 2" (15mm - 50mm)**

The FEBCO Series LF850 Double Check Valve Assemblies are designed for non-health hazard applications. The LF850S features Lead Free* construction to comply with Lead Free* installation requirements. End Connections – NPT ANSI / ASME B1.20.1. The Lead Free* Double Check Valve Assemblies shall comply with state codes and standards, where applicable, requiring reduced lead content.

Pressure – Temperature

Max. Working Pressure: 175psi (12.1 bar)
 Hydrostatic Test Pressure: 350psi (24.1 bar)
 Temperature Range: 32°F to 140°F (0°C to 60°C)

Materials

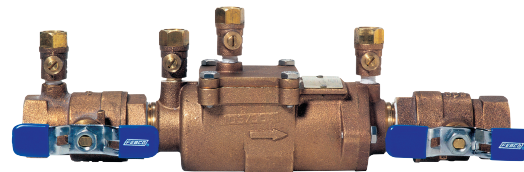
Valve Body: Lead Free* cast copper silicon alloy
 Elastomers: Silicone
 Springs: Stainless Steel

Models

- LF850 - Standard Assembly with Ball Valves
- LF850U - Standard Assembly with Union Ball Valves

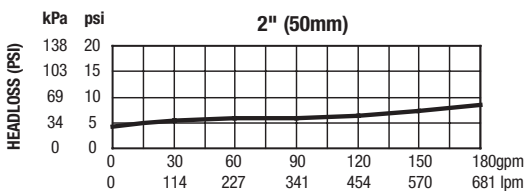
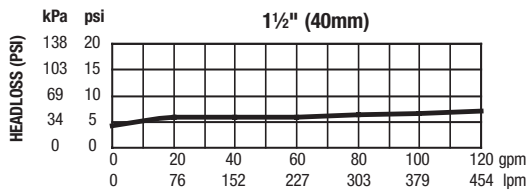
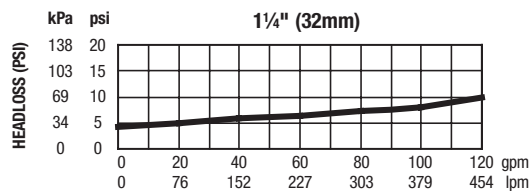
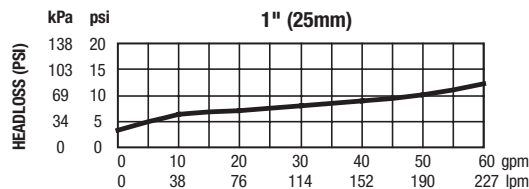
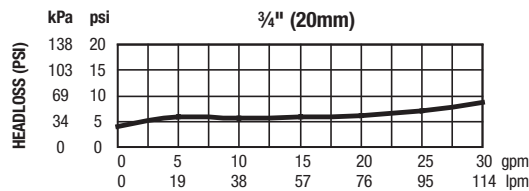
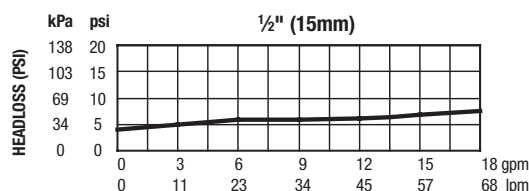
Approvals – Standards

- ANSI/AWWA Conformance (C510-92)
- Approved by the Foundation for Cross-Connection Control and Hydraulic Research at the University of Southern California.

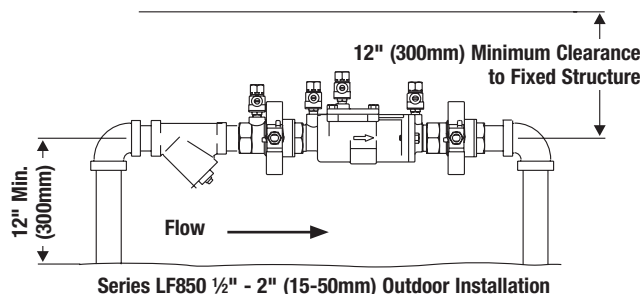


Series LF850

Capacity



Typical Installation

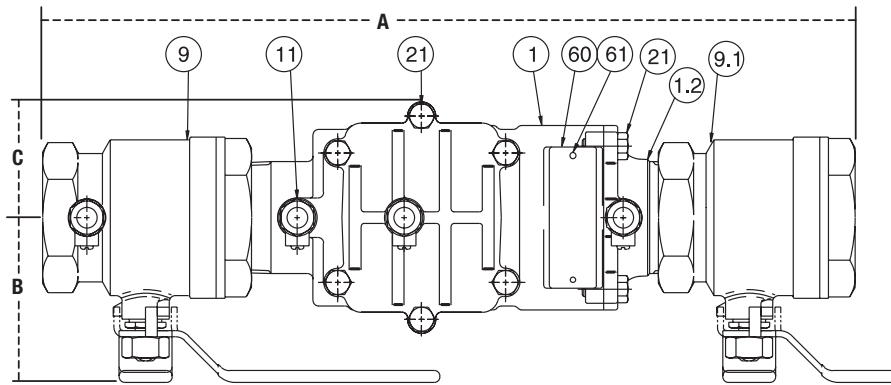
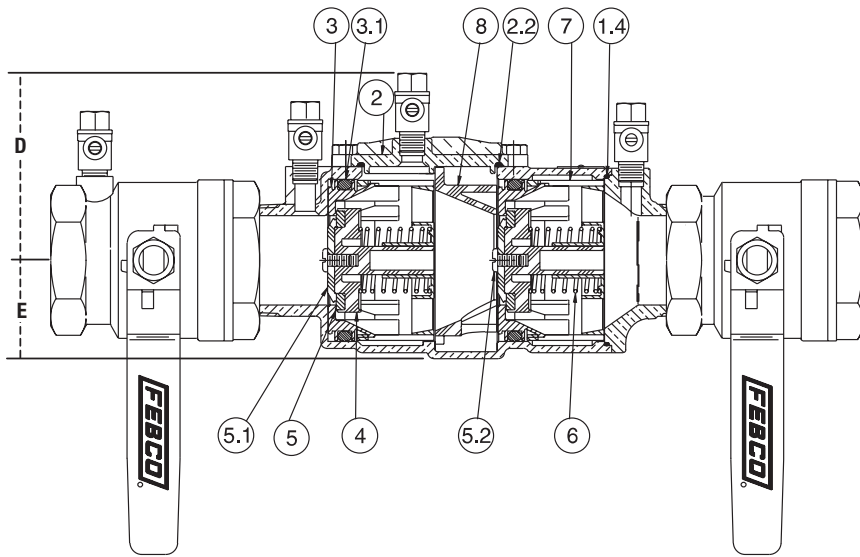


FEBCO product specifications in U.S. customary units and metric are approximate and are provided for reference only. For precise measurements, please contact FEBCO Technical Service. FEBCO reserves the right to change or modify product design, construction, specifications, or materials without prior notice and without incurring any obligation to make such changes and modifications on FEBCO products previously or subsequently sold.



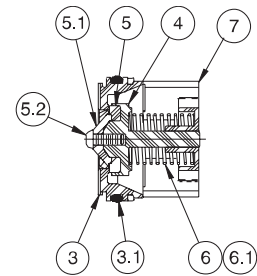
A WATTS Brand

Series LF850 / Size: 1/2" - 2" (15mm - 50mm)



ITEM	DESCRIPTION	MATERIALS
1	Body	Lead Free* cast copper silicon alloy
1.2	Tailpiece	Lead Free* cast copper silicon alloy
1.4	O-Ring	Silicone
2	Cover	Lead Free* cast copper silicon alloy
2.2	O-Ring	Silicone
3	Seat	Noryl®
3.1	O-Ring	Silicone
4	Poppet	Noryl®
5	Seat Disc	Silicone
5.1	Disc Retainer	Noryl®
5.2	Rnd HD Screw	Stainless Steel
6	Spring	Stainless Steel
7	Guide	Noryl®
8	Retainer Spacer	Noryl®
9	Ball Valve (w/tap)	Lead Free* cast copper silicon alloy
9.1	Ball Valve	Lead Free* cast copper silicon alloy
11	Test Cock	Lead Free* cast copper silicon alloy
21	Hex HD Capscrew	Stainless Steel
60	Identification Plate	Brass
61	Drive Screw Stick	Stainless Steel

Check Assembly



Dimensions and Weights

Size: 1/2" - 2" (15 - 50mm)

SIZE (DN)		DIMENSIONS					WEIGHT						
		A		B		C		D		E		lbs.	kgs.
in.	mm	in.	mm	in.	mm	in.	mm	in.	mm	in.	mm		
1/2	15	10	254	1 1/2	38	1 1/2	38	3 1/8	79	1 1/4	32	4.2	1.9
3/4	20	10 3/8	273	1 1/2	38	1 1/2	38	3 1/8	79	1 1/4	32	4.4	2.0
1	25	12 1/2	318	1 7/8	48	1 5/8	41	3 3/8	86	1 1/2	38	6.8	3.1
1 1/4	32	15 3/8	403	3	76	2 1/2	64	4 1/4	108	2 1/4	57	15.8	7.2
1 1/2	40	16 3/8	416	3	76	2 1/2	64	4 1/4	108	2 1/4	57	16.2	7.4
2	50	17 3/8	450	3 1/2	89	2 1/2	64	4 1/4	108	2 1/4	57	21.1	9.6

Note: Dimensions are nominal. Allowances must be made for normal manufacturing tolerances.

Noryl® is a registered trademark of SABIC Innovative Plastics™.

* The wetted surface of this product contacted by consumable water contains less than 0.25% of lead by weight.

** Metric Dimensions are nominal pipe diameter. This product is produced with NPT threaded end connections.

NOTICE

The information contained herein is not intended to replace the full product installation and safety information available or the experience of a trained product installer. You are required to thoroughly read all installation instructions and product safety information before beginning the installation of this product.



A WATTS Brand

USA: Tel: (800) 767-1234 • Fax: (800) 788-4491 • FEBCOonline.com
 Canada: Tel: (905) 332-4090 • Fax: (905) 332-7068 • FEBCOonline.ca
 Latin America: (52) 81-1001-8600 • Fax: (52) 81-8000-7091 • FEBCOonline.com