

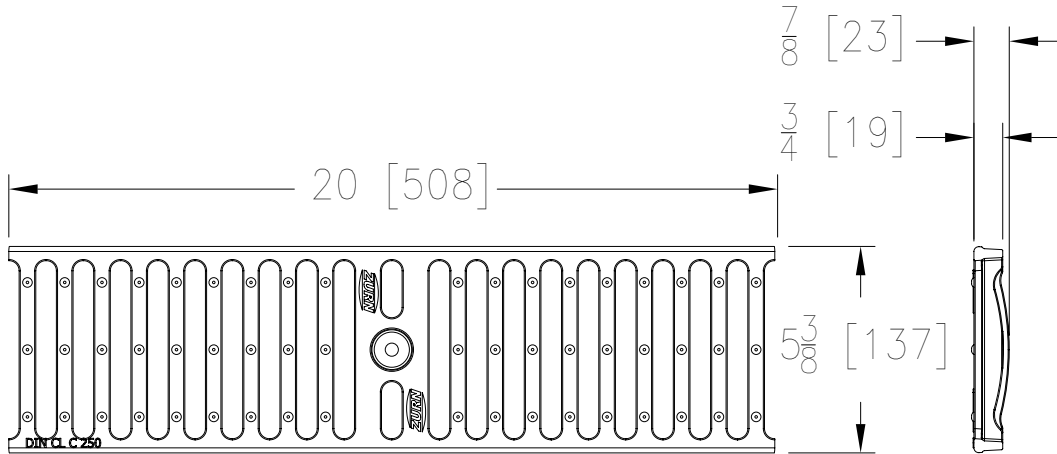


**P6-GDC**  
6 [152] WIDE GRATE

Design and Dimensional Data (inches and [ mm ]) are Subject to Manufacturing Tolerances and Change Without Notice

Please Check ✓	Item No.	Part Number	Item I.D.
	22	94472	P6-GDC

[Back to Index](#)



**GDC GRATE ENGINEERING SPECIFICATION: ZURN P6-GDC**

20" [508mm] X 5-3/8" [137mm] Galvanized ductile Iron slotted grate weighing 4.5 lbs per linear foot [6.6kg/m]. The grate has an open area of 28.2 in<sup>2</sup> per linear foot [594cm<sup>2</sup>/m]. Grate conforms to DIN rating of C, ANSI rating of Heavy-Duty, H-20 load rating, and ASTM A536 Grade 80-55-06. Galvanized (hot dip) conforms to ASTM A123.

GDC - Slotted Grate	
Material:	Galvanized Ductile Iron
DIN Rating:	Class C
Weight:	4.5 lbs/ft. [6.6kg/m]
Open Area:	28.1 in <sup>2</sup> /ft. [594cm <sup>2</sup> /m]
ANSI Rating:	Heavy-Duty
Application:	Vehicle Traffic
Slot Width/Hole Size:	1/2" [12.7mm]
ADA:	No
H-20:	Yes
FAA:	No

**⚠ WARNING:** Cancer and Reproductive Harm - [www.P65Warnings.ca.gov](http://www.P65Warnings.ca.gov)

**⚠ ADVERTENCIA:** Cáncer y daño reproductivo - [www.P65Warnings.ca.gov](http://www.P65Warnings.ca.gov)

**⚠ AVERTISSEMENT:** Cancer et effets néfastes sur la reproduction - [www.P65Warnings.ca.gov](http://www.P65Warnings.ca.gov)