



ASSEMBLY INSTRUCTION

BA9698-310 VALENTINO 5/0 Q LIGHTED HEADBOARD

BA9698-320 VALENTINO 5/0 Q FOOTBOARD & SLATS

BA9698-330 VALENTINO 5/0-6/6 Q/EK SIDE RAILS

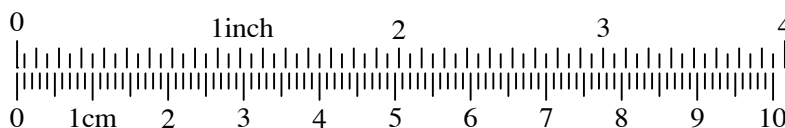
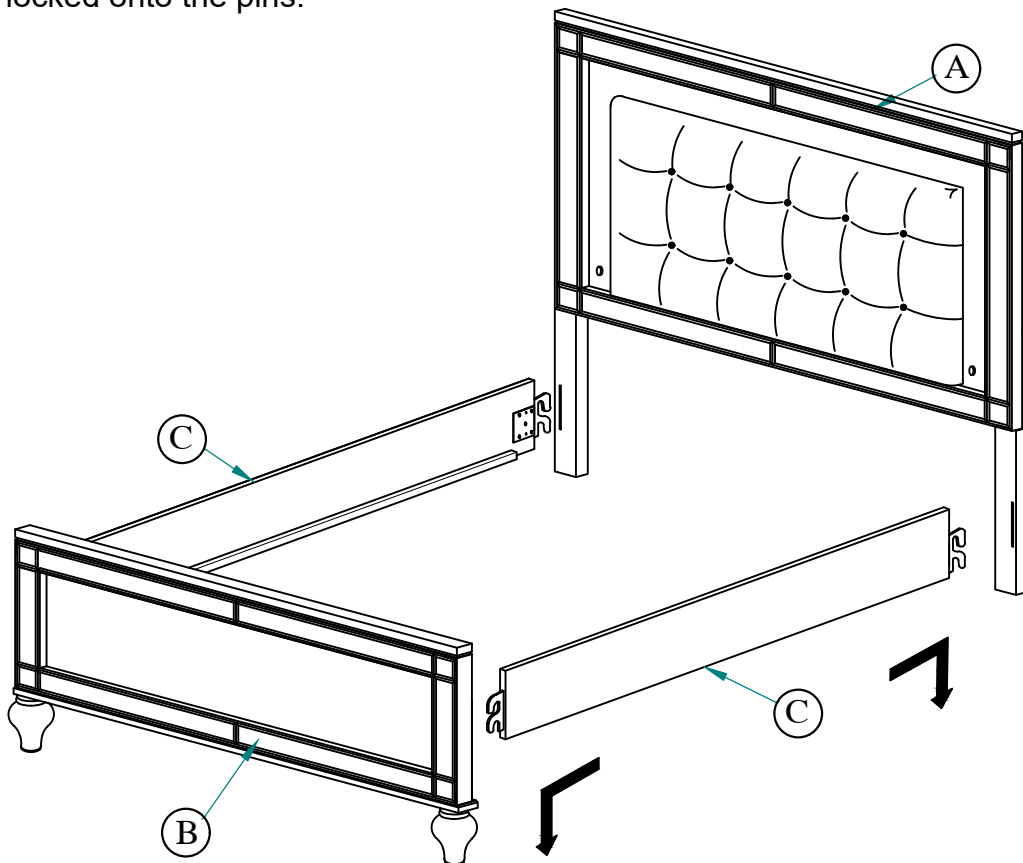
Thank you for purchasing this quality product. Be sure to check all packing materials carefully for small parts which may have come loose inside the carton during shipment. Identify and count all items and compare with the parts list and hardware list shown below.

PARTS LIST			
NO	DESCRIPTION	SKETCH	QTY
A	Headboard		1pc
B	Footboard		1pc
C	Side Rail		2pcs
D	Slat		4pcs
E	Slat Support Leg		4pcs

HARDWARE LIST			
NO	DESCRIPTION	SKETCH	QTY
1	Allen Key - M4		1pc
2	Bolt - M6 x 1-5/8"		4pcs
3	Spring Washer - M6		4pcs
4	Screw - 1-1/4"		8pcs
WEIGHT CAPACITY		800 lbs	

PLACE WOOD PARTS ON A
CLEAN NON-ABRASIVE SURFACE

Step 1: Attach the Side Rail (C) to the Headboard (A) and Footboard (B). Ensure the hooks are securely locked onto the pins.





ASSEMBLY INSTRUCTION

BA9698-310 VALENTINO 5/0 Q LIGHTED HEADBOARD

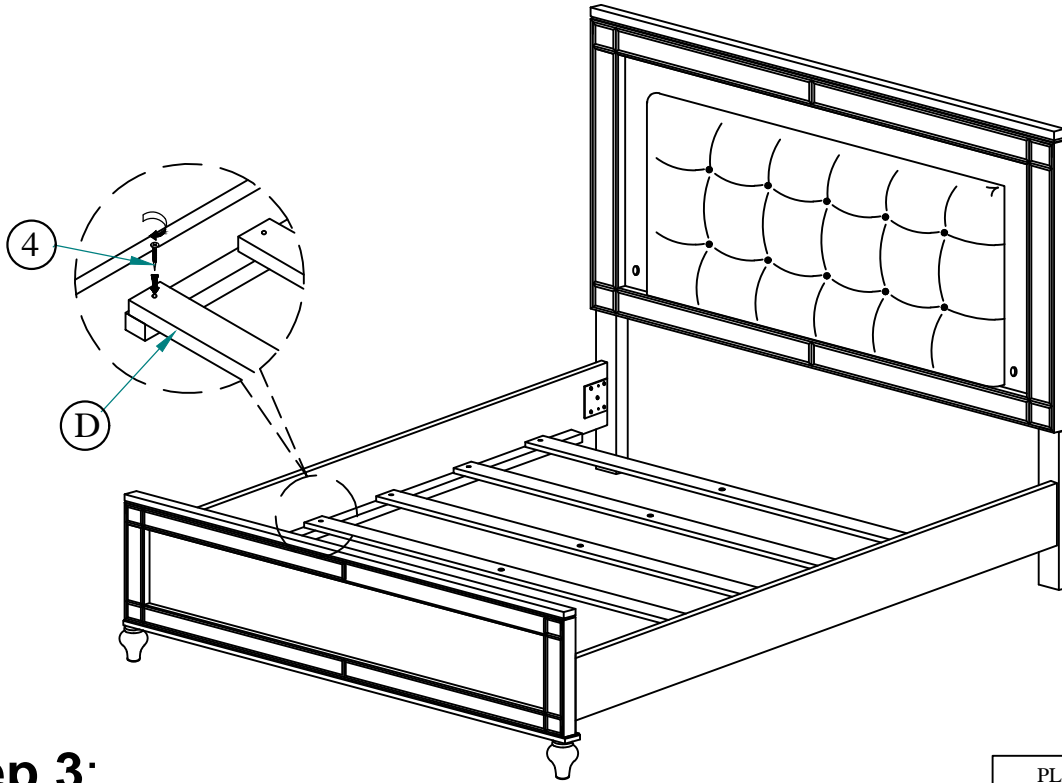
BA9698-320 VALENTINO 5/0 Q FOOTBOARD & SLATS

BA9698-330 VALENTINO 5/0-6/6 Q/EK SIDE RAILS

Step 2:

Assemble the Slat (D) to the Rail (C) by using a screwdriver with hardware Screw (4).

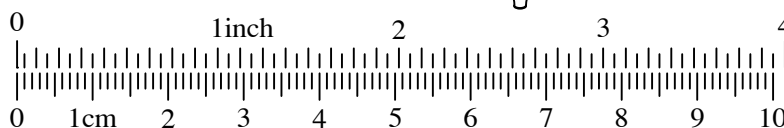
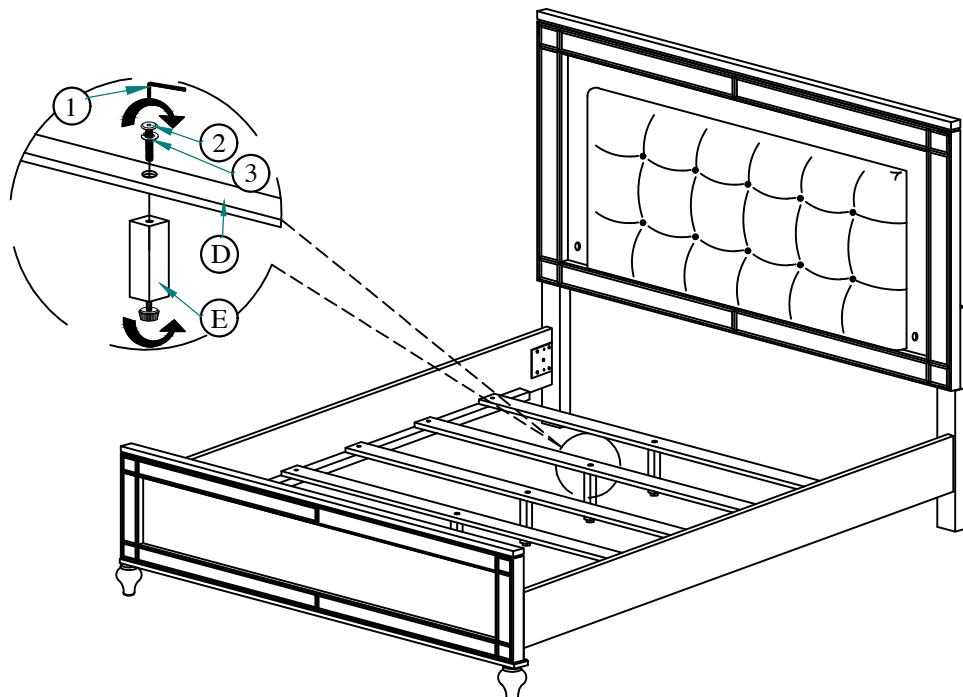
PLACE WOOD PARTS ON A
CLEAN NON-ABRASIVE SURFACE



Step 3:

Assemble the Slat Support Leg (E) to the Slat (D) by using Allen Key (1) with hardware Bolt (2) and Spring Washer (3). Adjust the leveler on the Slat Support Leg (E) to ensure the bed is level with the floor.

PLACE WOOD PARTS ON A
CLEAN NON-ABRASIVE SURFACE





New
Classic®
FURNITURE

ASSEMBLY INSTRUCTION

BA9698-310 VALENTINO 5/0 Q LIGHTED HEADBOARD

BA9698-320 VALENTINO 5/0 Q FOOTBOARD & SLATS

BA9698-330 VALENTINO 5/0-6/6 Q/EK SIDE RAILS

PLACE WOOD PARTS ON A
CLEAN NON-ABRASIVE SURFACE

