

SIDES

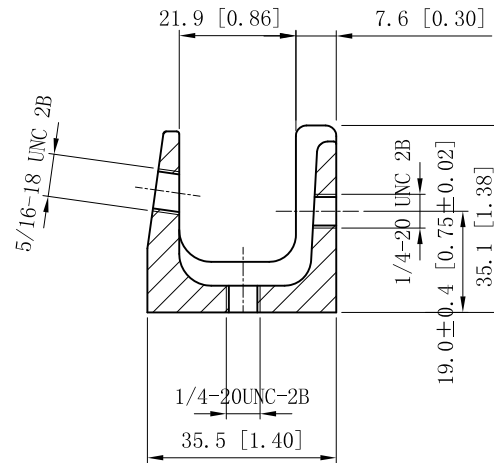
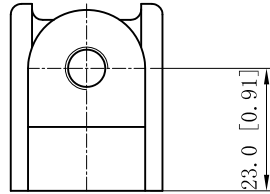
BOTTOM

UL File #

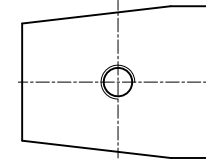
E332115

1 PCS 5/16-18×1 1/4 Screws Installed

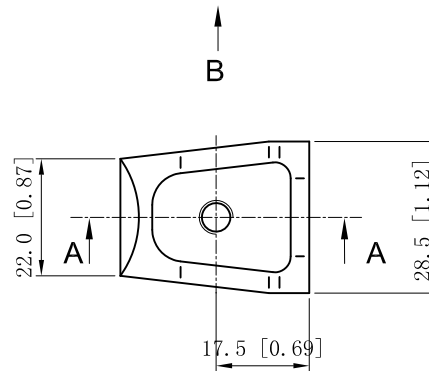
Material:Steel-Malleable Casting Galvanized



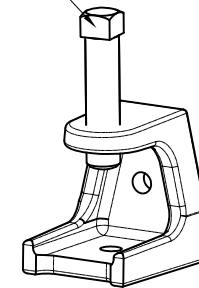
VIEW A-A



VIEW B-B



5/16-18×1-1/4 UNC



This data sheet is for reference only .GARVIN INDUSTRIES reserves the right to make changes to the design without prior notice.

DESCRIPTION

TRADE REFERENCE TERMS

STANDARD PACKING

50 PCS

GARVIN INDUSTRIES

MALLEABLE IRON BEAM CLAMPS

TITLE

SIZE
A4

DWG NO.

MBC-1420

REV
A

DATA SHEET