









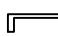
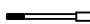

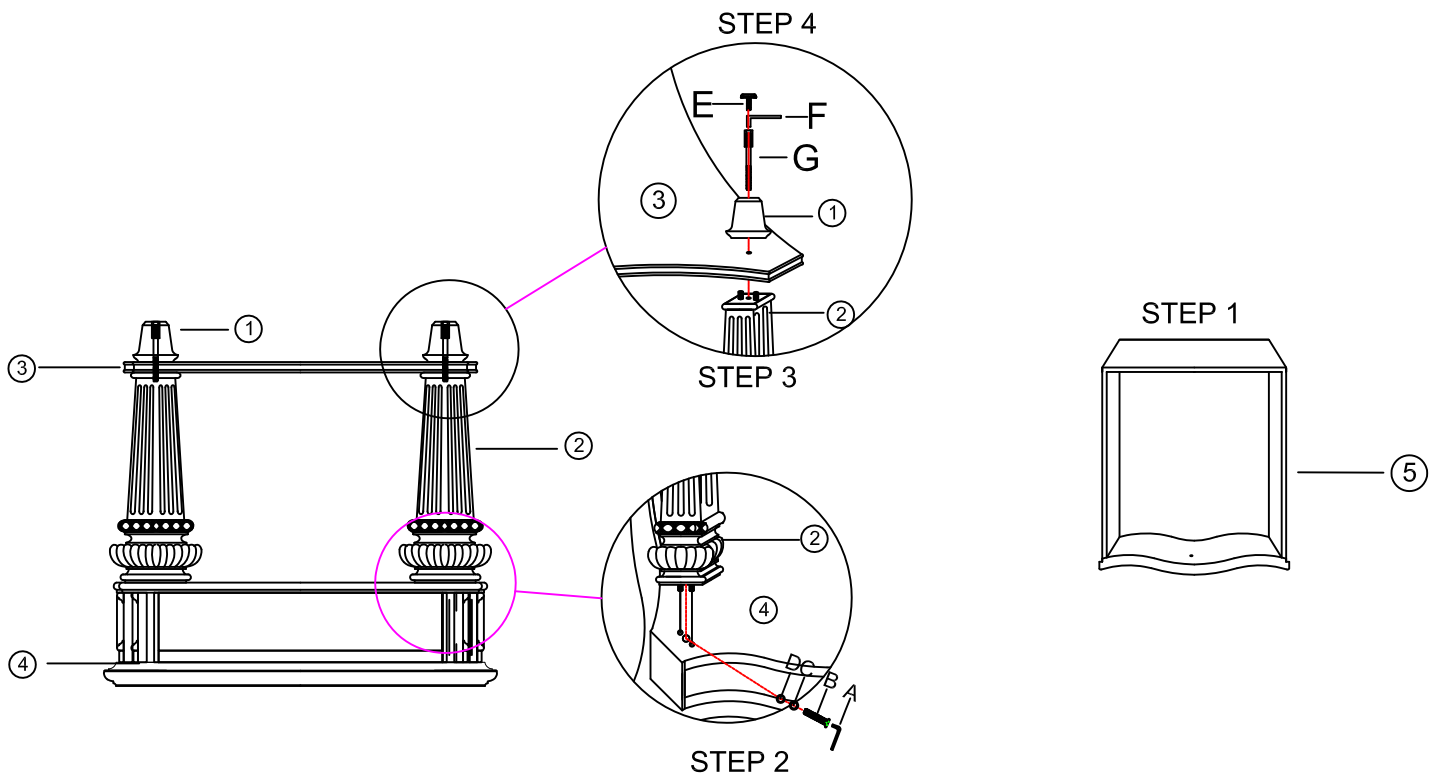


Thank you for purchasing this quality product. Be sure to unpack carefully looking for small parts which may have come loose during shipment.
Read all instruction and study the drawing carefully before starting the assembly process.

HARDWARE PACK

HARDWARE PACK					PARTS LIST			
NO.	DRAWING	DESCRIPTION	SIZE	Q'TY	NO.	DRAWING	DESCRIPTION	Q'TY
A		Allen Wrench	73*29*5mm	1PC	1		Foot	4PCS
B		Bolt	5/16*40mm	4PCS	2		Post	4PCS
C		Lock Washer	Ø5/16"	4PCS	3		Base Panel	1PC
D		Flat Washer	Ø5/16"	4PCS	4		Top	1PC
E		Adjustable Leveler	Ø1"	4PCS	5		Drawer	1PC
F		Allen Wrench	80*50mm	1PC				
G		Bolt	108mm*14mm	4PCS				
H		Anti-Tip Kit		1PC				



Step 1: Take out drawer (5).

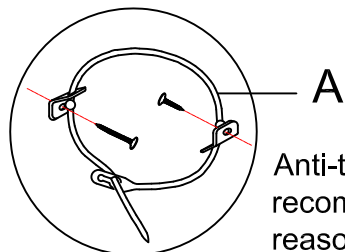
Step 2: Attach posts (2) to top (4) with flat washers (D), lock washers (C) and bolts (B), tighten bolts (B) with allen wrench (A).

Step 3: Place bottom panel (3) on posts (2), then attach feet (1) through bottom panel (3) to posts (2) by using bolts (G) and secure with allen wrench (F).

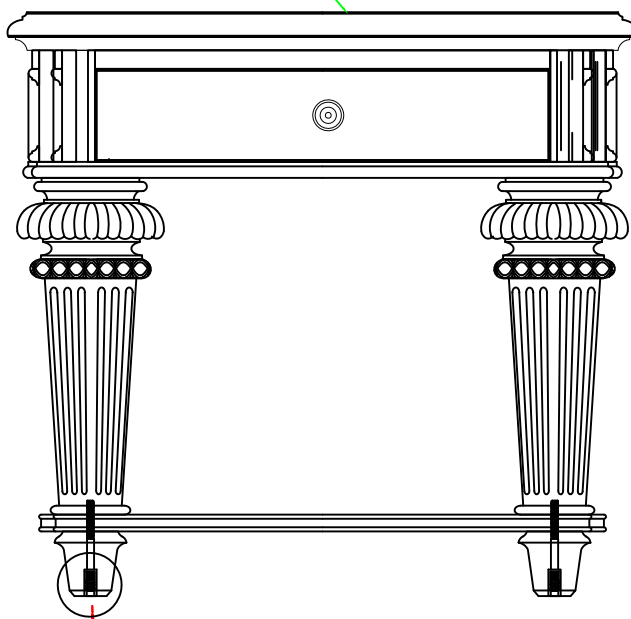
Step 4: Insert adjustable levelers (E) into bolts (G).

Thank you for purchasing this quality product. Be sure to unpack carefully looking for small parts which may have come loose during shipment.
Read all instruction and study the drawing carefully before starting the assembly process.

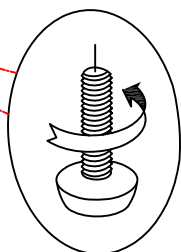
Tipping Restraint



A
Anti-tip kit is included for use. We recommend installing for safety reason.



STEP 5



Adjust Leveler if needed to level case on uneven floor.