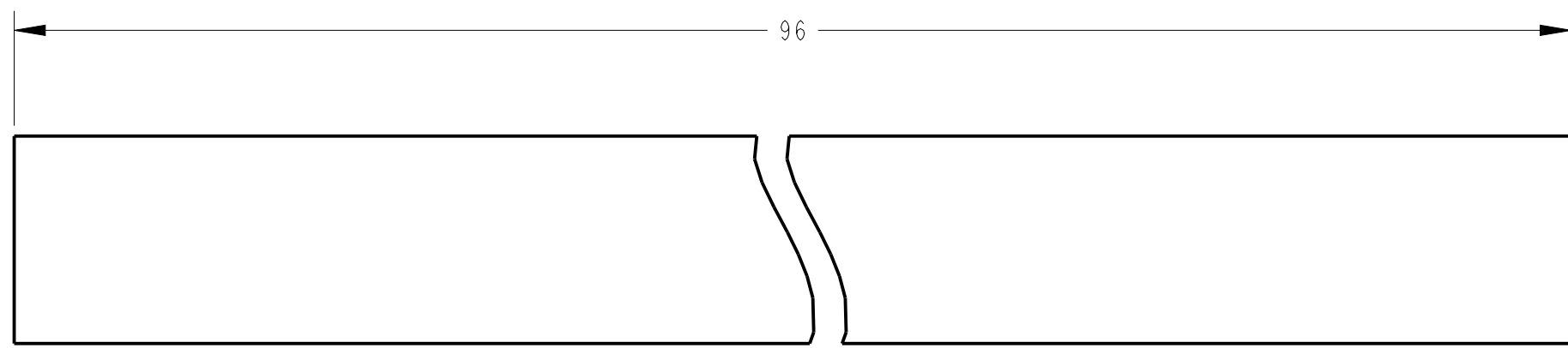
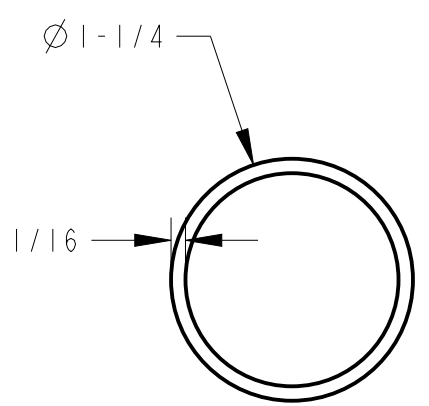
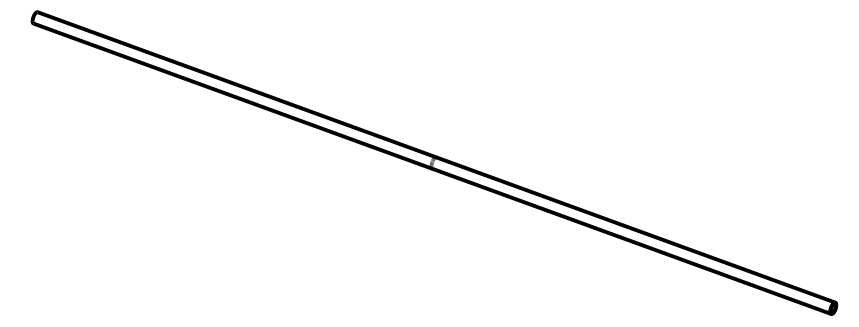


8 7 6 5 4 3 2 1

F  
E  
D  
C  
B  
A

HR ITEM NUMBER	MATERIAL	FINISH
151696CH-2	STEEL	CHROME
151696SN-2	STEEL	SATIN NICKEL
151696CH-A	ALUMINUM	CHROME
151696ORB-2	ALUMINUM	DARK BRONZE
151696SN-A	ALUMINUM	SATIN NICKEL



HARDWARE RESOURCES RESERVES THE RIGHT TO CHANGE SPECIFICATIONS WITHOUT NOTICE. IN CASE OF A DISCREPANCY, ACTUAL PART GEOMETRY SUPERSEDES THIS DOCUMENT.

THE INFORMATION CONTAINED WITHIN THIS DRAWING IS THE SOLE PROPERTY OF HARDWARE RESOURCES INC. ANY REPRODUCTION IN PART OR WHOLE WITHOUT WRITTEN PERMISSION OF HARDWARE RESOURCES INC. IS PROHIBITED.

DOCUMENT STATUS		<b>Released</b>	
UNLESS OTHERWISE SPECIFIED DIMENSIONS ARE IN INCHES (IN)			
MATERIAL	FINISH	DESCRIPTION	
SEE TABLE	SEE TABLE	CLOSET ROD, ROUND	
THIRD ANGLE PROJECTION		DRAWING NUMBER	REV
		151696	<b>B</b>
		DATE	SHEET
		03FEB2023	1 / 1

8 7 6 5 4 3 2 1