

# Installation Instructions

## Vanity

Record your model number:

Noter le numéro de modèle:

Anote su número de modelo: \_\_\_\_\_

Français, page 14

Español, página 26

**KOHLER®**

# Thank You for Choosing KOHLER

---

Need help? Contact our Customer Care Center.

- USA/Canada: 1-800-4KOHLER (1-800-456-4537) Mexico: 001-800-456-4537
- Service parts: [kohler.com/serviceparts](https://www.kohler.com/serviceparts)
- Care and cleaning: [kohler.com/clean](https://www.kohler.com/clean)
- Patents: [kohlercompany.com/patents](https://www.kohlercompany.com/patents)

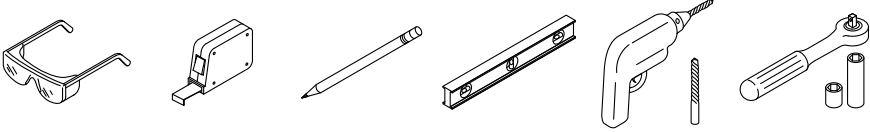
# Warranty

---

This product is covered under the **KOHLER® One-Year Limited Warranty**, found at [kohler.com/warranty](https://www.kohler.com/warranty). For a hardcopy of warranty terms, contact the Customer Care Center.

# Tools and Materials

---



**Plus:**

- 5/16" Lag Bolts and Washers [250 lb (113.4 kg)] Load Bearing]
- 2x6s
- 2x4s
- Woodworking Tools and Materials

## Before You Begin

---



**CAUTION: Risk of product damage.** Do not modify the vanity. Doing so will compromise structural stability.



**CAUTION: Risk of personal injury or property damage.** Select 250 lb (113.4 kg) load-bearing 5/16" lag bolts with a length to clear obstacles in the wall and 5/16" washers. Calculate the proper lag bolt length by adding the following: 1-1/2" (38 mm) backing material, plus the wallboard thickness, plus the back rail thickness.



**CAUTION: Risk of property damage.** To properly support the weight of the vanity and vanity top/sink, secure to stud framing or 2x6 support behind the finished wall.



**CAUTION: Risk of product damage.** Use care when moving the cabinet to avoid impacting, sliding, or side-loading the legs.

**NOTICE:** Siliconized acrylic caulk must be used to secure a sink or countertop to the vanity. Do not use 100% silicone sealant, which will damage the finish of the vanity.

**NOTICE:** Any electrical accessory components must be connected to a circuit protected by a Ground-Fault Circuit-Interrupter (GFCI) or Residual Current Device (RCD). Follow all local electrical codes.

Follow all local plumbing and building codes.

Your product may appear different from the one illustrated. The installation procedure is the same.

Two people should perform this installation.

This vanity is designed to allow most base moldings to pass behind the vanity.

To ease installation, remove drawers from the vanity before beginning. Refer to the section in this Installation Instructions for proper removal.

Secure the vanity to stud framing. When possible, provide 2x6 bracing behind the finished wall for additional support.

# IMPORTANT HEALTH NOTICE

---

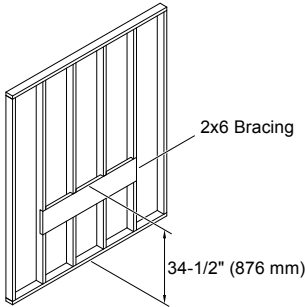
Some of the building materials used in this home (or these building materials) emit formaldehyde. Eye, nose, and throat irritation, headache, nausea and a variety of asthma-like symptoms, including shortness of breath, have been reported as a result of formaldehyde exposure. Elderly persons and young children, as well as anyone with a history of asthma, allergies, or lung problems, may be at greater risk. Research is continuing on the possible long-term effects of exposure to formaldehyde.

Reduced ventilation may allow formaldehyde and other contaminants to accumulate in the indoor air. High indoor temperatures and humidity raise formaldehyde levels. When a home is to be located in areas subject to extreme summer temperatures, an air-conditioning system can be used to control indoor temperature levels. Other means of controlled mechanical ventilation can be used to reduce levels of formaldehyde and other indoor air contaminants.

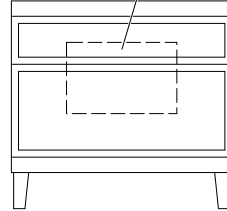
If you have any questions regarding the health effects of formaldehyde, consult your doctor or local health department.

# 1. Prepare the Site

---



Plan the plumbing area for the sink.



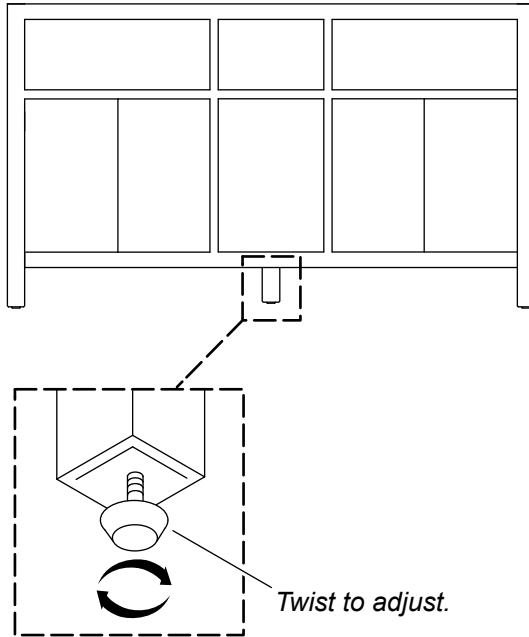
**CAUTION: Risk of property damage.** To properly support the weight of the vanity and vanity top/sink, secure to stud framing or 2x6 support behind the finished wall.

**NOTICE:** To verify proper support and alignment: The finished wall must be straight and plumb. The floor must be flat and perpendicular to the finished wall.

- If installing 2x6 bracing, front-notch the studs 1-1/2" (38 mm) to verify that the bracing sits flush against the studs. The bracing should span the length of the vanity.
- Plan for routing supply and drain piping for your desired sink installation.
- Plan for electrical service if installing the optional electrical strip. Any electrical accessory components must be connected to a circuit protected by a Ground-Fault Circuit-Interrupter (GFCI) or Residual Current Device (RCD).
- Complete the finished wall.

## 2. 60" and 72" Vanities - Adjust the Support Leg

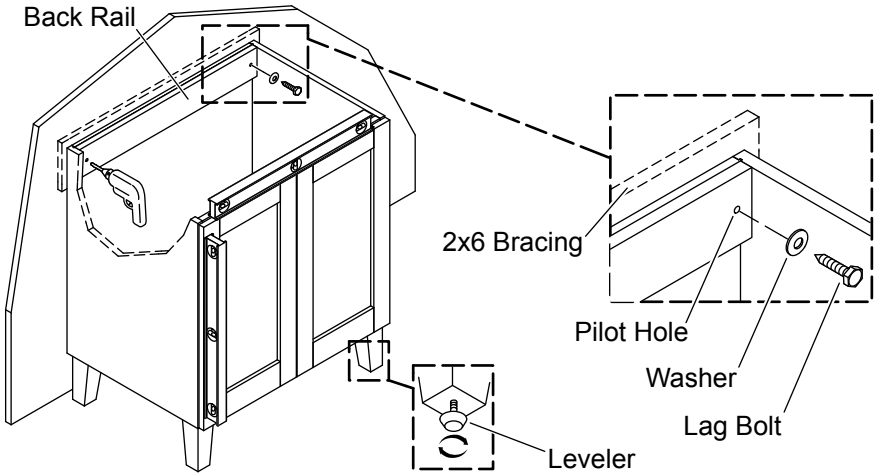
---



- With assistance, position the vanity against the finished wall. Do not drag the vanity into position.
- Verify that the vanity is level and plumb against the wall. If necessary, twist the center adjustment leg to level the bottom of the cabinet. If needed, place shims under the unit.

### 3. Secure the Vanity

---



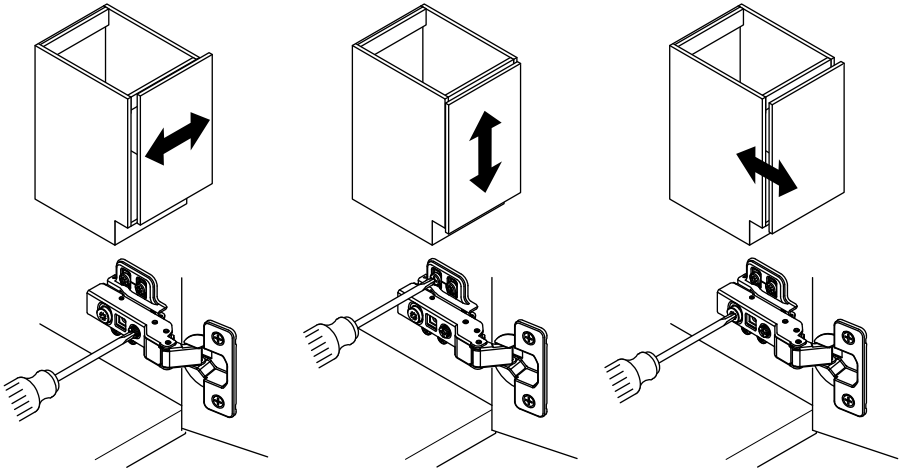
**CAUTION: Risk of property damage.** Select 250 lb (113.4 kg) load-bearing 5/16" lag bolts that are long enough to clear obstacles in the wall and 5/16" washers. Calculate proper lag bolt length by adding the following: 1-1/2" (38 mm) backing material + wallboard thickness + back rail thickness.

**CAUTION: Risk of product damage.** Drill the pilot holes for the leg bolts in the ends of the back rail to provide maximum support and to prevent flexing of the unit.

- With assistance, lift and place the vanity in position against the finished wall. **Do not drag the vanity into position.**
- Verify that the vanity is level and plumb against the wall. If necessary, turn the leveler(s) to adjust the unit.
- Using a 1/4" drill bit, drill two pilot holes through the ends of the back rail and the finished wall. Verify that the pilot holes are positioned in the back rail ends and verify that the lag bolts will engage the 2x6 backing material or any studs.
- Secure the vanity to the wall with two 5/16" lag bolts and washers (not provided).
- Install optional accessories (shelves, drawers, other) as desired. Refer to the instructions packed with the accessories.

## 4. Adjust the Door

---



**NOTE:** The hinges can be adjusted for proper door functionality and alignment.

### **Left/Right Adjustment**

- Tighten or loosen the front screw to adjust the door horizontally.

### **Up/Down Adjustment**

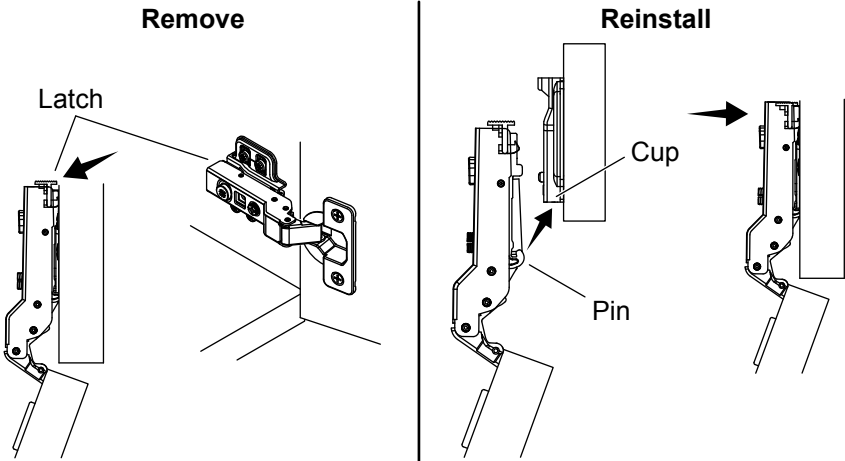
- Loosen the four screws holding the hinge to the cabinet. Adjust the height of the door and tighten the screws to secure the door in the desired position.

### **Forward/Backward Adjustment**

- Tighten or loosen the rear screw to adjust the door depth.

## 5. Remove the Door

---



### Remove

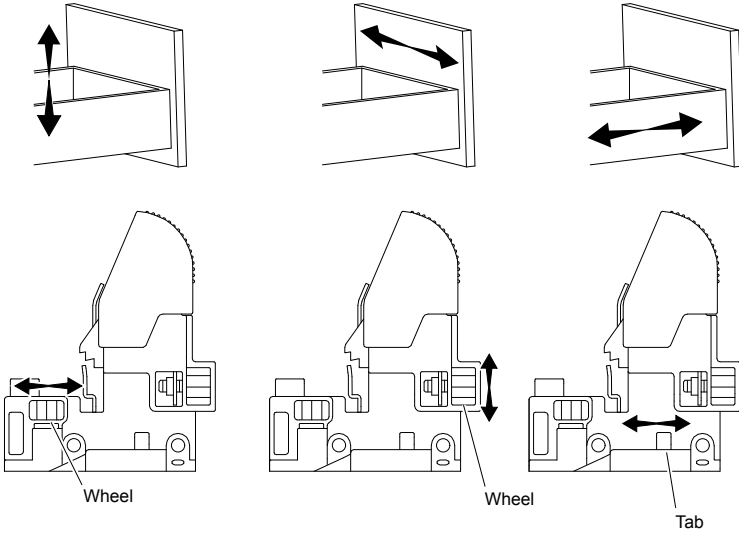
- With one hand, support the door in the open position.
- Starting with the bottom hinge, press the latch at the end of the hinge to release the latch from the bracket.
- Repeat for the upper hinge.
- Move the door forward to slide the hinges off the brackets.

### Reinstall

- With one hand, support the door in the open position.
- Starting with the top bracket, align the hinge pin with the cup of the bracket.
- Press the back of the hinge to snap the latch onto the bracket.
- Repeat for the lower hinge.
- Open and close the door to verify proper operation.

## 6. Adjust the Drawer

---



**NOTE:** The drawer clips can be adjusted for proper drawer functionality and alignment.

### **Up/Down Adjustment**

- Turn the front wheel to adjust the drawer up or down.

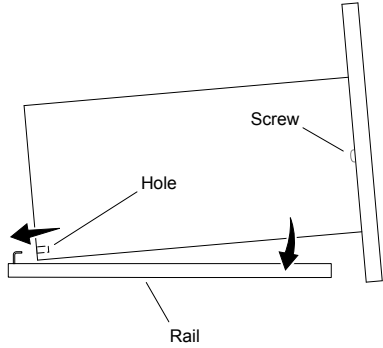
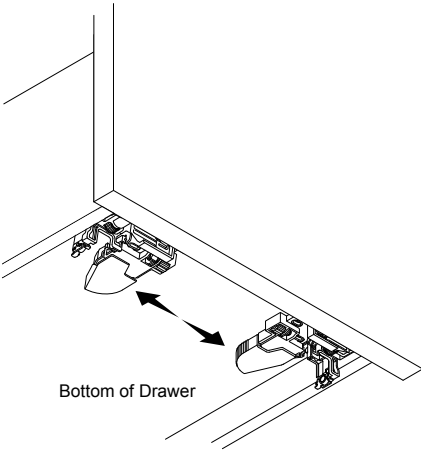
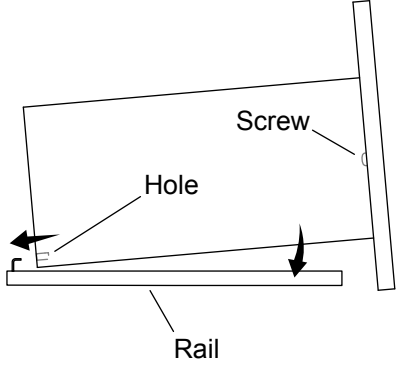
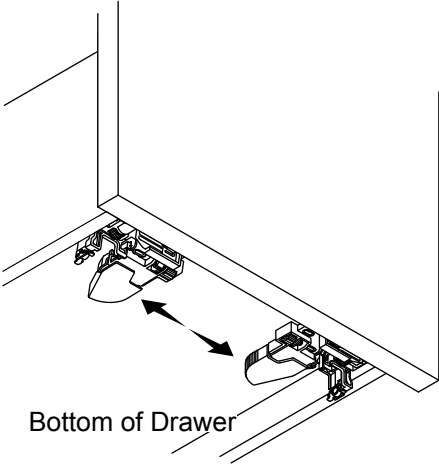
### **Left/Right Adjustment**

- Turn the side wheel to adjust the drawer left or right.

### **Forward/Backward Adjustment**

- Move the tab to adjust the drawer forward or backward.

# 7. Remove/Install the Drawer



## Removal

- Fully extend the drawer.
- From underneath, press the release latches toward the sides of the drawer.
- Lift the front of the drawer to disengage from the rails.