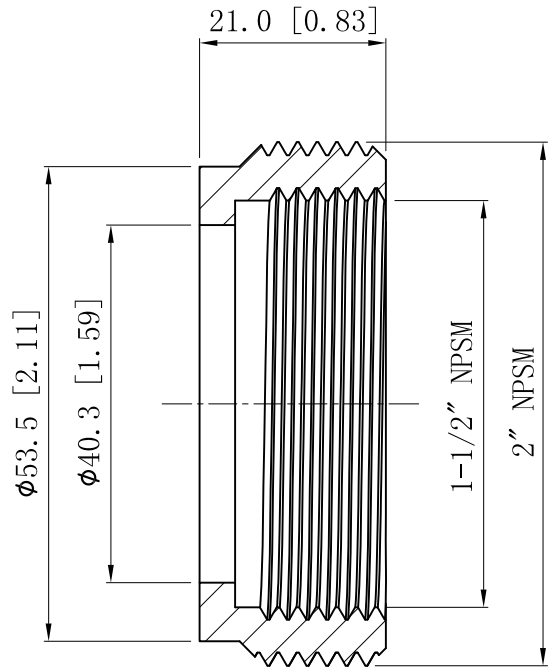
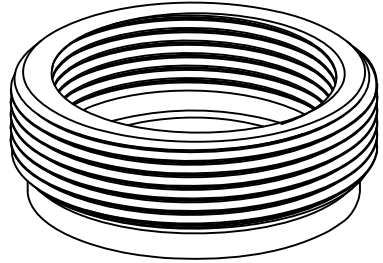
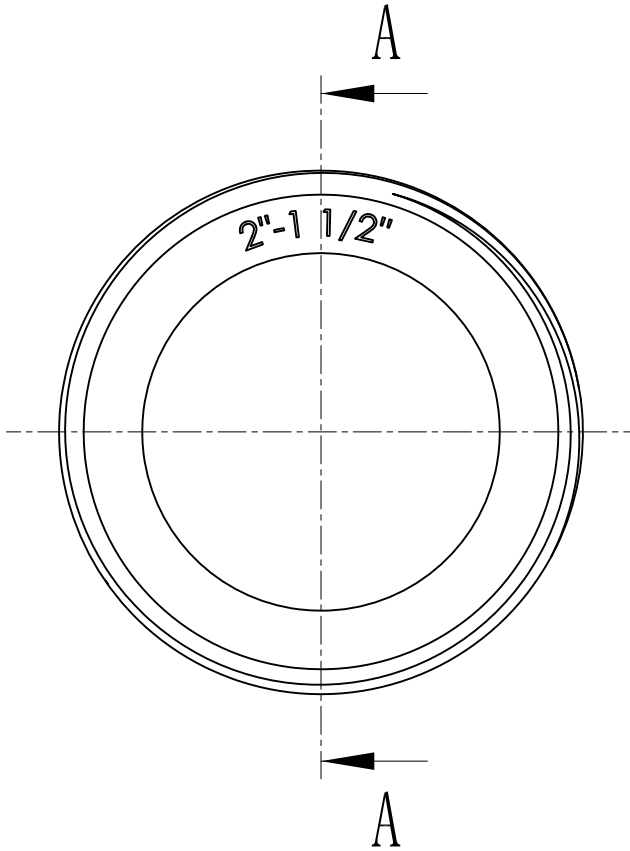


SIDES	BOTTOM
Material:Steel-316 Stainless steel	



CUTAWAY VIEW A-A



This data sheet is for reference only .GARVIN INDUSTRIES reserves the right to make changes to the design without prior notice.

DESCRIPTION
TRADE REFERENCE TERMS

STANDARD PACKING
5 PCS

<b>GARVIN INDUSTRIES</b>		
TITLE <b>STEEL REDUCING BUSHING</b>		
SIZE A4	DWG NO. RB-200150-SS	REV A
DATA SHEET		