



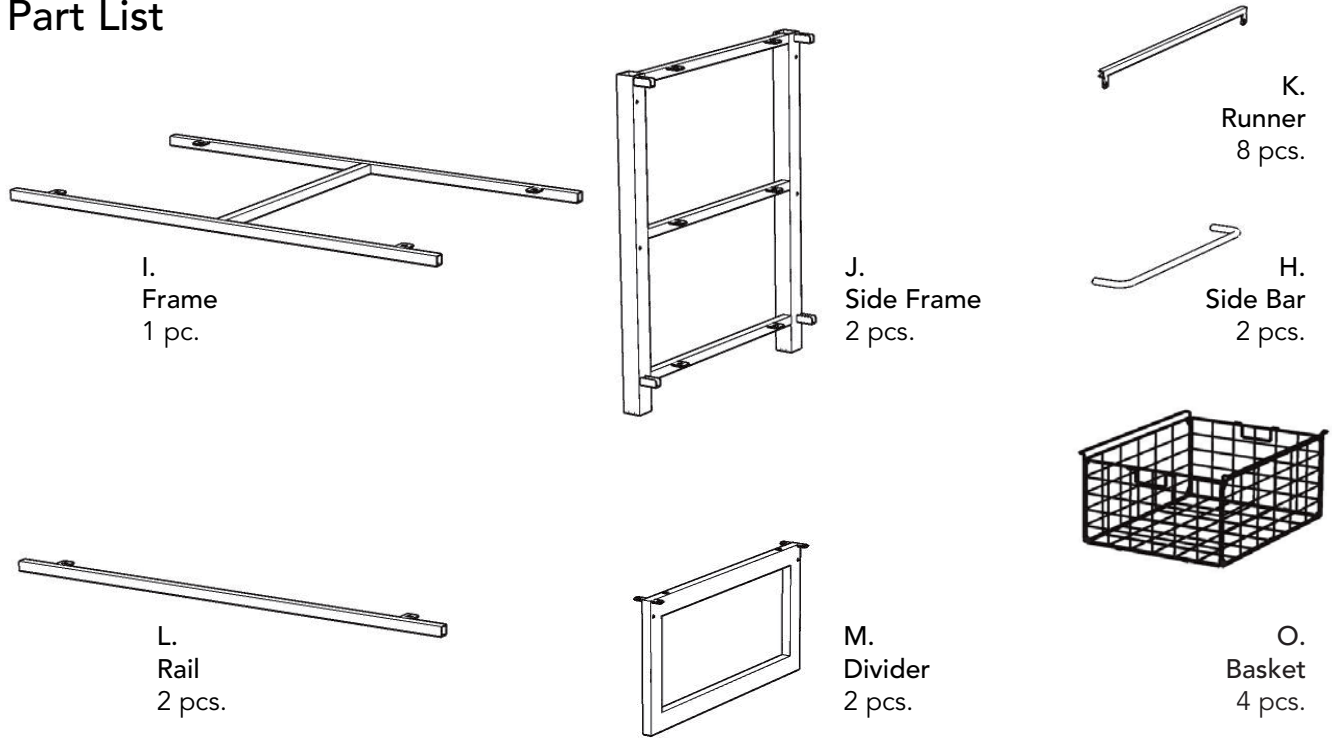
IMPORTANT

Carefully remove all the parts from the carton and place them individually on a soft cloth to prevent scratches or other damage.

Carefully and strictly follow these assembly instructions to ensure a completed product as designed.

Do not use power tools above 8 volts to assemble.

Part List



I.
Frame
1 pc.

J.
Side Frame
2 pcs.

K.
Runner
8 pcs.

H.
Side Bar
2 pcs.

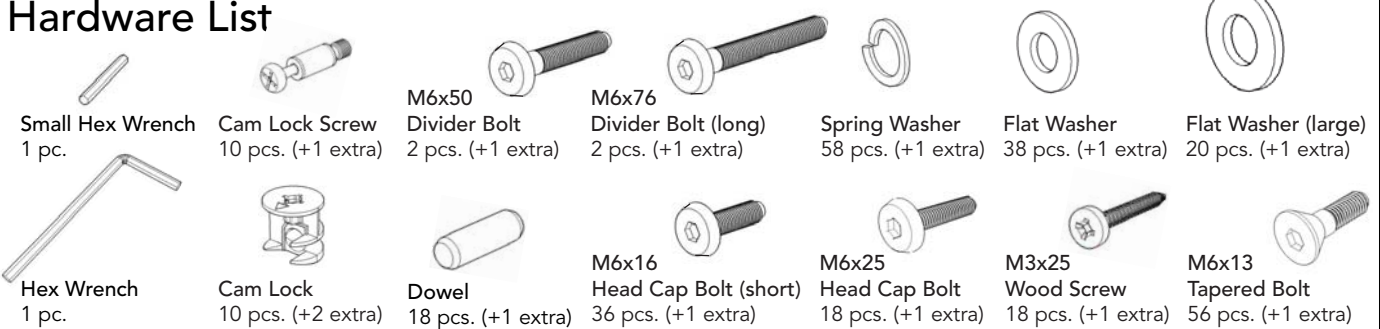
L.
Rail
2 pcs.

M.
Divider
2 pcs.

O.
Basket
4 pcs.

Refer to later page(s) of these instructions for drawer assembly.

Hardware List



Small Hex Wrench
1 pc.

Cam Lock Screw
10 pcs. (+1 extra)

M6x50
Divider Bolt
2 pcs. (+1 extra)

M6x76
Divider Bolt (long)
2 pcs. (+1 extra)

Spring Washer
58 pcs. (+1 extra)

Flat Washer
38 pcs. (+1 extra)

Flat Washer (large)
20 pcs. (+1 extra)

Hex Wrench
1 pc.

Cam Lock
10 pcs. (+2 extra)

Dowel
18 pcs. (+1 extra)

M6x16
Head Cap Bolt (short)
36 pcs. (+1 extra)

M6x25
Head Cap Bolt
18 pcs. (+1 extra)

M3x25
Wood Screw
18 pcs. (+1 extra)

M6x13
Tapered Bolt
56 pcs. (+1 extra)

Carton 20 05050 0942 is also needed for assembly.

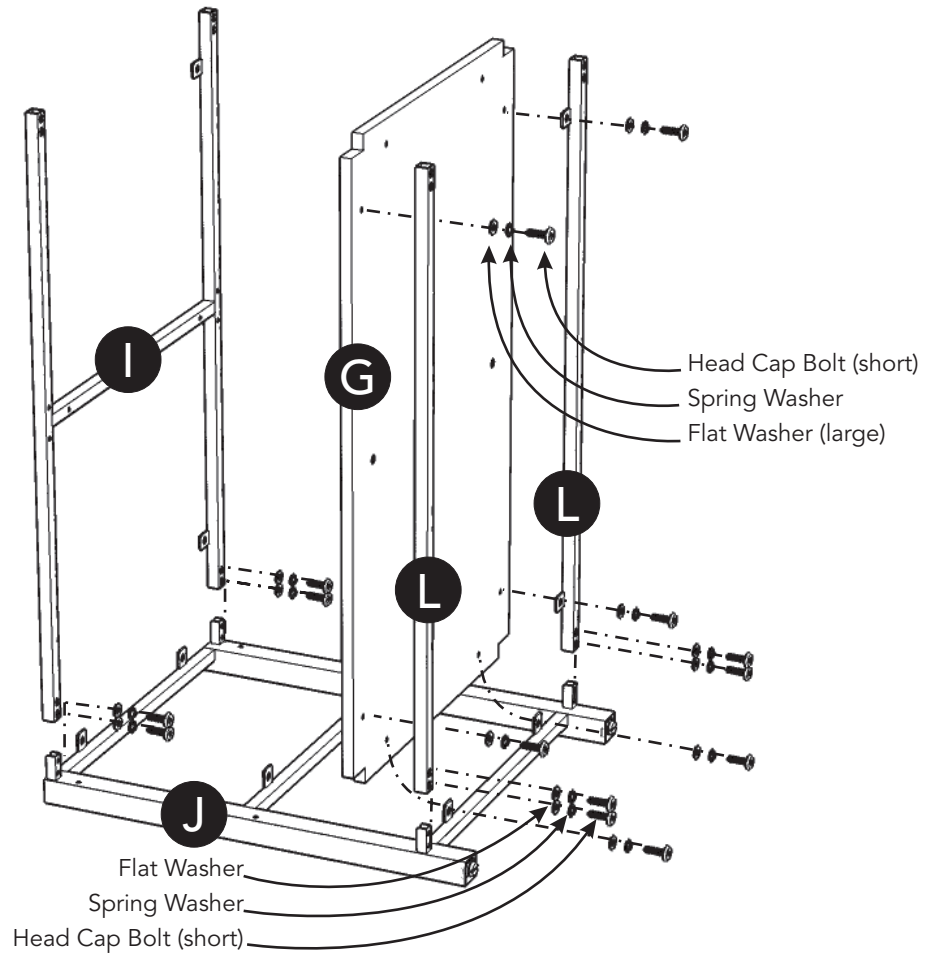
Tool(s) required for assembly: Phillips screwdriver, Level

Home Styles Customer Service: www.homestyles-furniture.com,
servicedesk@homestyles-furniture.com, 888-680-7460, 877-831-0319

Assembly Instructions 2/9

IMPORTANT

- Use a soft cloth between these parts and the floor.
- Do not use power tools above 8 volts to assemble.
- Do not tighten all the bolts until each part is properly assembled.
- Keep Hex Wrench as the bolts may need to be tightened in the future.



STEP 1

Attach Frame (I) and Rails (L) to Side Frame (J) with Head Cap Bolts (short), Spring Washers and Flat Washers, tightening bolts only halfway.

Tighten all bolts. (See Figure 1)

Attach Base (G) to unit with Head Cap Bolts (short), Spring Washers and Flat Washers (large), tightening bolts only halfway.

Tighten all bolts. (See Figure 2)

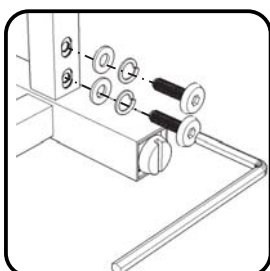


Figure 1

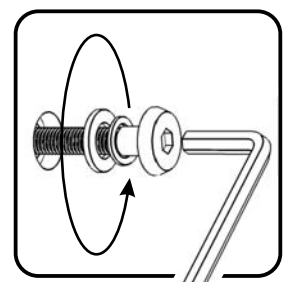
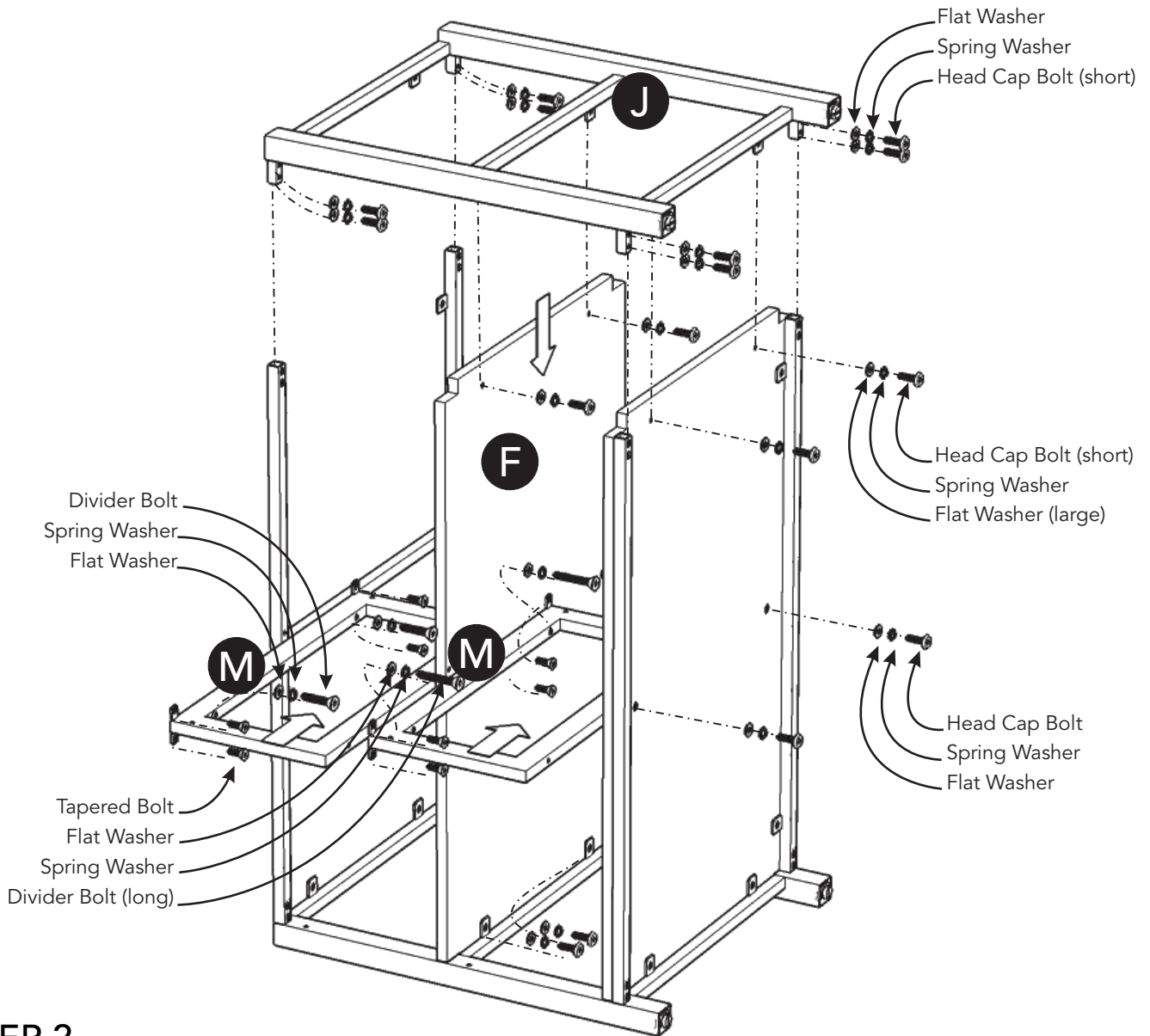


Figure 2

Assembly Instructions 3/9



STEP 2

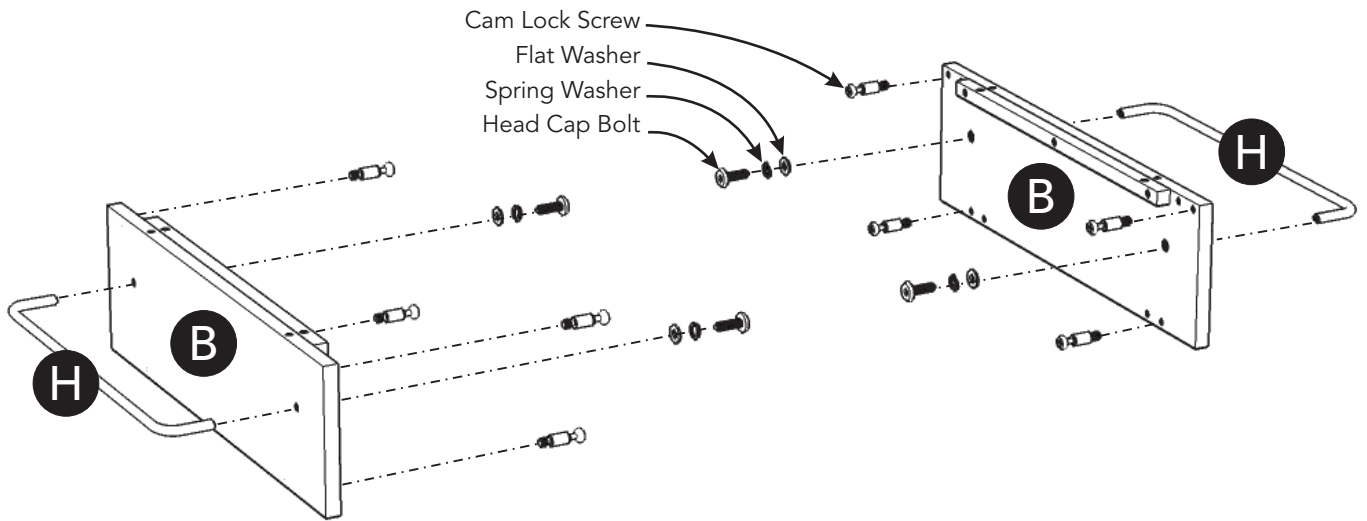
Attach Shelf (F) to unit with Head Cap Bolts, Spring Washers and Flat Washers (large), tightening bolts only halfway.

Attach Side Frame (J) to unit with Head Cap Bolts (short), Head Cap Bolt, Spring Washers, Flat Washers and Flat Washers (large), tightening bolts only halfway.

Attach Dividers (M) to unit with Tapered Bolts, Divider Bolts, Divider Bolts (long), Spring Washers and Flat Washers, tightening bolts only halfway.

Tighten all bolts.

Assembly Instructions 4/9



STEP 3

Insert Cam Lock Screws into pre-drilled holes in Side Panels (B).
(See Figure 3)

Attach Side Bars (H) to Side Panels (B) with Head Cap Bolts,
Spring Washers and Flat Washers.

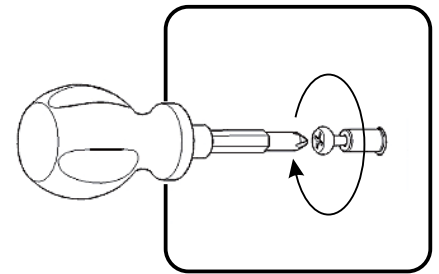
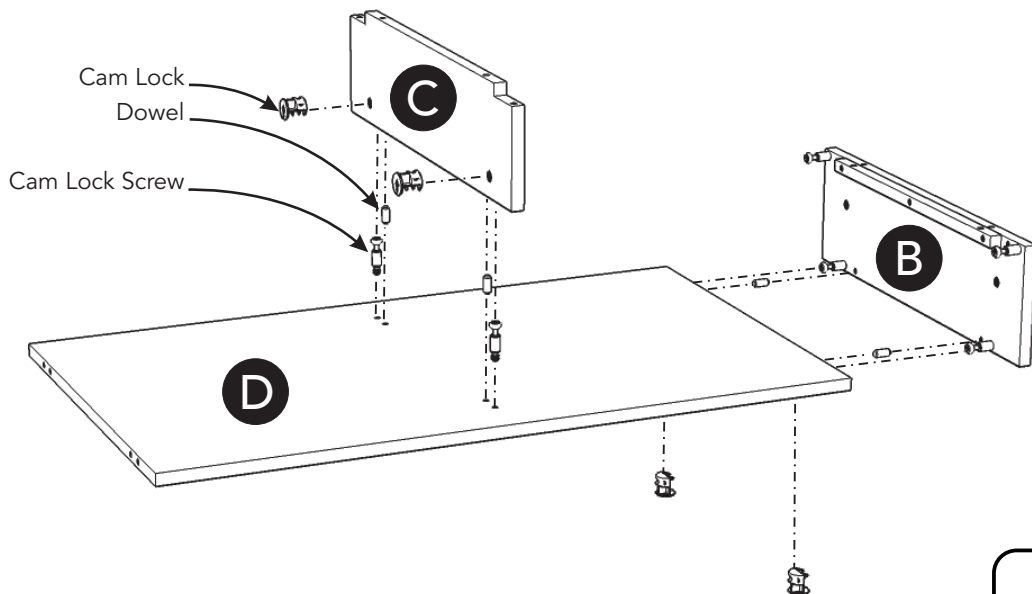


Figure 3



STEP 4

Insert Cam Lock Screws into pre-drilled holes in Bottom (D).

Attach Side Panels (B) to Bottom (D) with Dowels and Cam Locks.
(See Figure 4)

Attach Divider (C) to unit with Dowels and Cam Locks.

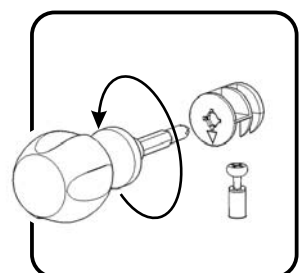
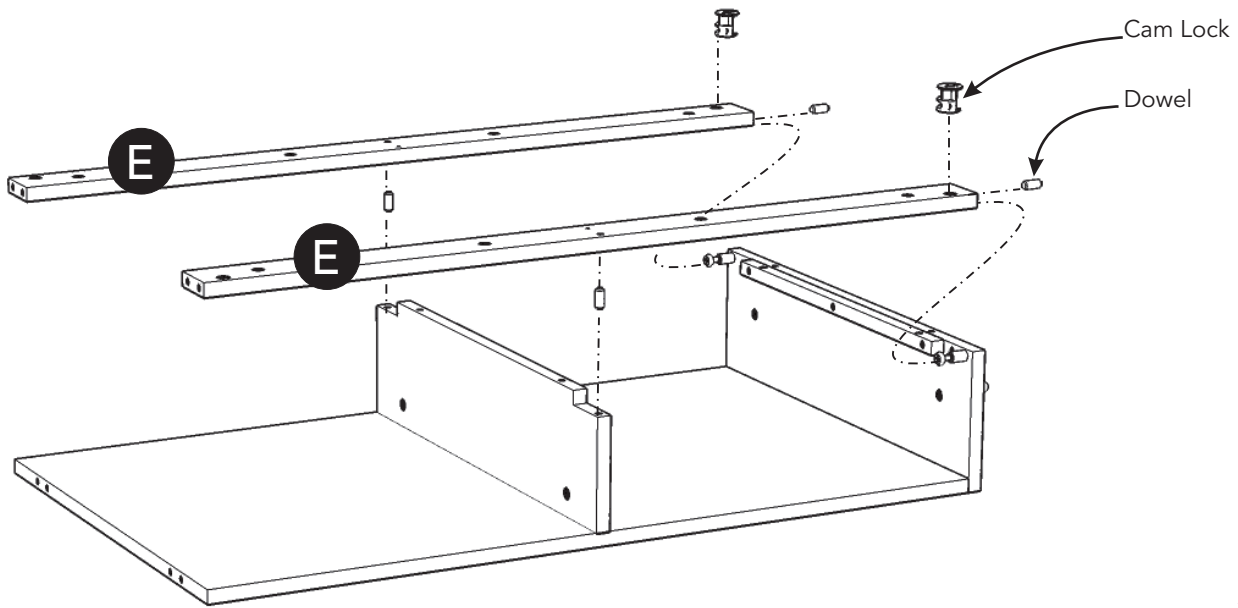


Figure 4

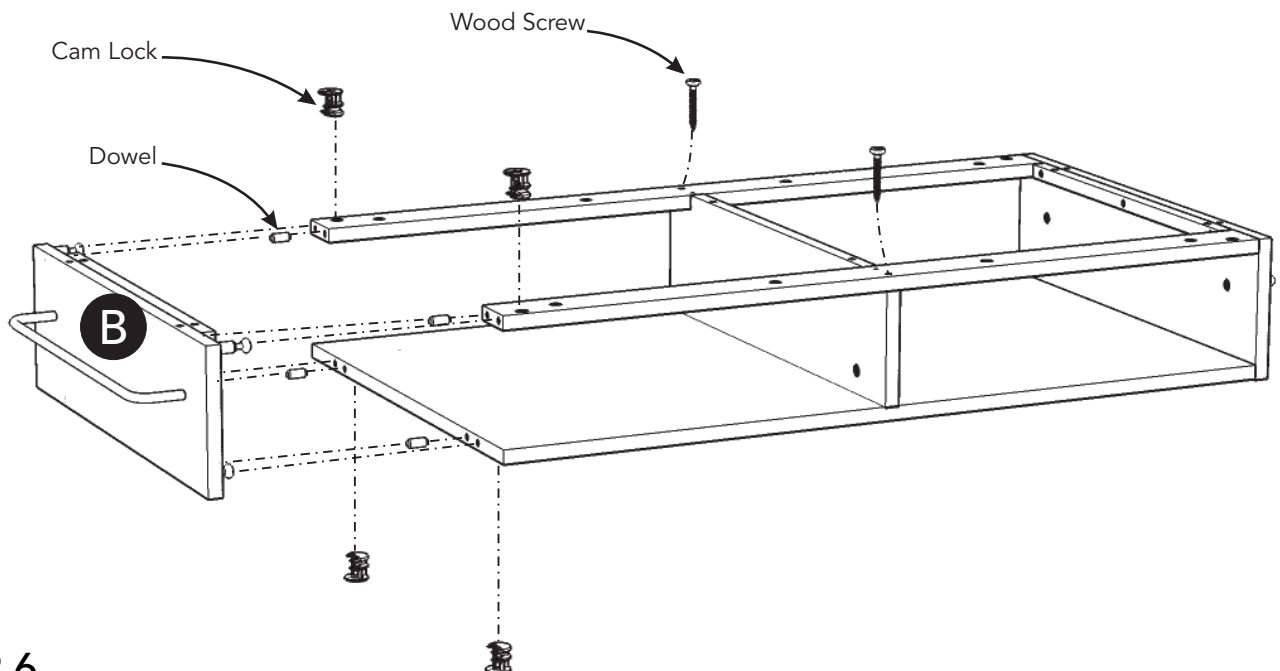
Assembly Instructions 5/9



STEP 5

Insert Dowels into pre-drilled holes in unit and Rails (E).

Attach Rails (E) to unit with Cam Locks.

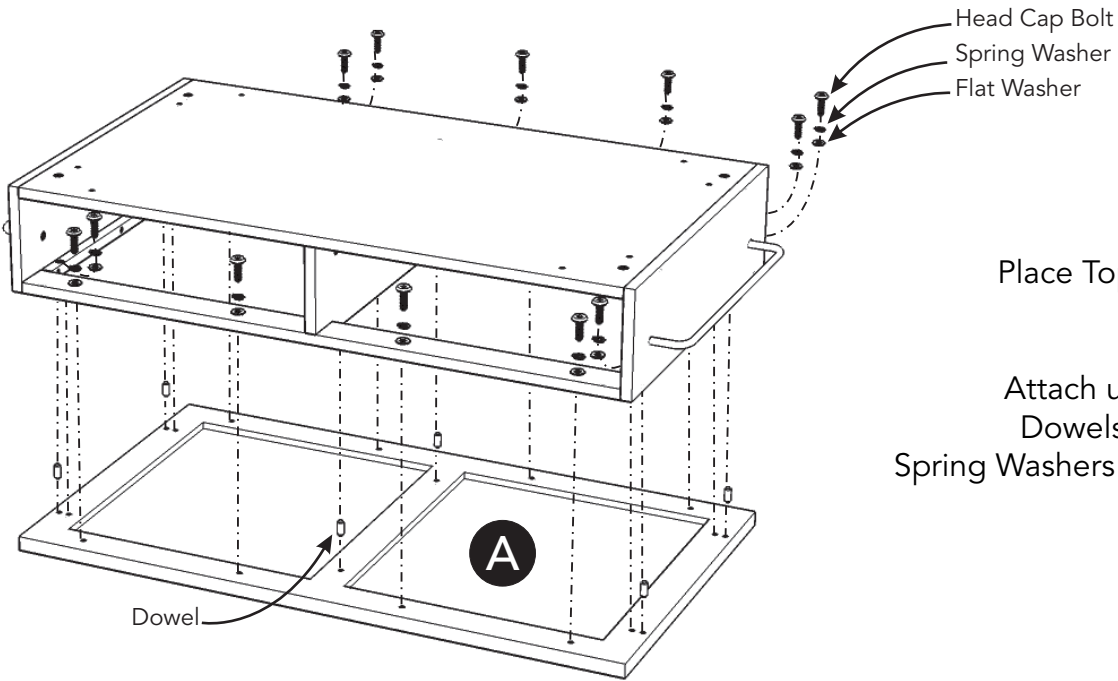


STEP 6

Attach Side Panel (B) to unit with Dowels and Cam Locks.

Insert Wood Screws into pre-drilled holes, then tighten.

Assembly Instructions 6/9



STEP 7

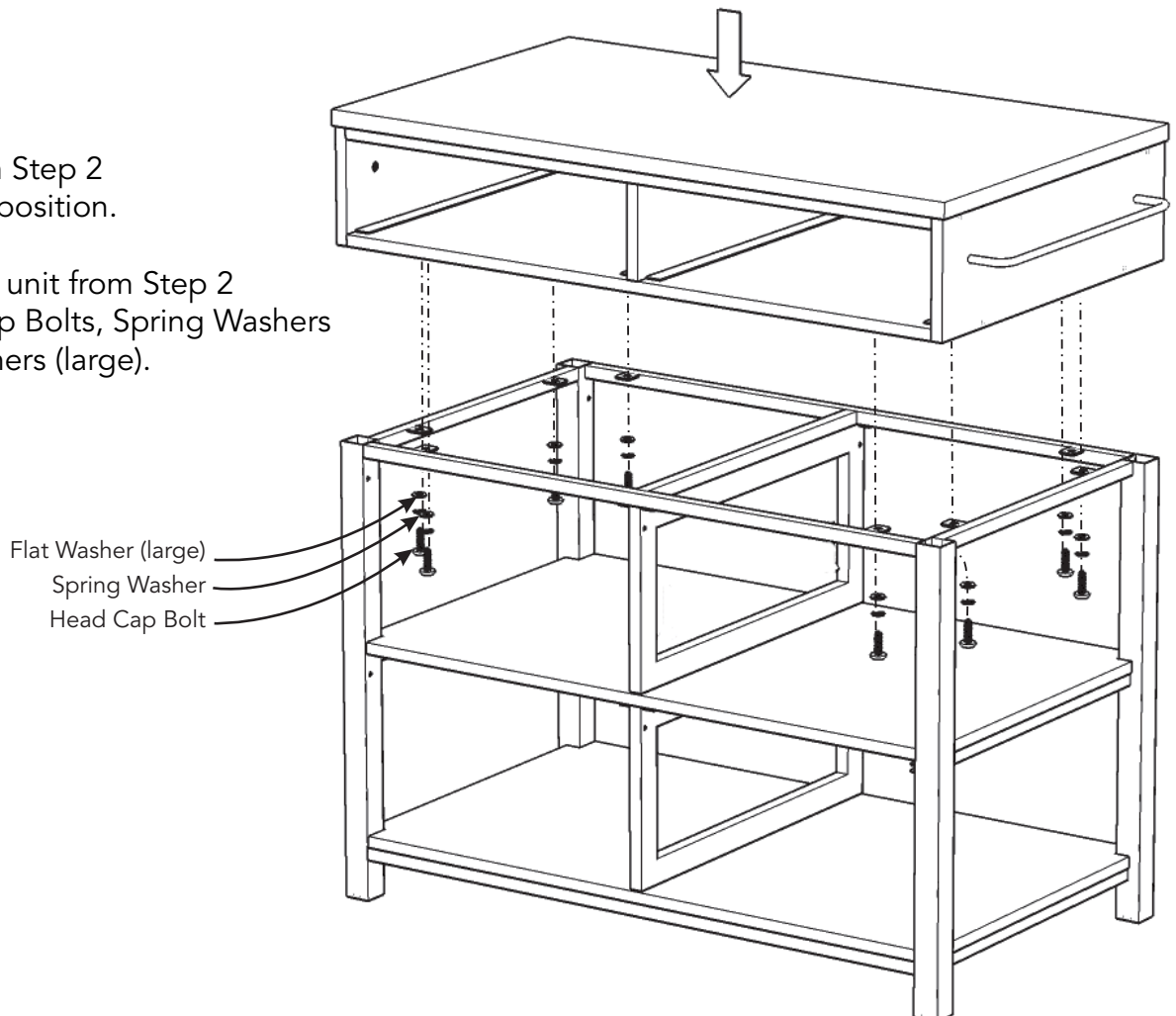
Place Top (A) upside down on a soft cloth.

Attach unit to Top (A) with Dowels, Head Cap Bolts, Spring Washers and Flat Washers.

STEP 8

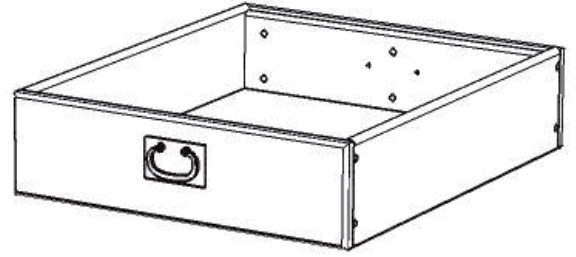
Turn unit from Step 2 to its upright position.

Attach unit to unit from Step 2 with Head Cap Bolts, Spring Washers and Flat Washers (large).

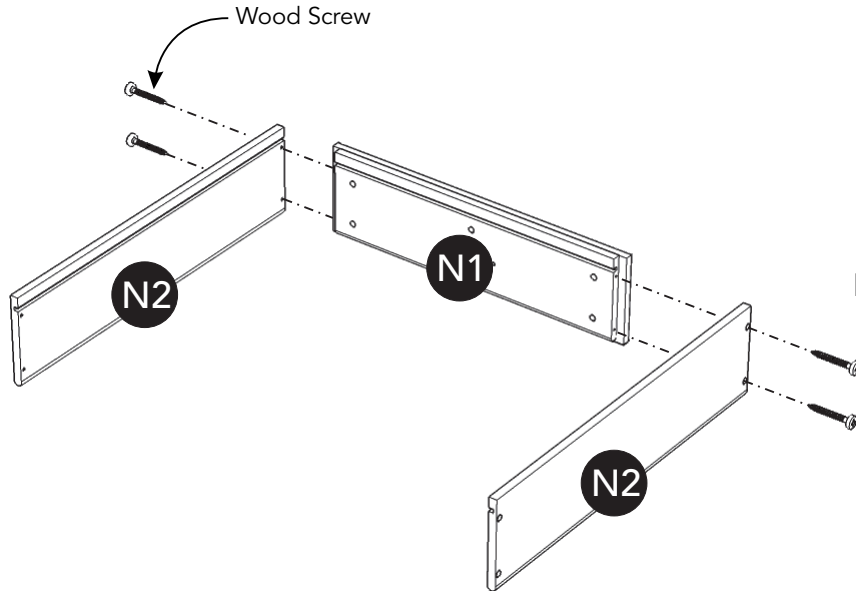


Assembly Instructions 7/9

Drawer (N)



STEP 9

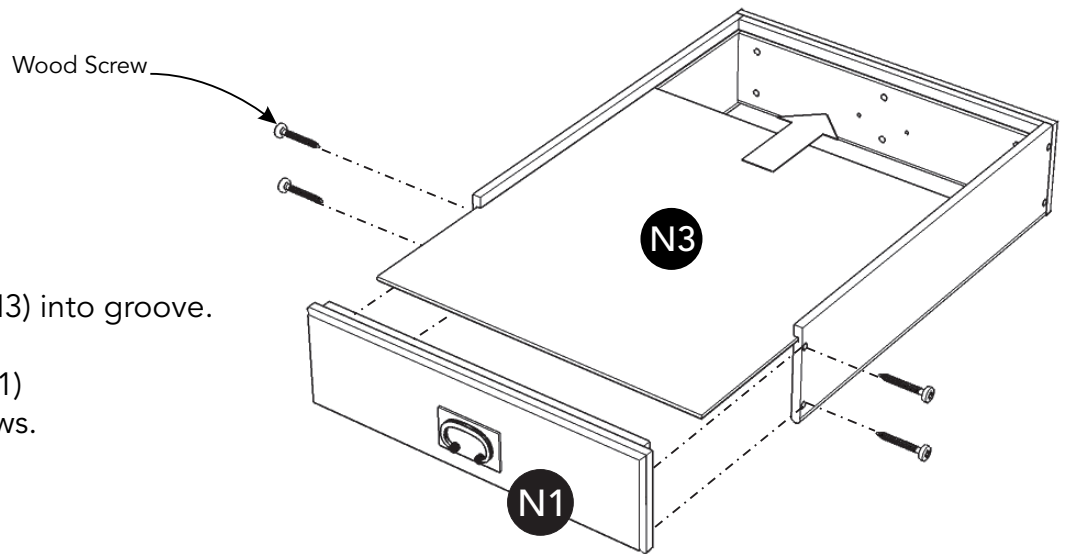


Attach Drawer Sides (N2) to Drawer Front (N1) with Wood Screws.

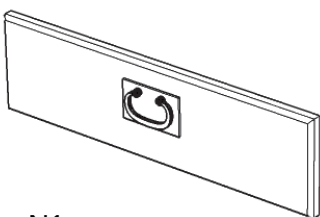
STEP 10

Slide Drawer Bottom (N3) into groove.

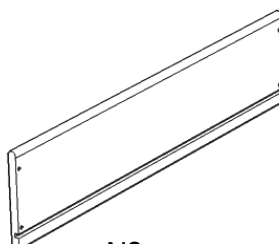
Attach Drawer Front (N1) to unit with Wood Screws.



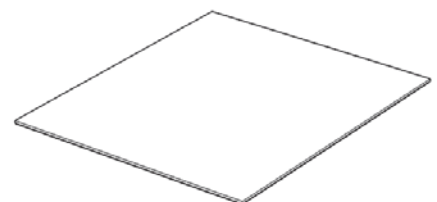
Part List



N1.
Drawer Front
4 pcs.



N2.
Drawer Side
4 pcs.



N3.
Drawer Bottom
2 pcs.

Assembly Instructions 8/9

Basket (O)

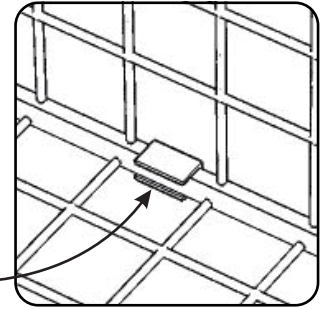
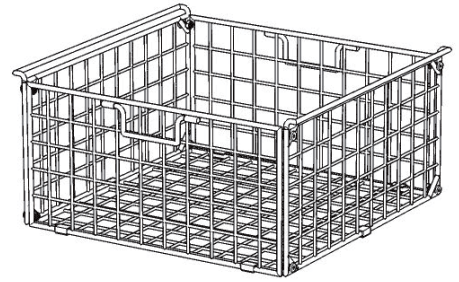
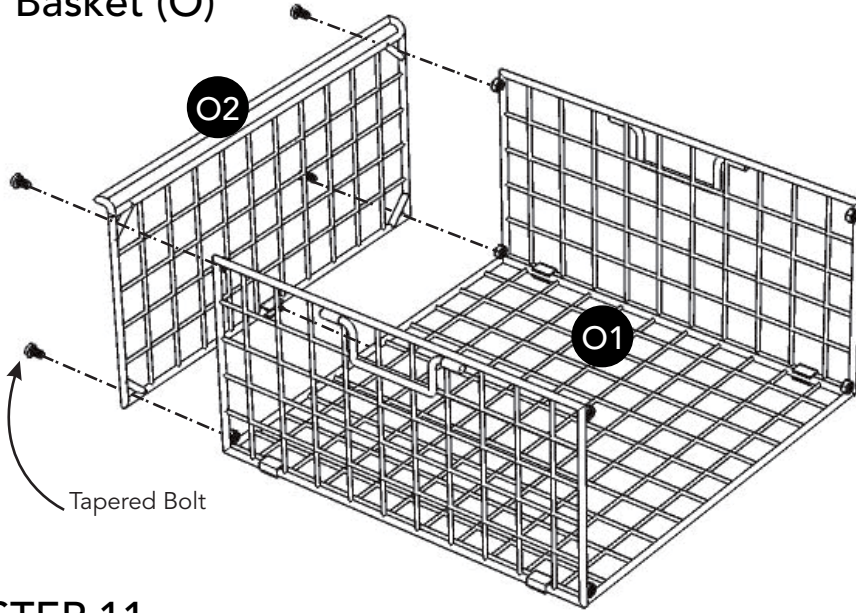


Figure 5

STEP 11

Attach Basket Side (O2) to Basket Unit (O1) with clips and Tapered Bolts. (See Figures 5 and 6)

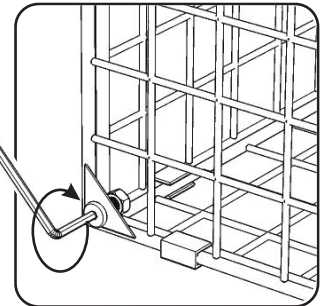
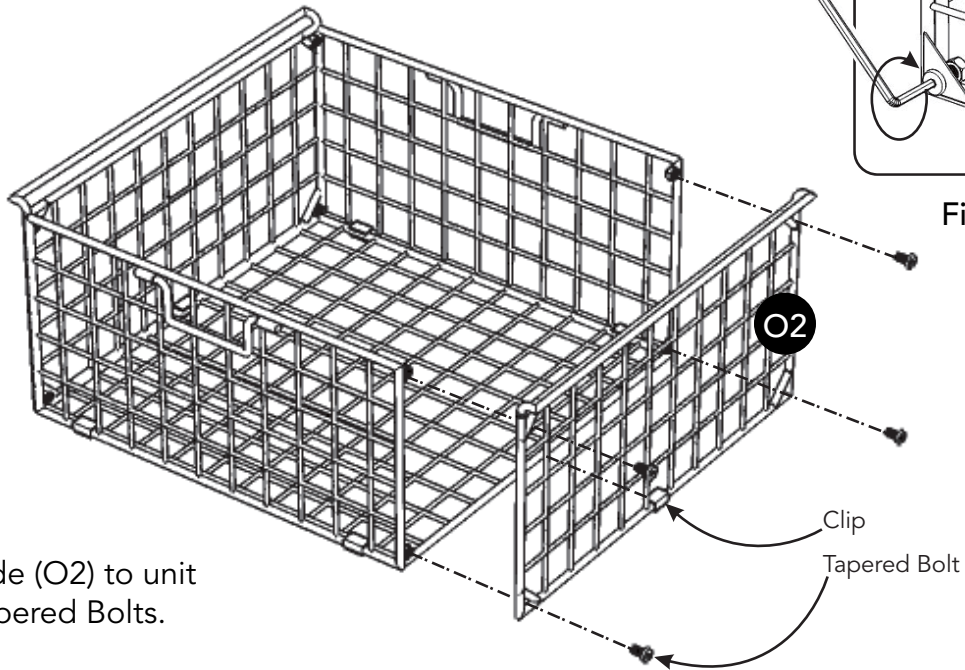


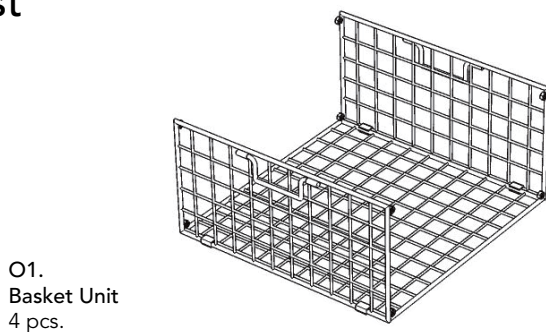
Figure 6

STEP 12

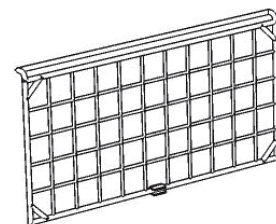
Attach Basket Side (O2) to unit with clips and Tapered Bolts.



Part List



O1.
Basket Unit
4 pcs.



O2.
Basket Side
8 pcs.

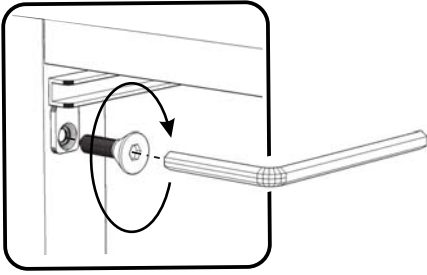
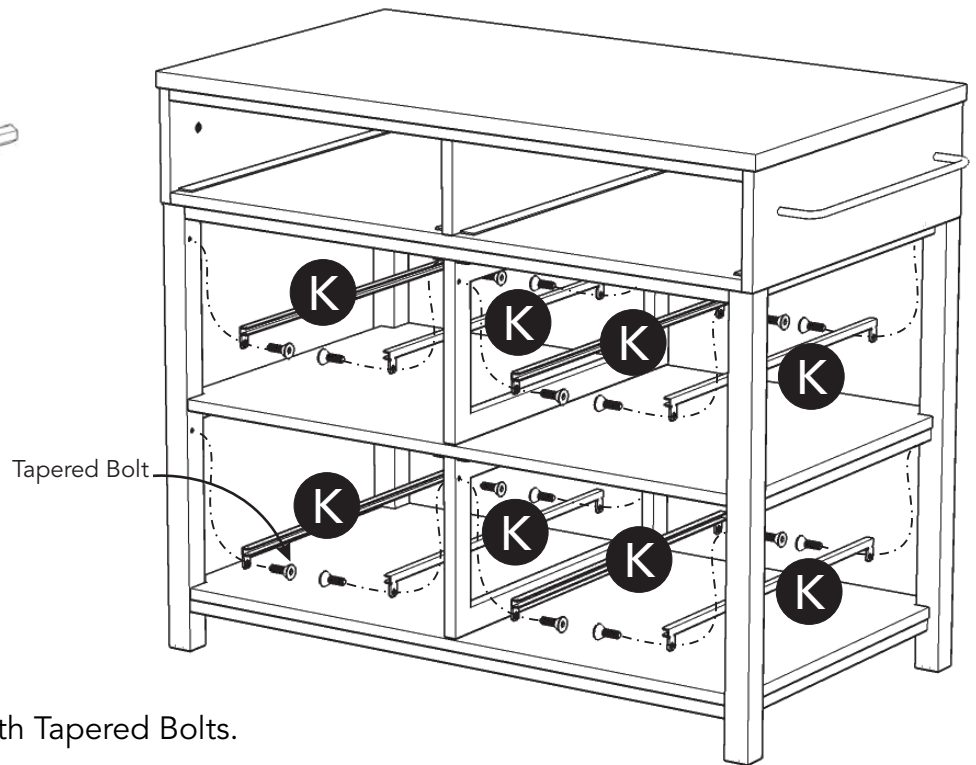
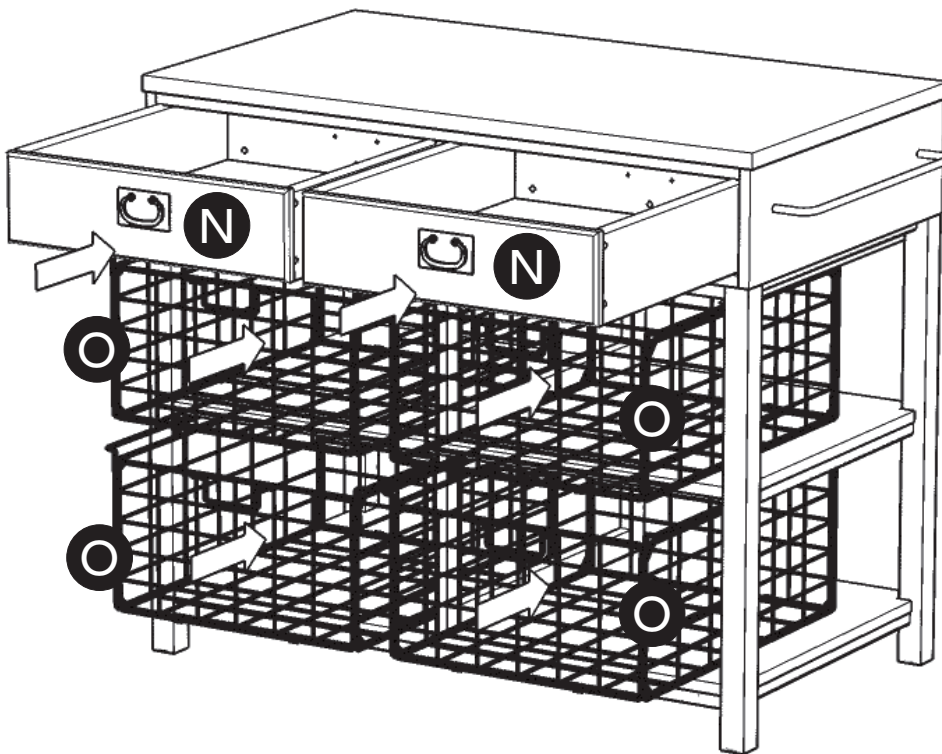


Figure 7



STEP 13

Attach Runners (K) to unit with Tapered Bolts.
(See Figure 7)



STEP 14

Slide Drawers (N) and Baskets (O) into position.

Level unit by adjusting the adjustable levelers on bottom of unit.
(See Figure 8)

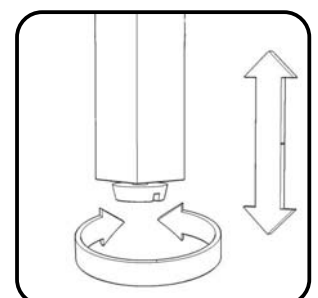


Figure 8

CARE INSTRUCTIONS

NEVER

allow liquids to remain on furniture.
Absorption causes parts to warp
and split and finishes to delaminate.

NEVER

use glass cleaners on
finished furniture. Ammonia
chemically attacks the finish.



Do not use power tools
above 8 volts to assemble.

**PREVENT
CRACKING**



Do not place
in direct sunlight.

**PREVENT
FADING**



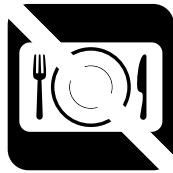
Do not write
directly on surface.

**PREVENT
MARKING**



Do not place hot
objects on surface.

**PREVENT
FINISH DAMAGE**



Do not use rubber
based placemats.

**PREVENT
DISCOLORING**

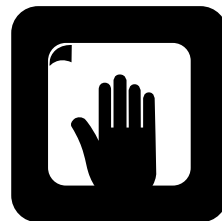


Do not use commercial
waxes and polishes.

**PREVENT
YELLOWING**

CLEAN

with a soft cloth moistened
in lukewarm soap and water.
Buff with a dry clean cloth.



Home Styles will provide replacements free of charge for missing or damaged hardware or parts within 30 days of purchase. Digital images of the defective parts may be required. If the product was not purchased from an authorized retail affiliate, Home Styles is under no obligation to provide replacement parts. Parts are not available for fully assembled items nor are parts available for sale. Replacements for missing or damaged hardware or parts may be requested at:

www.homestyles-furniture.com/customer-service/replacement-parts

Home Styles Customer Service: www.homestyles-furniture.com,
servicedesk@homestyles-furniture.com, 888-680-7460, 877-831-0319