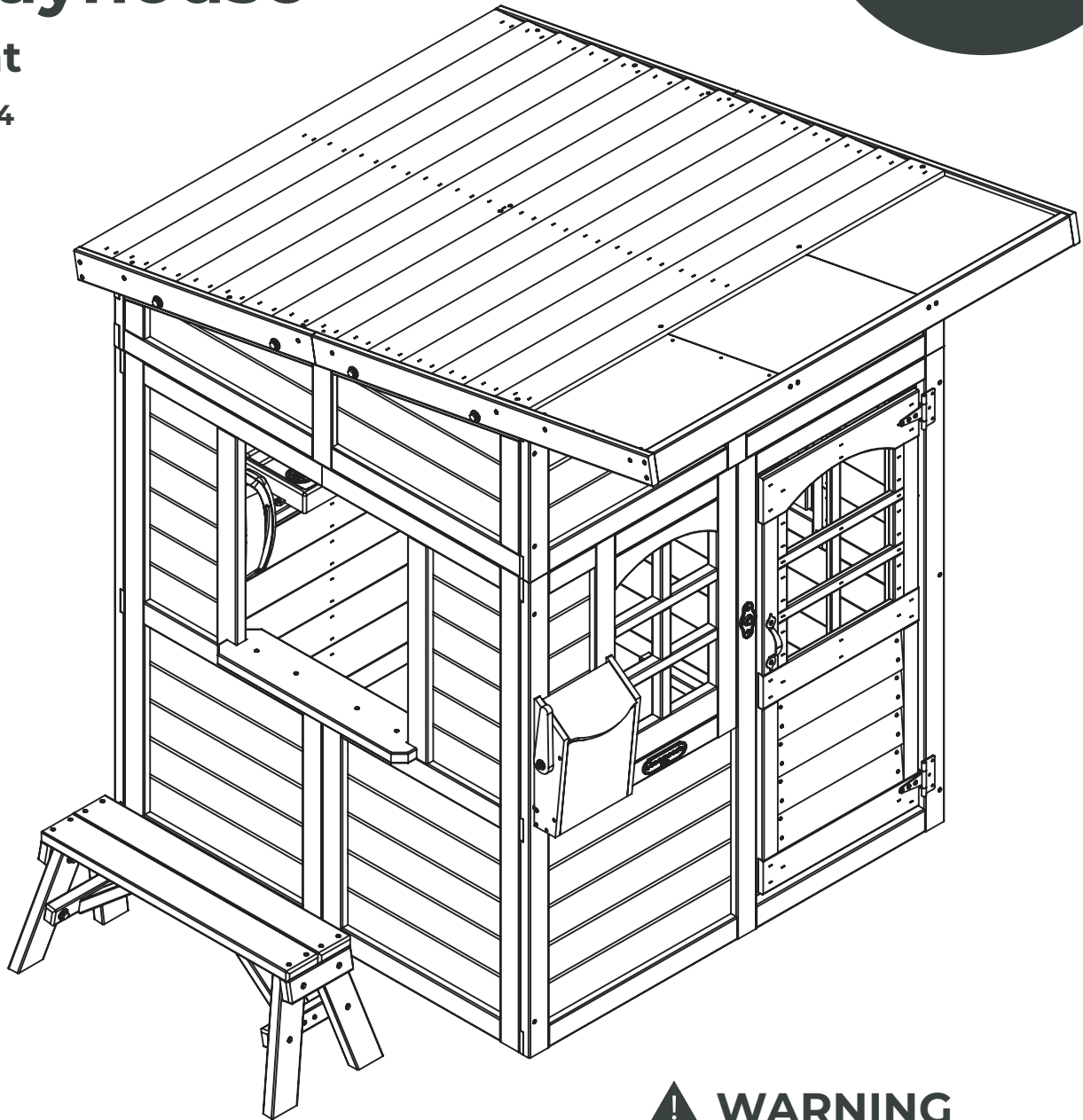


T-OD-0062-00B

# Rainbow Shade Outdoor Wooden Playhouse

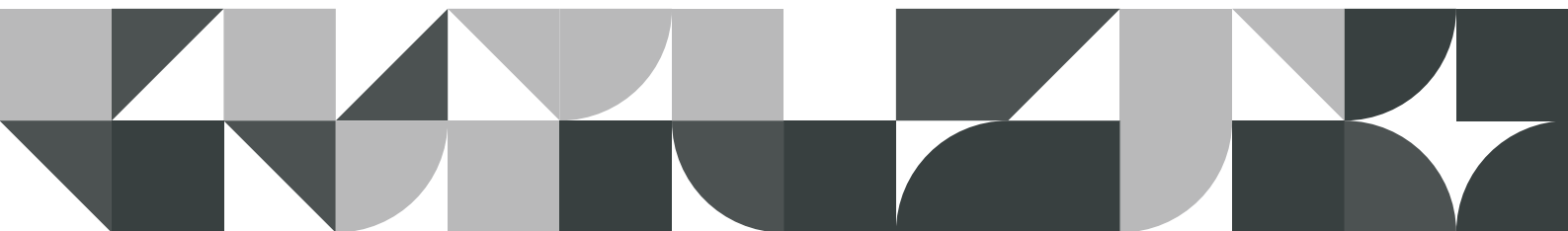
Mint

E-1224



## **!** WARNING

To reduce the risk of serious injury or death, please read and follow these instructions. Keep and refer to instructions as needed and pass along to any future owners of this item.



[www.teamson.com](http://www.teamson.com)

1280 Lakes Parkway Suite 200 Lawrenceville GA 30043 | (770) 246-4898

# Please Read this Before Assembly

- **Review the Manual:** Read the entire manual, especially the safety instructions, before starting.
- **Prepare the Area:** Ensure the installation area is level and suggest providing a 6-foot safety zone on all sides.
- **Inventory All Parts:** Lay out and check all parts, including small pieces that may be hidden in packaging.
- **Warranty Notice:** This playset is for private residential use only. Public use, such as in daycares or parks, will void the warranty.
- **Assembly Process:** Work with another person and leave bolts loose until the frame is fully squared.
- **Keep Safety in Mind:** Always prioritize safety during assembly and use, following the manual's guidelines.
- **Save the Manual:** Retain for future reference and maintenance.



MISSING A PART ?  
CONTACT US INSTEAD OF  
RETURNING TO THE STORE

*The store where you made your purchase does not stock parts for this item. If you have any questions or you are missing or have a damage part, please contact*

✉ **support@teamson.com**  
**+1(770) 246-4898 | www.teamson.com**



Please have the following information **model number** **batch number** **ID Plaque number** **part number** ready when you make your call:

T-OD-0069-00G

**Outdoor Explorer  
Charles Plus Playset**

E-1224

**model number**

\*Model Number located on the front of the assembly manual



**batch number**

123456789A

**Wood Parts**

number on the wood    part name    **part number**

**0010** Main Frame Side-Left - 3290010  
(x2) - 1 1/4" x 2 1/2" x 88"

quantity    part size

**Hardware**

**part number**    part name

**S37** Pan Screw  
(x20) - #7 x 5/8"

quantity    part size



Swing Set  
ID Plaque number

T1234567890



Playhouse  
ID Plaque number

T1234567890

# ⚠ Warnings and Safe Play Instructions

## Continuous Adult Supervision Required

This remains appropriately placed first as adult supervision is the foundation of playground safety. No further adjustments needed.

## Your Child's Safety is Our Top Priority

This effectively reinforces the importance of reviewing safety rules, and the wording is clear and concise.

## Choking Hazard/Sharp Edges & Points

Adult assembly required. This product contains small parts and parts with sharp edges and points. Keep parts away from children until fully assembled.

## Serious Head Injury Hazard

The placement after safety concerns is logical, and it leads directly into installation risks. The wording emphasizes the critical nature of installing proper shock-absorbing materials.

## Collision Hazard

This naturally follows the head injury risk by warning about environmental hazards. The current placement and phrasing are effective.

## Choking Hazard/Sharp Edges

This naturally follows the head injury risk by warning about environmental hazards. The current placement and phrasing are effective.

## Choking Hazard/Sharp Edges

Highlighting these risks during assembly is appropriate, as it reminds users to stay vigilant before the playset is fully constructed. The phrasing is clear.

## Tip-Over Hazard

Anchors shall be placed level with or under the ground in order to reduce tipping hazards.

## Warning Label Maintenance

This is correctly placed after the more immediate risks. Reminding users of their responsibility to maintain legible safety labels is key to ensuring long-term safety.

## Regular Inspection and Maintenance

The recommendation to inspect regularly aligns well after the playset is in use. This ties into the general theme of ongoing vigilance for safety.

## Anchoring and Stability

Anchoring is crucial for preventing tip-overs, so reiterating its importance after regular inspection strengthens the focus on structural stability. The flow here is smooth.

## Weather Considerations

The weather-related risks are well-placed after anchoring and stability. Seasonal considerations make sense following the structural checks.

## Surface and Clearance

Ending with this reinforces earlier safety points, particularly about head injuries. By revisiting the importance of ground clearance and protective surfacing, you ensure the reader is reminded of the foundational safety considerations.

## Clothing and Footwear Safety

Children must wear secure shoes and avoid loose clothing, such as ponchos, scarves, or items with drawstrings. Sandals, flip-flops, and clogs are not allowed.

## Strangulation Hazard

Children must not play with or attach ropes, clotheslines, pet leashes, cables, chains, or similar items to the playset. Use only equipment specifically designed for the playset to avoid strangulation risks.

## Helmet Safety

Children must remove bike or sports helmets before using the playset to prevent potential safety hazards.

Never add extra length to chain or rope. The chains or ropes provided are the maximum length designed for the swinging element(s).

## ✓ DO

- Follow capacity limits as specified for the playset to avoid overloading and structural damage
- Ensure children wear closed-toe, well-fitting shoes for better protection while playing
- Teach children to sit in the center of swing seats and hold both sides of the chain to prevent falls
- Inspect the playset regularly for cracks, splinters, or loose hardware. Repair or replace as needed
- Ensure ropes, chains, and cables are securely fastened at both ends, preventing entanglement hazards
- Check plastic slides or surfaces for high temperatures on hot days and cool them if necessary to prevent burns
- Position slides to minimize sun exposure, reducing the risk of overheating

## ✗ DO NOT

- Do not allow children to wear open-toe or heel shoes such as sandals or flip-flops
- Do not allow children to walk in front of, behind, or near moving swings or rides
- Do not let children twist swing chains or ropes, as this weakens the materials and increases the risk of failure
- Do not allow children to get off swings while they are in motion
- Do not permit play on wet equipment as it increases the risk of slipping
- Do not allow rough play or unsafe actions like jumping from swings, climbing roofs, or misusing equipment
- Do not allow empty seats to swing freely, which can create hazards for others
- Do not allow children to go down slides headfirst or run up slides

# Playground Surfacing Materials

THE FOLLOWING SAFETY GUIDELINES ARE BASED ON SECTION 4 OF THE CONSUMER PRODUCT SAFETY COMMISSION'S OUTDOOR HOME PLAYGROUND SAFETY HANDBOOK TO ENSURE COMPLIANCE AND REDUCE THE RISK OF SERIOUS INJURY.

## Select Protective Surfacing

- One of the most critical steps in reducing the risk of serious head injuries is installing shock-absorbing surfacing under and around your playground equipment. The protective surface should meet ASTM F1292 standards and be installed according to equipment height.
- **Do not** install playground equipment over concrete, asphalt, or other hard surfaces, as a fall can cause serious injury. Grass and dirt are not considered adequate protective surfaces because their shock absorption degrades over time.

## Loose-Fill Materials

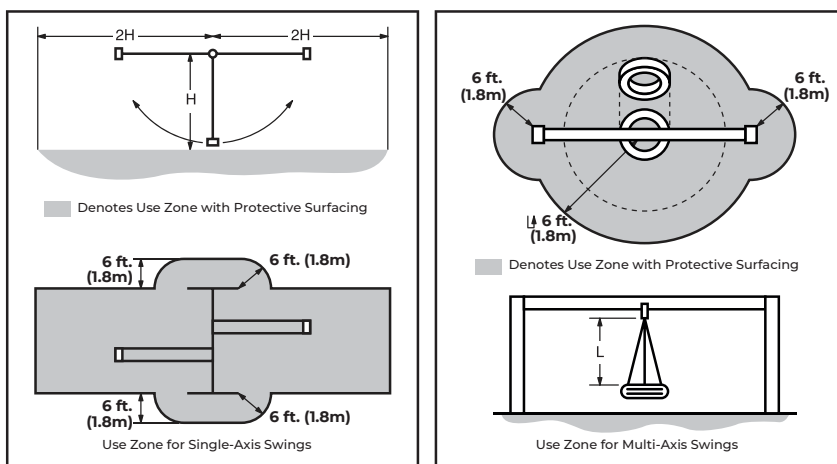
- Maintain at least **9 inches of wood mulch, engineered wood fiber (EWF), or shredded rubber** for equipment up to 8 feet high, or **9 inches of sand or pea gravel** for equipment up to 5 feet high. Begin with a fill level of 12 inches to allow for compression over time.
- For equipment less than 4 feet high, use a minimum of **6 inches of loose-fill** materials, but never less, as this can lead to compaction or displacement of the material.
- **Containment** methods like edging or digging out around the perimeter will help keep materials in place and manage water drainage. Regularly check and maintain the surface depth to ensure continuous safety.

## Poured-In-Place Surfaces and Rubber Tiles

- For a professional-grade option, you may consider **poured-in-place rubber or rubber tiles**. These surfaces must be installed by professionals and must meet the **ASTM F1292** safety standard. Be sure to check the manufacturer's reports to verify the surface protects against falls from your equipment's height.
- Regularly inspect the surfacing for wear and tear to ensure ongoing protection.

## Proper Placement

- Ensure that protective surfacing extends at least **6 feet in all directions** from the equipment.
- For swings, the surfacing should extend to a distance **twice the height of the swing's top bar**, both in front and behind the swings. For **tire swings**, the surfacing should form a circle with a radius equal to the swing's height, plus 6 feet, in all directions.



These safety guidelines are based on Section 4 of the Consumer Product Safety Commission's (CPSC) Outdoor Home Playground Safety Handbook. For more detailed information, please visit the CPSC website at [www.cpsc.gov](http://www.cpsc.gov) or contact their toll-free Consumer Hotline at 800-638-2772.

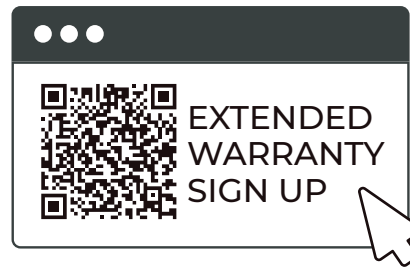
# Limited Warranty

Thank you for choosing Teamson's product. To enjoy the benefits of our warranty, please complete your register on our website.

## Visit Our Website

To register your purchase and activate your warranty, please visit:

[teamson.com/pages/warranty-registration](https://teamson.com/pages/warranty-registration)



Day count from date of purchase	Product Age	Customer Pays
Missing or damaged or defect parts	0~60 Days	\$0 for Part + Free Shipping
defects in material and workmanship	61 Days to 1 year	\$0 for Part + S&H fee
wood rot, decay, and insect damage	0 Days to 1 Year	\$0 for Part + S&H fee
	After 1 Year to 5 Year	pro-rated for Part + S&H fee
	Over 5 Years	100% for Part (if available) + S&H fee

THE MANUFACTURER RESERVES THE RIGHT TO MAKE SUBSTITUTIONS FOR WARRANTY CLAIMS IF PARTS ARE UNAVAILABLE OR DISCONTINUED.

**This warranty is valid for the original owner and registrant only and cannot be transferred.**

Regular maintenance is essential to preserve the product's integrity. Failure to perform maintenance as outlined in the product's requirements may result in the warranty becoming void.

### Exclusions from this Limited Warranty:

- Natural characteristics of wood such as twisting, warping, checking, peeling, or any similar changes that do not impact the product's performance or integrity.
- Improper installation or failure to follow the Assembly Instructions, which will nullify the warranty.
- Labor costs for inspections or replacements of defective parts.
- Incidental or inconsequential damages.
- Cosmetic issues, including rusting, fading, minor cracks, or corrosion that do not affect functionality or structural integrity.
- Vandalism, misuse, or overloading beyond the stated capacities in the Assembly Manual.
- Damage caused by acts of nature, such as wind, storms, hail, floods, or excessive water exposure.
- Installation on unsuitable surfaces, including uneven, unlevel, or soft ground.

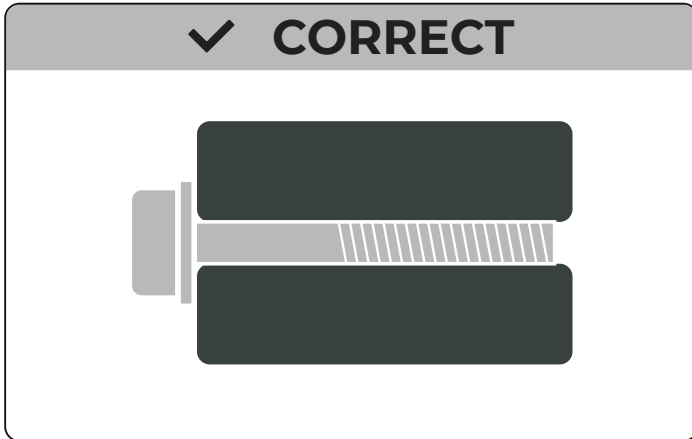
### Attention:

- This product is warranted solely for residential use. Use in public settings, such as schools, churches, playgrounds, parks, or daycares, is strictly prohibited. Public use will void the warranty and may result in product failure and potential injury.
- Teamson products are engineered for safety and quality. Alterations to the original product may compromise its structural integrity, increasing the risk of failure and injury. Any modifications will void all warranties, and Teamson assumes no liability for modified products or resulting damages. Teamson disclaims any other representations or implied warranties.
- For the safety and longevity of your product, follow all provided guidelines and instructions carefully.
- Please retain these instructions and your receipt for future reference. Keep them in a safe place where they can be easily accessed as needed. To ensure the most efficient service, it is required to provide the part numbers when ordering replacement parts.

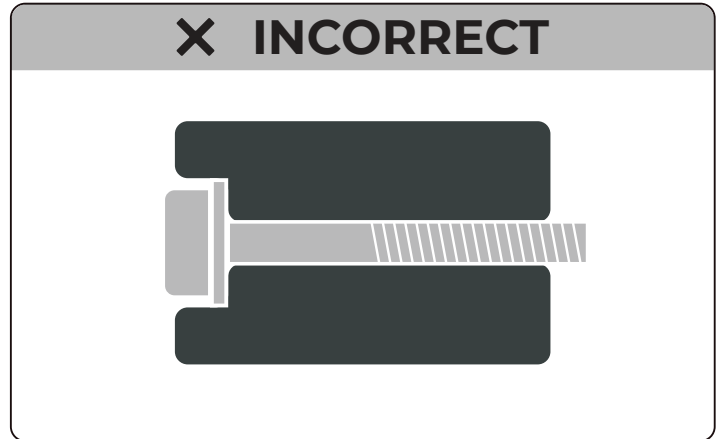
## Assembly Tips

### ⚠ Protrusion Hazard

Ensure bolts do not protrude beyond the T-Nut as this can create a hazard. Refer to the image for proper assembly:



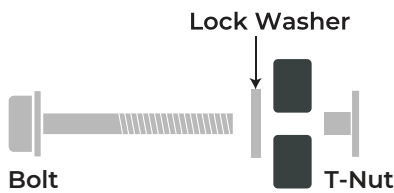
Bolt is flush with the T-Nut.



Bolt extends beyond the T-Nut, causing a potential hazard.

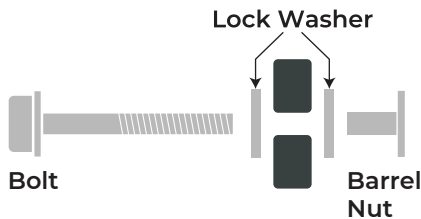
## HARDWARE ASSEMBLY GUIDE

### Bolt with T-Nut Assembly



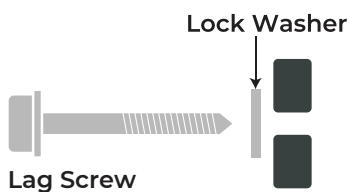
1. Insert the T-Nut into the designated hole.
2. Place a lock washer on the bolt, then insert the bolt into the hole opposite the T-Nut.
3. Turn the bolt clockwise to engage with the T-Nut. **Do not fully tighten the bolt yet;** complete tightening will be done later.

### Bolt with Barrel Nut Assembly



1. Insert the barrel nut with a lock washer through the provided hole.
2. Place a second lock washer on the bolt, and insert it into the opposite side of the hole, threading it into the barrel nut.
3. Turn the bolt clockwise to secure it to the barrel nut. **Do not fully tighten the bolt yet;** final tightening will be done in later steps.

### Lag Screw Assembly



1. If a pilot hole is provided, align the lag screw with it. If no pilot hole exists:
  - Position the two pieces of wood as they will be joined.
  - Use the factory-drilled hole as a guide to drill a new pilot hole into the adjoining wood.
2. Place a lock washer on the lag screw and insert it into the pilot hole.
3. Tighten the lag screw to secure the pieces, ensuring the wood does not split. **Note: Only a lock washer is required when using lag screws.**

# Recommended Maintenance and Care Instructions

## At the beginning of each play season:

1. Tighten all hardware.
2. Lubricate all metallic moving parts as instructed by the manufacturer.
3. Inspect and replace any loose, cracked, or missing protective coverings on bolts, pipes, edges, and corners.
4. Check swing seats, ropes, cables, and chains for wear, rust, or damage. Replace as needed.
5. Sand and repaint rusty metal parts with non-lead-based paint (16 CFR 1303 compliant).
6. Inspect wood for deterioration or splinters. Sand splinters and replace damaged wood.
7. Reinstall any plastic parts removed during the cold season.
8. Rake and check loose-fill protective surfacing for proper depth. Replenish if needed.

## Twice a month during play season:

1. Tighten all hardware.
2. Inspect protective coverings on bolts, pipes, edges, and corners. Replace if loose, cracked, or missing.
3. Rake and check the depth of loose-fill protective surfacing to prevent compaction and maintain proper depth. Replenish if necessary.

## Once a month during play season:

1. Lubricate all metallic moving parts according to the manufacturer's instructions.
2. Inspect all moving parts, including swing seats, ropes, cables, and chains, for wear, rust, or deterioration. Replace as needed.

## At the end of each play season or when the temperature drops below 32°F/0°C:

1. Remove plastic swing seats and other specified items. Store them indoors or discontinue use.
2. Rake and check the depth of loose-fill protective surfacing to prevent compaction and maintain proper depth. Replenish if necessary.

## Disposal Instructions

- **Safe Disassembly:** When the playground equipment is no longer safe for use, carefully disassemble it, removing all fasteners and sharp or protruding parts to prevent hazards.
- **Check Local Regulations:** Many areas have specific guidelines for disposing of large structures. Contact your local waste management authority for disposal or recycling options.
- **Environmentally Friendly Disposal:** Recycle metal and plastic components whenever possible. Wood parts may be recycled or repurposed if untreated, but follow local guidelines for safe disposal if they contain chemicals.
- **Hazard Prevention:** Ensure that dismantled parts are disposed of in a way that does not pose hazards to others, particularly sharp metal, splintered wood, or small parts that could be choking hazards.

## Third-Party Assembly

- **Choosing a Third Party:** If you opt to hire a third party for assembly or repair, ensure they are reputable and follow the manufacturer's guidelines.
- **Responsibility Disclaimer:** The manufacturer is not responsible for any damage, injury, or loss caused by improper assembly or modifications made by a third party. Refer to the warranty for specific coverage details.
- **Installation of Ropes and Nets:** For safety, follow specific instructions regarding rope or net installation. This includes adhering to the minimum length, proper attachment points, and secure positioning.
- **Guidelines for Modifications:** If any modifications are needed, they should be done according to the manufacturer's specifications to maintain safety and compliance with warranty terms.

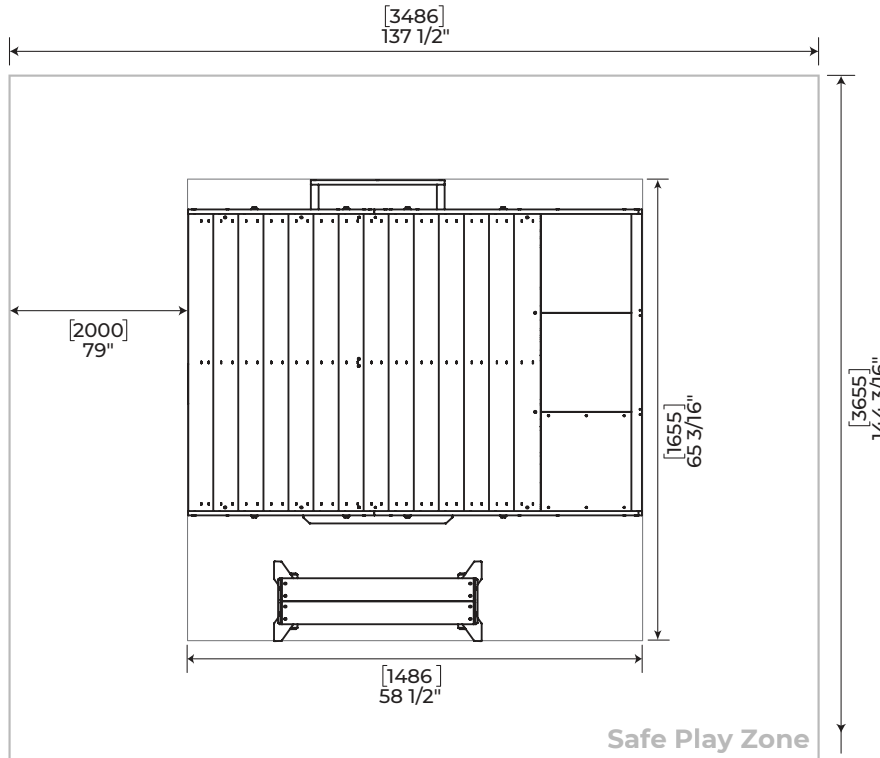
# Safe Play Area and Usage Guidelines

## Ground Dimension

58 1/2" [1486 mm] x 65 3/16" [1655 mm]

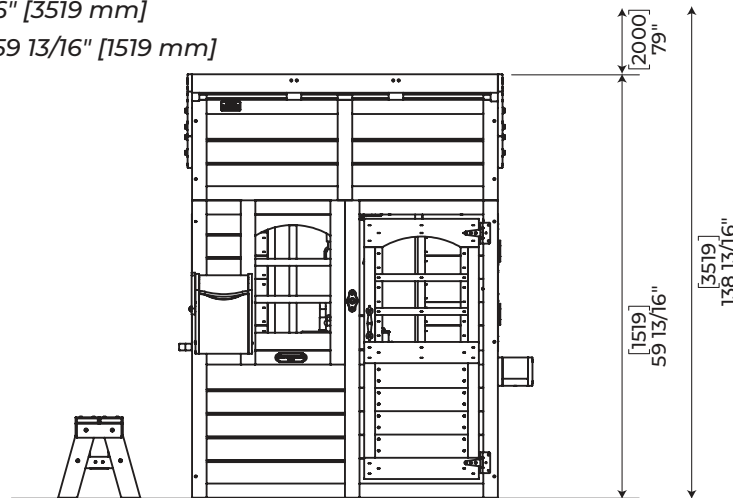
## Safe Play Area

137 1/2" [3486 mm] x 144 3/16" [3655 mm] x 138 13/16" [3519 mm]



**Safe Play Height** 138 13/16" [3519 mm]

**Maximum Fall Height** 59 13/16" [1519 mm]



### General Information:

- **Intended Use:** This playset is designed exclusively for children's residential use. It is not suitable for commercial or public playgrounds.
- **Weight Limits:**
  - Individual Play Activities: Maximum weight per child: 150 lbs (68 kg).
  - Group Play Activities: Maximum weight per child: 120 lbs (54 kg).
- **Capacity:** This playset is designed to accommodate up to 9 children simultaneously.

### Safety Guidelines:

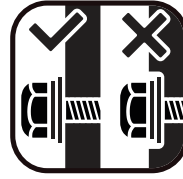
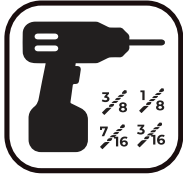
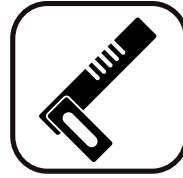
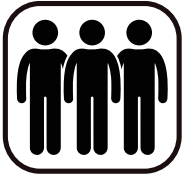
- **Supervision:** Always supervise children during play to ensure safe use of the equipment.
- **Age Recommendations:** This playset is suitable for children aged 3 to 10 years.
- **Installation Surface:** Install the playset on level

ground with appropriate safety surfacing, such as mulch or rubber mats, to cushion falls.

- **Regular Maintenance:** Conduct routine inspections to check for wear, damage, or loose components. Replace or repair parts as necessary to maintain safety standards.
- **Proper Use:** Ensure children use the equipment as intended. For example, slides should be used feet-first, and swings should not be twisted or swung empty.
- **Clothing:** Children should wear appropriate clothing—avoid loose garments, hoodies with drawstrings, or accessories that could get caught in the equipment.
- **Weather Conditions:** Do not use the playset during adverse weather conditions, such as rain, snow, or high winds, to prevent accidents.



## Required Tools



### Assembly Helper Required

Some steps will require two or three people for safe and proper assembly. Ensure you have a helper available.



### Ensure the Structure is Level

Use a level tool to verify that the structure is even and balanced before moving to the next step.



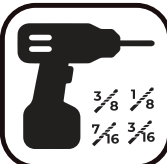
### Check for Proper Alignment

Ensure your assembly is square and properly aligned before tightening the bolts.



### Use an Open-End Wrench

This icon means you will need a 1/2" open-end wrench to tighten or adjust bolts.



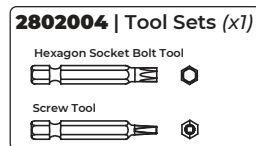
### Pick the Right Drill Bit

This icon shows the size of the twist drill bit you need to pre-drill holes. Always match the drill bit size to the specific requirement of the assembly step to ensure proper fit and avoid damaging the materials.



### Grab Your Electric Drill

This icon indicates the need for an electric drill to use with the drill bits in attached tool set.



### Use the Right Socket

This icon means you will need a 1/2" socket to tighten or adjust bolts.



### Do Not Over-Tighten Bolts

This icon warns against over-tightening bolts, as it can cause structural damage or split the wood.

# Wood Parts (Not actual size)

**0058** Roof Side A - 3660058

(x2) - 5/8" x 2 1/2" x 34 5/8"



**0059** Joint Bar Short - 3570059

(x4) - 1" x 1" x 4"



**0060** Back Roof - 3660060

(x1) - 15/16" x 2" x 42"



**0061** Roof Front - 3660061

(x1) - 15/16" x 2 1/2" x 42"



**0062** Roof Bracing A - 3660062

(x2) - 3/4" x 2" x 13 1/8"



**0063** Roof Bracing B - 3660063

(x2) - 1" x 1" x 11 13/16"



**0064** Roof Side B - 3660064

(x2) - 5/8" x 2 1/2" x 24 7/16"



**0065** Cafe Table Top B - 3660065

(x1) - 15/16" x 4 1/2" x 21 1/4"



**0066** Cafe Table Top A - 3660066

(x1) - 15/16" x 4 1/2" x 19 1/4"



**0067** Joint Bar - 3570067

(x3) - 1" x 1" x 15 3/4"



**0068** Bench Top - 3990068

(x2) - 15/16" x 3 1/4" x 25 1/8"



**0069** Bench Leg A - 3990069

(x2) - 1" x 2 1/2" x 11 13/16"



**0070** Bench Top Support - 3990070

(x2) - 1 1/4" x 1 1/4" x 6 1/2"



# Wood Parts (Not actual size)

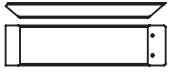
**0071 Bench Cross Brace B - 3990071**

(x2) - 5/8" x 1 1/2" x 7 7/8"



**0072 Bench Cross Brace A - 3990072**

(x2) - 15/16" x 2" x 7 7/8"



**0073 Bench Leg B - 3990073**

(x2) - 1" x 2 1/2" x 11 13/16"



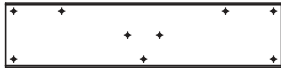
**0074 Flower Box Front - 3570074**

(x1) - 5/8" x 4" x 17 1/4"



**0075 Flower Box Back - 3570075**

(x1) - 5/8" x 4" x 17 1/4"



**0076 Flower Box Side - 3570076**

(x2) - 1" x 3" x 3 1/2"



**0077 Flower Box Bottom - 3570077**

(x1) - 1" x 3 1/2" x 17 1/4"



**0078 Window Stop - 3570078**

(x1) - 1" x 2 1/2" x 7 7/8"



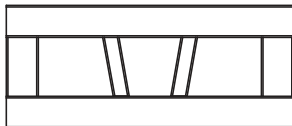
**0079 Door Stop - 3570079**

(x1) - 1" x 2 1/2" x 5"



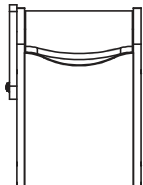
**021 Sash Window - 37660021**

(x2) - 1" x 17 7/8" x 7 11/16"



**022 letter Box - 37660022**

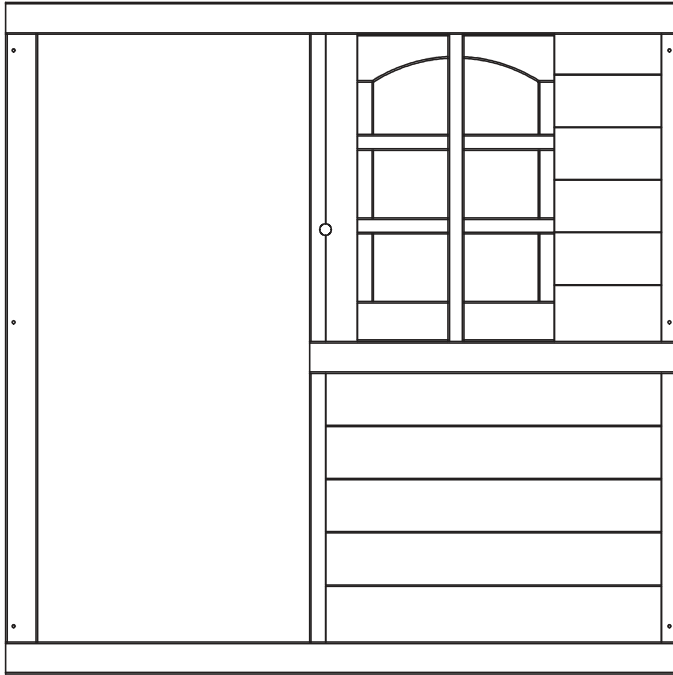
(x1) - 3 3/4" x 8 9/16" x 11 7/16"



# Wood Parts (Not actual size)

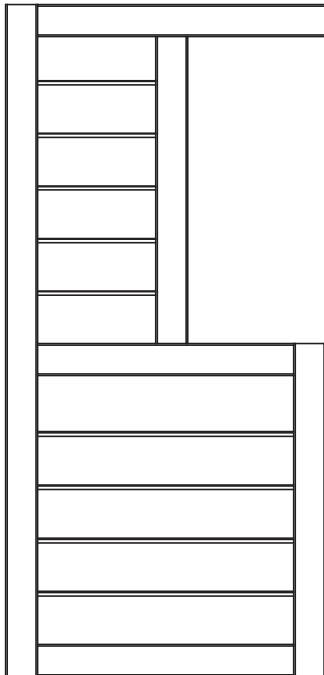
**010** Front Wall Panel - 37570010

(x1) - 1" x 42" x 42"



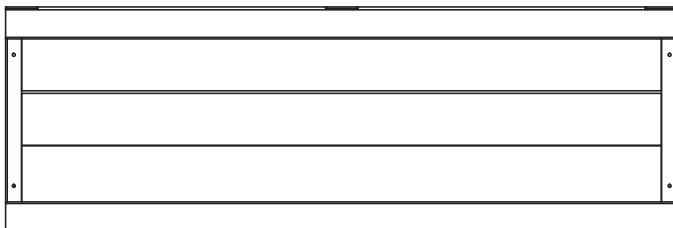
**011** Bay Panel Left - 37570011

(x2) - 1" x 20" x 42"



**016** Roof Front Wall - 37570016

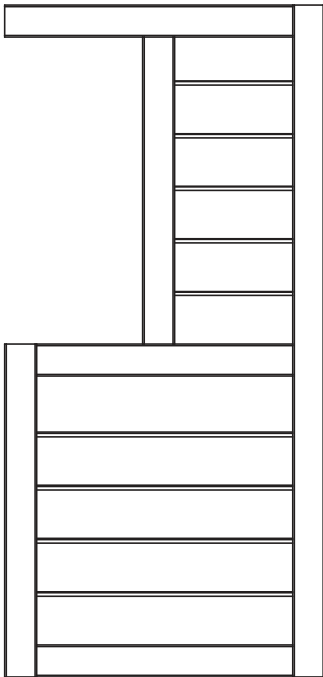
(x1) - 1" x 42" x 14 3/16"



# Wood Parts (Not actual size)

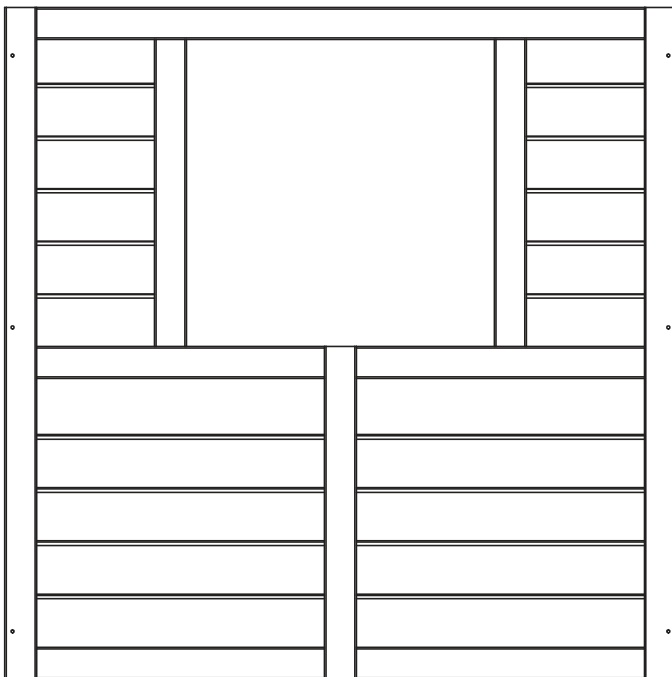
**012 Bay Panel Right - 37570012**

(x2) - 1" x 20" x 42"



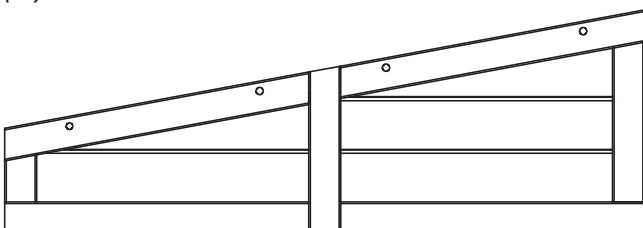
**013 Back Wall Panel - 37570013**

(x1) - 1" x 42" x 42"



**014 Roof Side Wall Left - 37570014**

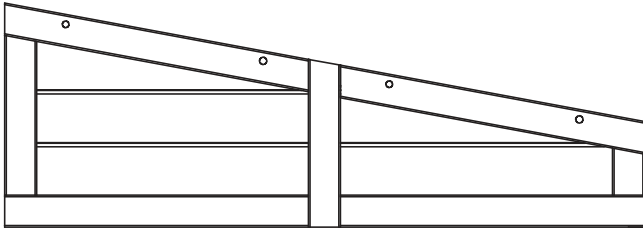
(x1) - 1" x 40" x 14"



# Wood Parts (Not actual size)

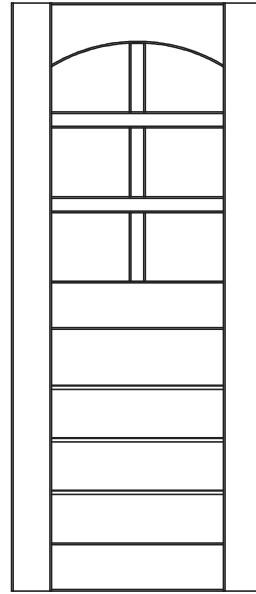
**015** Roof Side Wall Right - 37570015

(x1) - 1" x 40" x 14"



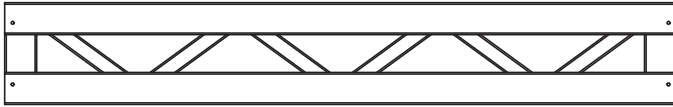
**020** Door - 37660020

(x1) - 1" x 15 3/4" x 36 3/4"



**017** Roof Back Wall - 37660017

(x1) - 1" x 42" x 6 3/8"



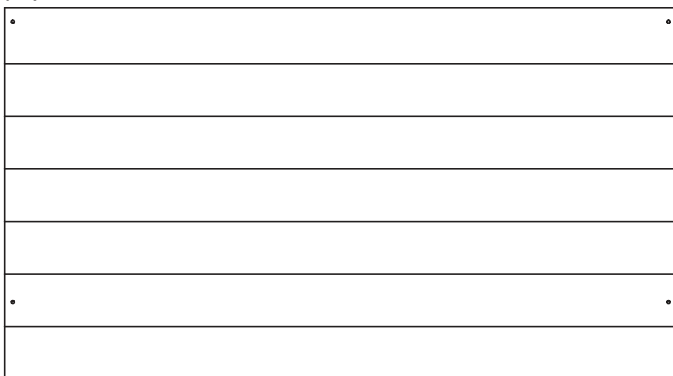
**018** Roof Panel A - 37990018

(x1) - 1 1/4" x 42" x 23 1/4"



**019** Roof Panel B - 37990019

(x1) - 1 1/4" x 42" x 23 1/4"



# Hardware (Actual Size)

**S0 Truss Head Screw**  
(x89) - #8 x 7/8"



**S2 Wood Screw**  
(x56) - #8 x 1 1/2"



**S3 Wood Screw**  
(x34) - #8 x 2-1/2"



**S4 Wood Screw**  
(x13) - #8 x 3"



**S11 Wood Screw**  
(x16) - #8 x 2"



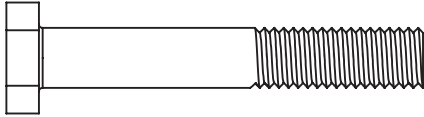
**S15 Wood Screw**  
(x8) - #8 x 1-3/4"



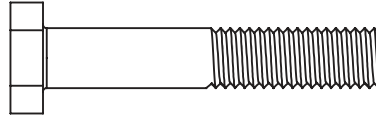
**S20 Wood Screw**  
(x12) - #8 x 1-3/8"



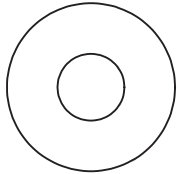
**G8 Hex Bolt**  
(x8) - 5/16" x 2"



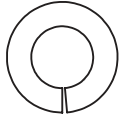
**G27 Hex Bolt**  
(x8) - 5/16" x 1-3/4"



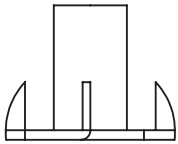
**FW2 Washer Flat**  
(x16) - 5/16"



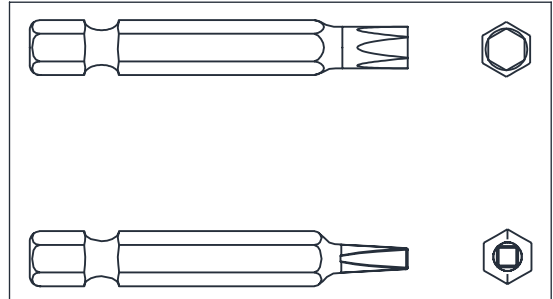
**LW2 Washer Lock**  
(x16) - 5/16"



**TN2 Tee-Nut**  
(x16) - 5/16"



**2802004**  
Tool Sets(x1)



# Accessory Parts (Not actual size)

**2000001**

Teamson Playhouse Plaque(x1)



**2060024**

Wave Magnetic Catch (x3)



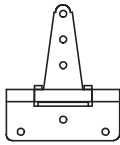
**2002025**

Steel Plate (x3)



**2060022**

Swing Hinge (x6)



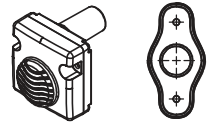
**2060023**

Door Handle (x2)



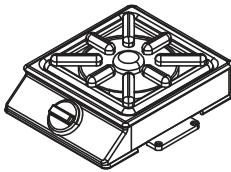
**2109017**

Door Bell (x1)



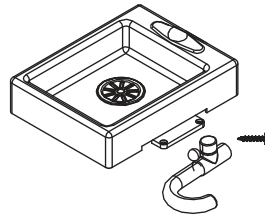
**2109001**

Kitchen Stove (x1)



**2166002**

Kitchen Sink (x1)



**2160010**

Kitchen Ware Hook (x1)



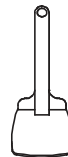
**2109003**

Kitchen Pan (x1)



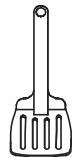
**2109004**

Kitchen Spatula (x1)



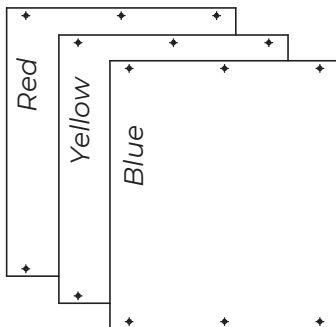
**2109005**

Kitchen Leak Shovel (x1)



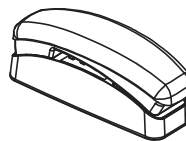
**2104031**

Color Transparent Plate (x1)



**2118013**

Phone (x1)



**2000030**

Playhouse ID Plaque (x1)





# Step 1

## Wood Parts

**011 Bay Panel Left**  
(x1) - 1" x 20" x 42"

**012 Bay Panel Right**  
(x1) - 1" x 20" x 42"

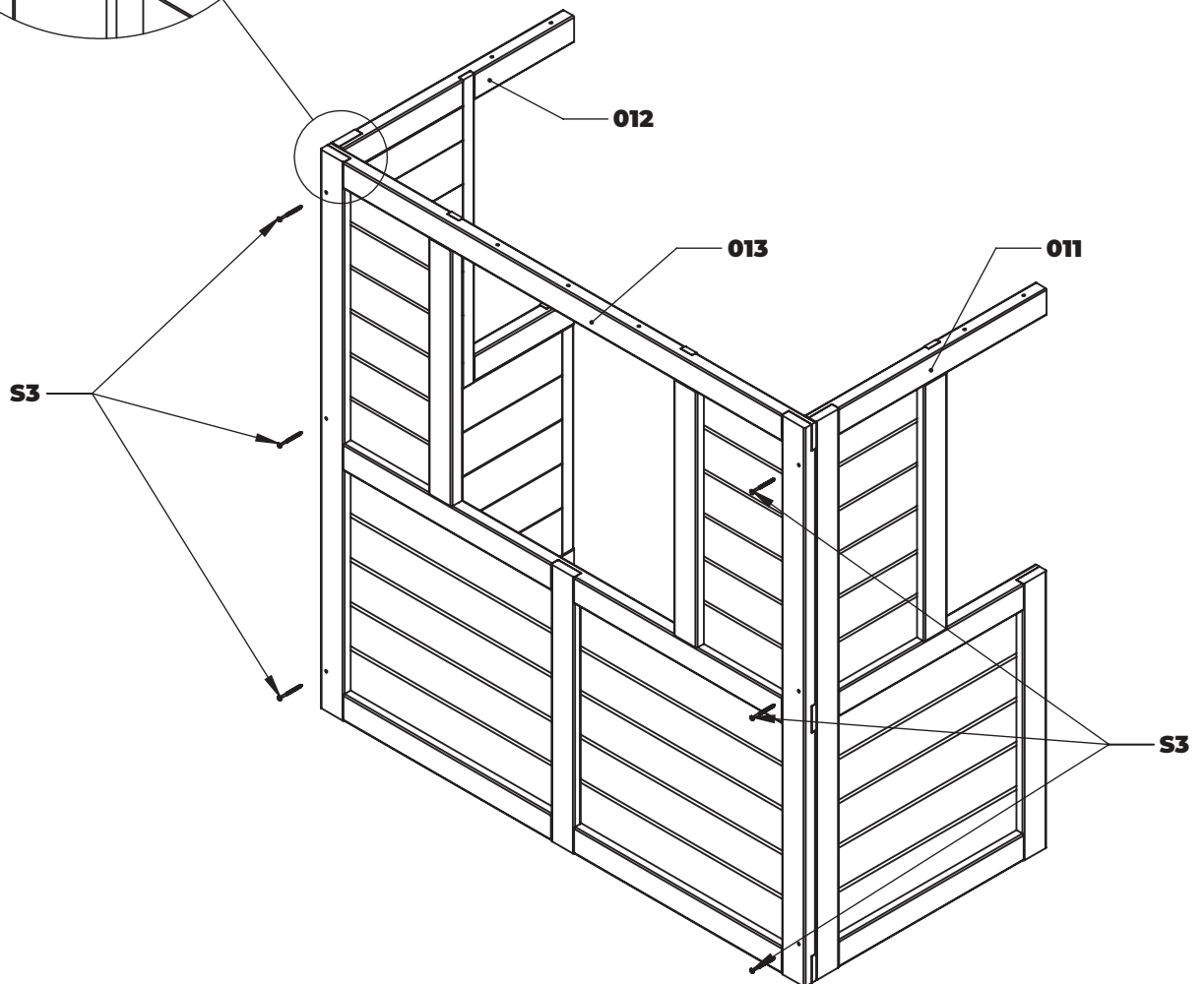
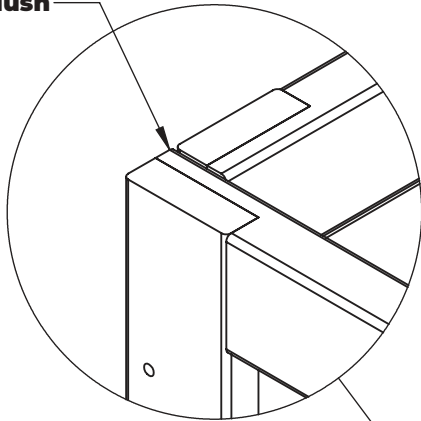
**013 Back Wall Panel**  
(x1) - 1" x 42" x 42"

## Hardware

**S3 Wood Screw**  
(x6) - #8 x 2-1/2"



Flush



## Step 2

### Wood Parts

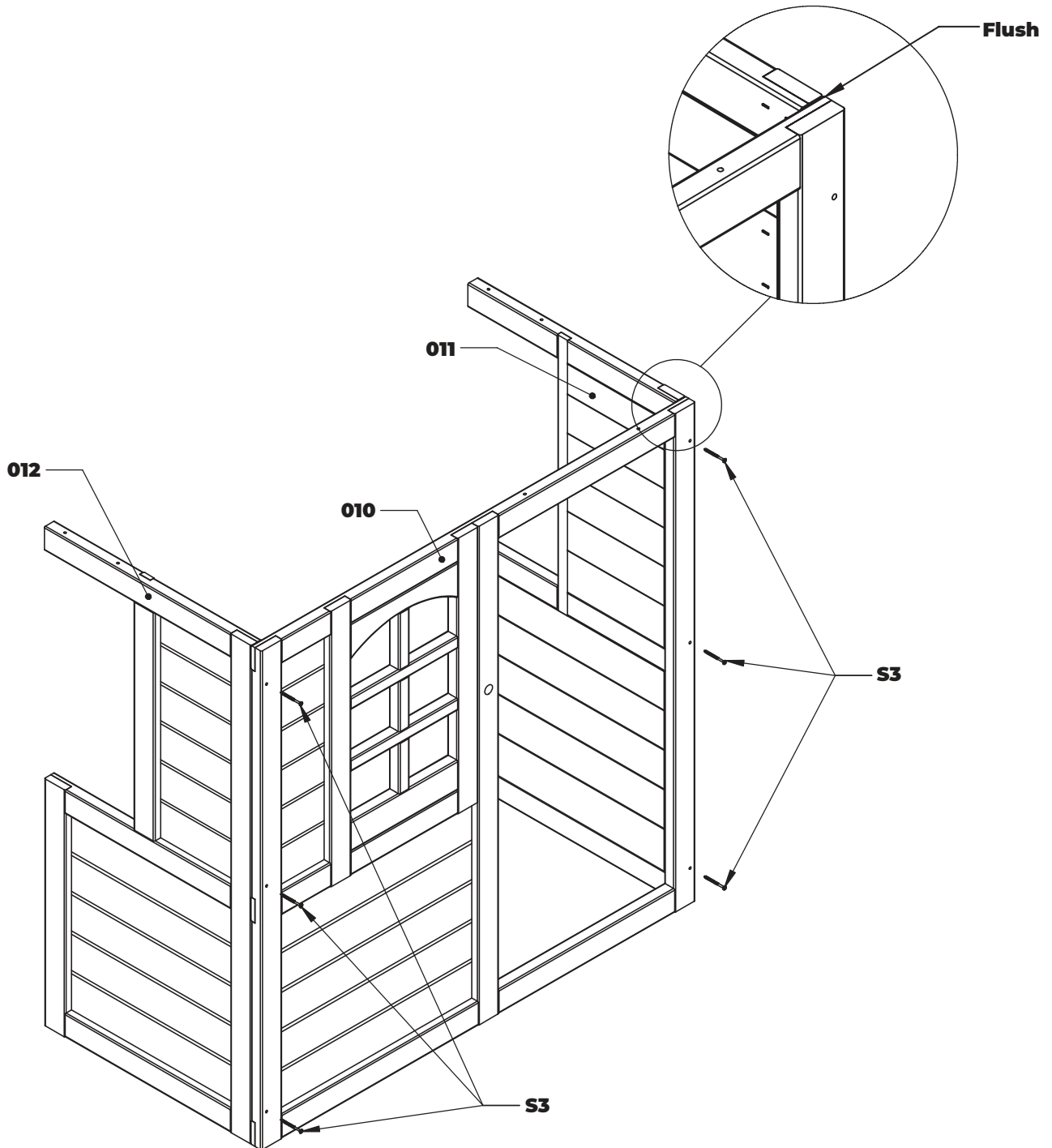
**010** Front Wall Panel  
(x1) - 1" x 42" x 42"

**011** Bay Panel Left  
(x2) - 1" x 20" x 42"

**012** Bay Panel Right  
(x2) - 1" x 20" x 42"

### Hardware

**S3** Wood Screw  
(x6) - #8 x 2-1/2"



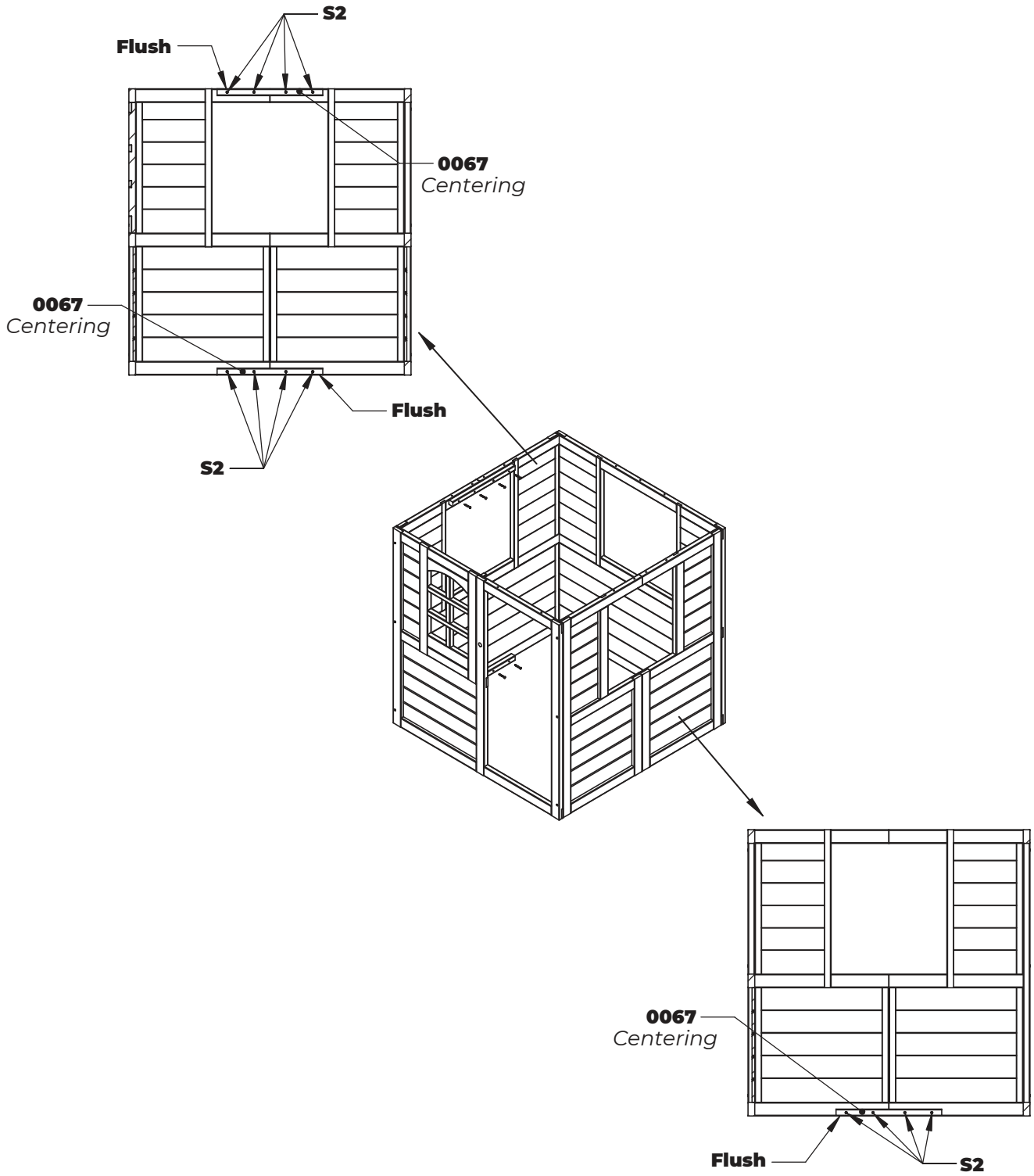
# Step 3

## Wood Parts

**0067 Joint Bar**  
(x3) - 1" x 1" x 15 3/4"

## Hardware

**S2 Wood Screw**  
(x12) - #8 x 1 1/2"



## Step 4

### Wood Parts

**0065** Cafe Table Top B  
(x1) - 15/16" x 4 1/2" x 21 1/4"

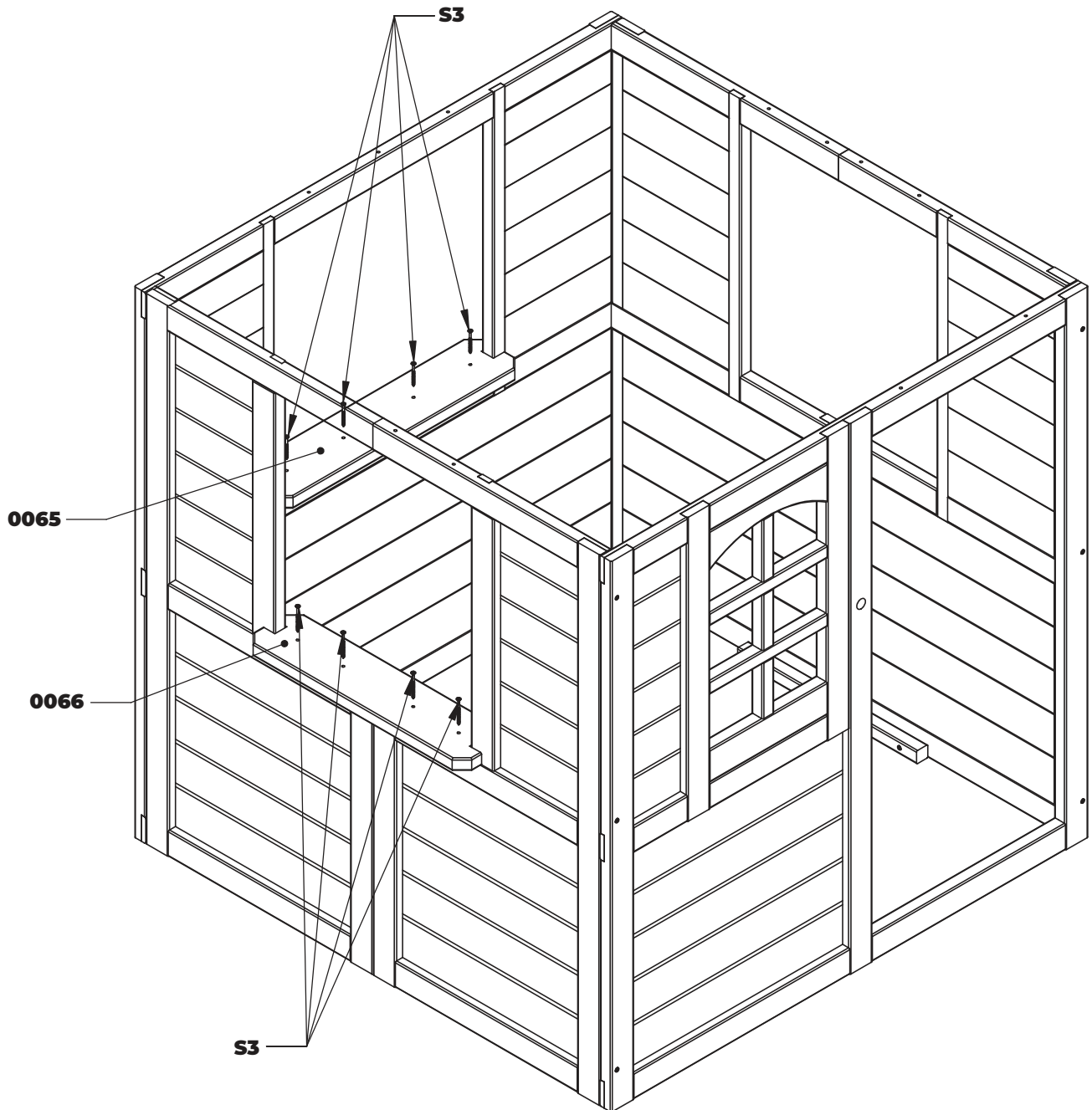
**0066** Cafe Table Top A  
(x1) - 15/16" x 4 1/2" x 19 1/4"

### Hardware

**S3** Wood Screw  
(x8) - #8 x 2-1/2"



Pre-drill each hole using a 1/8" drill bit.



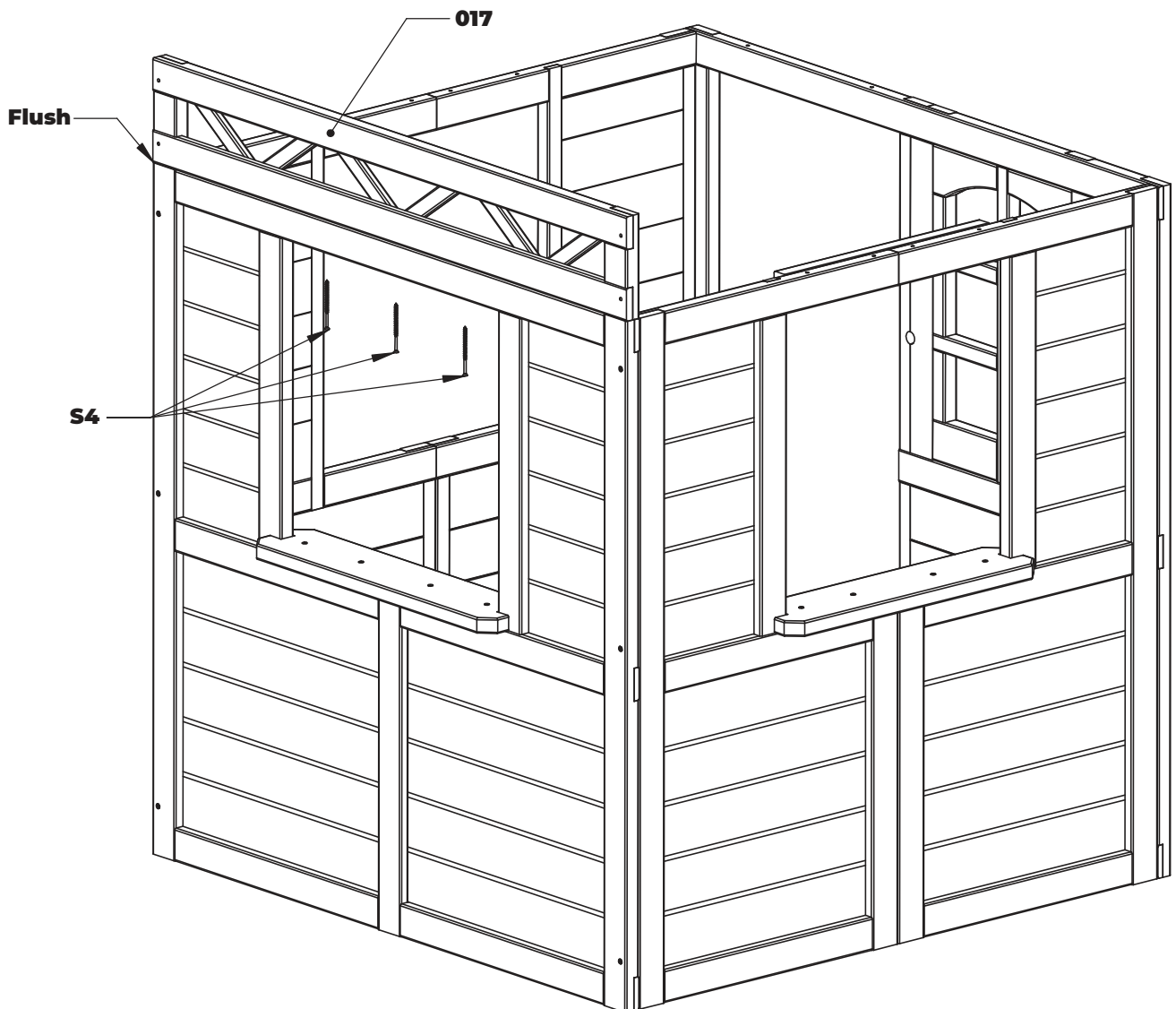
## Step 5

### Wood Parts

**017** Roof Back Wall  
(x1) - 1" x 42" x 6 3/8"

### Hardware

**S4** Wood Screw  
(x3) - #8 x 3"



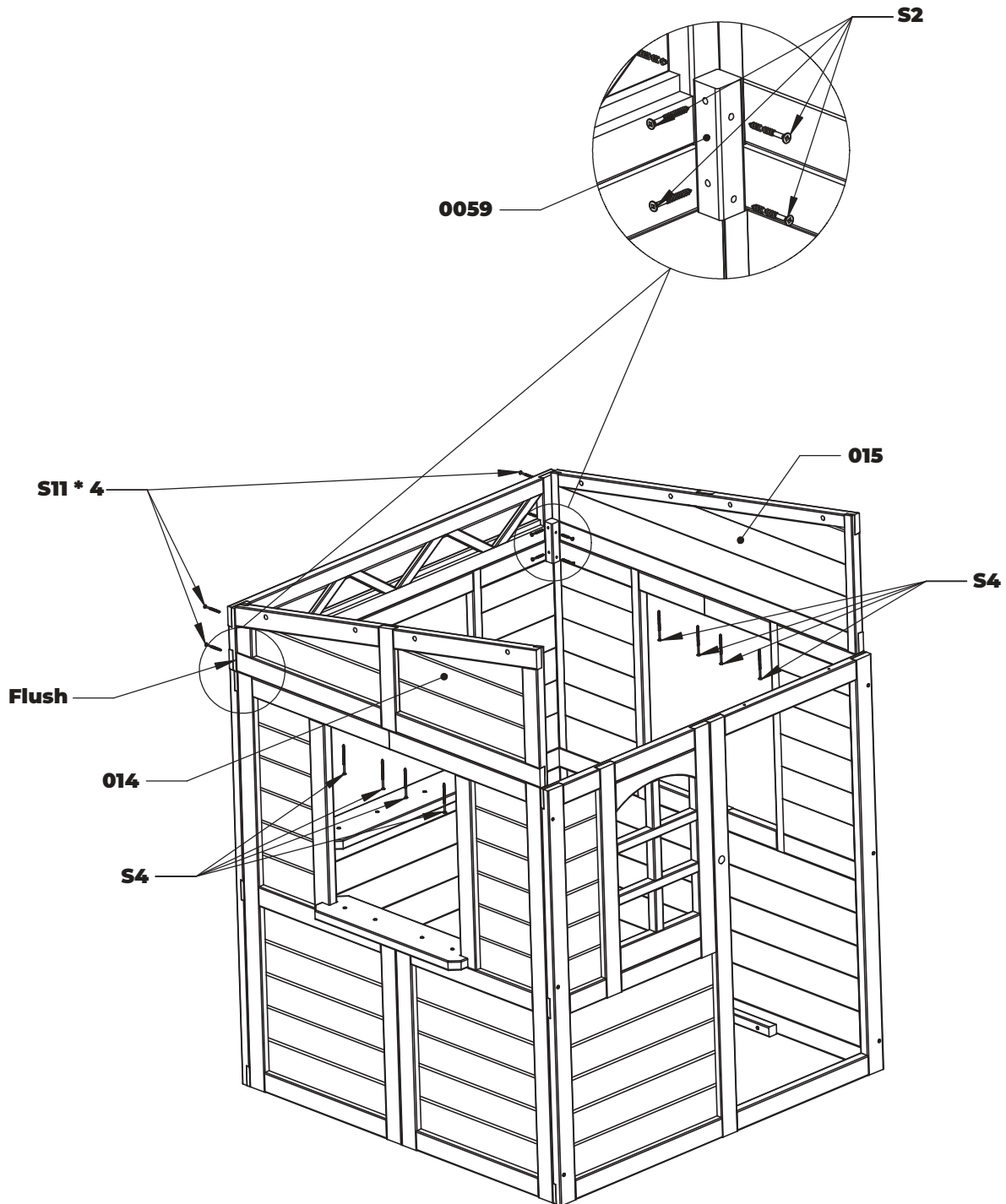
## Step 6

### Wood Parts

- 014** Roof Side Wall Left  
(x1) - 1" x 40" x 14"
- 015** Roof Side Wall Right  
(x1) - 1" x 40" x 14"
- 0059** Joint Bar Short  
(x2) - 1" x 7" x 4"

### Hardware

- S2** Wood Screw  
(x8) - #8 x 1 1/2"
- S4** Wood Screw  
(x8) - #8 x 3"
- S11** Wood Screw  
(x4) - #8 x 2"



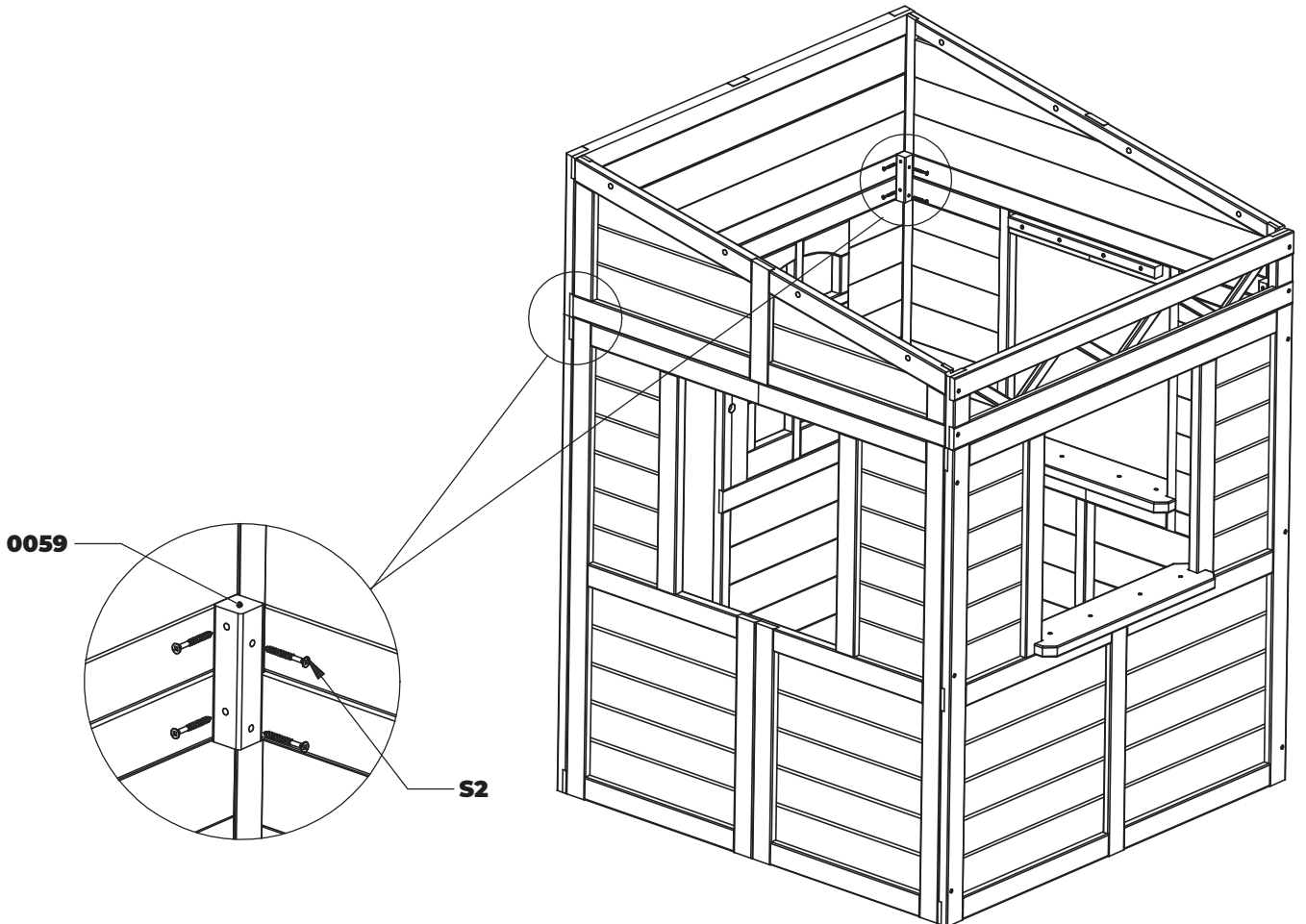
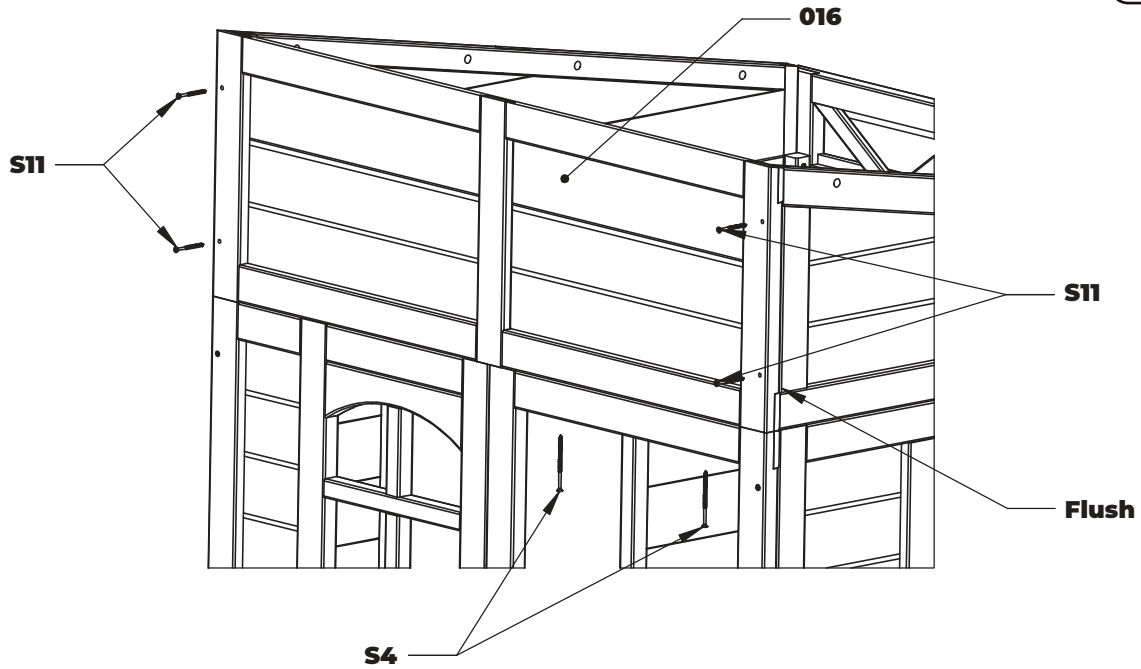
# Step 7

## Wood Parts

- 016** Roof Front Wall  
(x1) - 1" x 42" x 14 3/16"
- 0059** Joint Bar Short  
(x2) - 1" x 1" x 4"

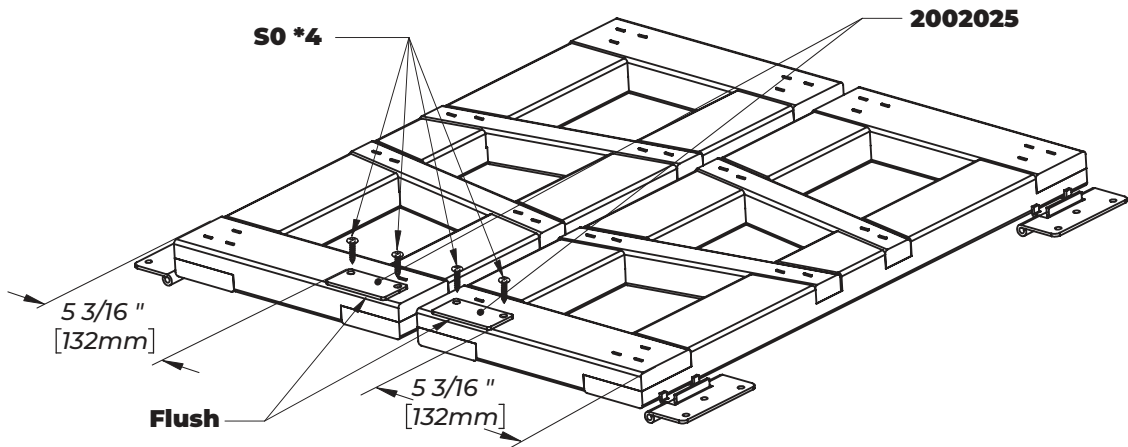
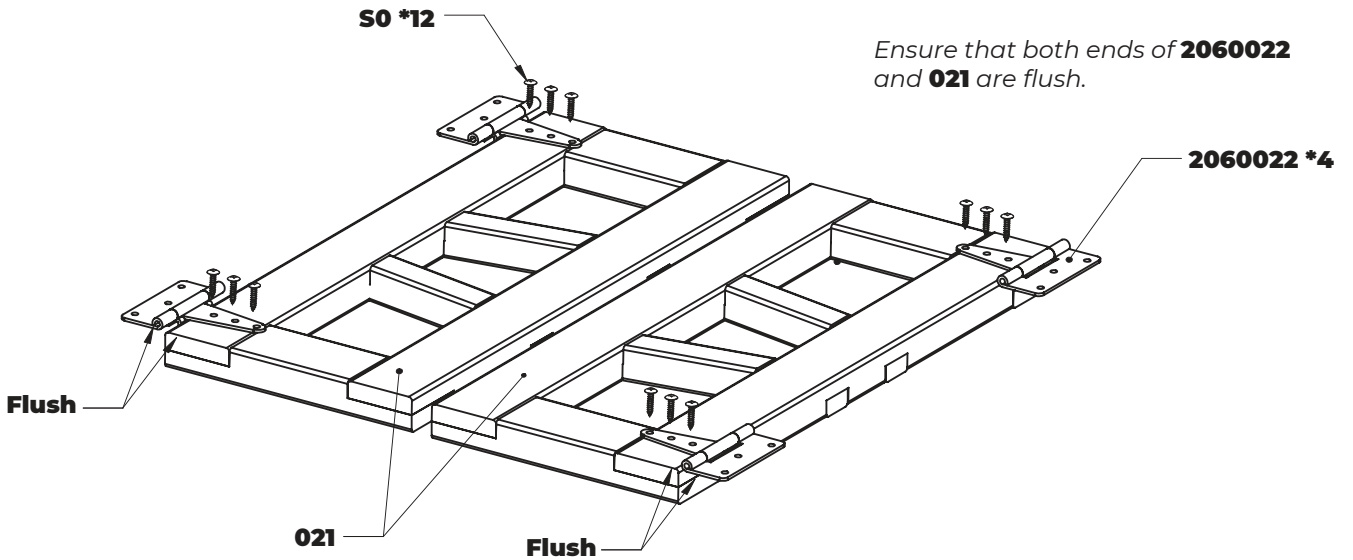
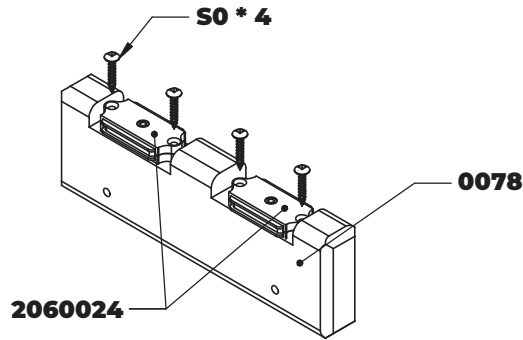
## Hardware

- S2** Wood Screw  
(x8) - #8 x 1 1/2"
- S4** Wood Screw  
(x2) - #8 x 3"
- S11** Wood Screw  
(x4) - #8 x 2"



# Step 8

Wood Parts	Hardware	Accessory
<p><b>021 Sash Window</b> (x2) - 1" x 17 7/8" x 7 11/16"</p> <p><b>0078 Window Stop</b> (x1) - 1" x 2 1/2" x 7 7/8"</p>	<p><b>S0 Truss Head Screw</b> (x20) - #8 x 7/8"</p>	<p><b>2060022</b> Swing Hinge (x4)</p> <p><b>2060024</b> Wave Magnetic Catch (x2)</p> <p><b>2002025</b> Steel Plate (x2)</p>

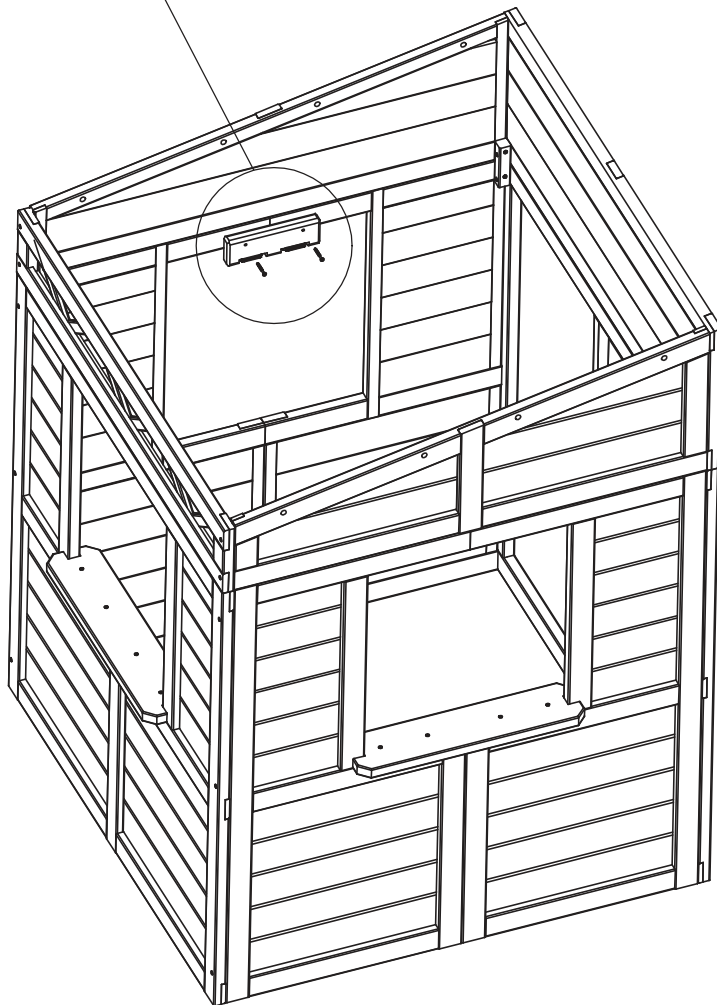
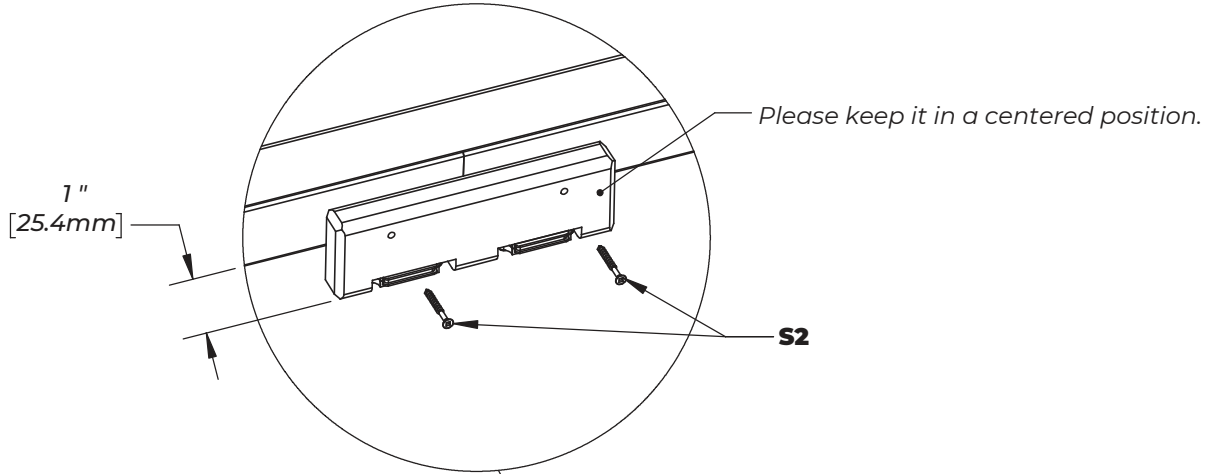




# Step 9

## Hardware

**S2 Wood Screw**  
(x2) - #8 x 1 1/2"



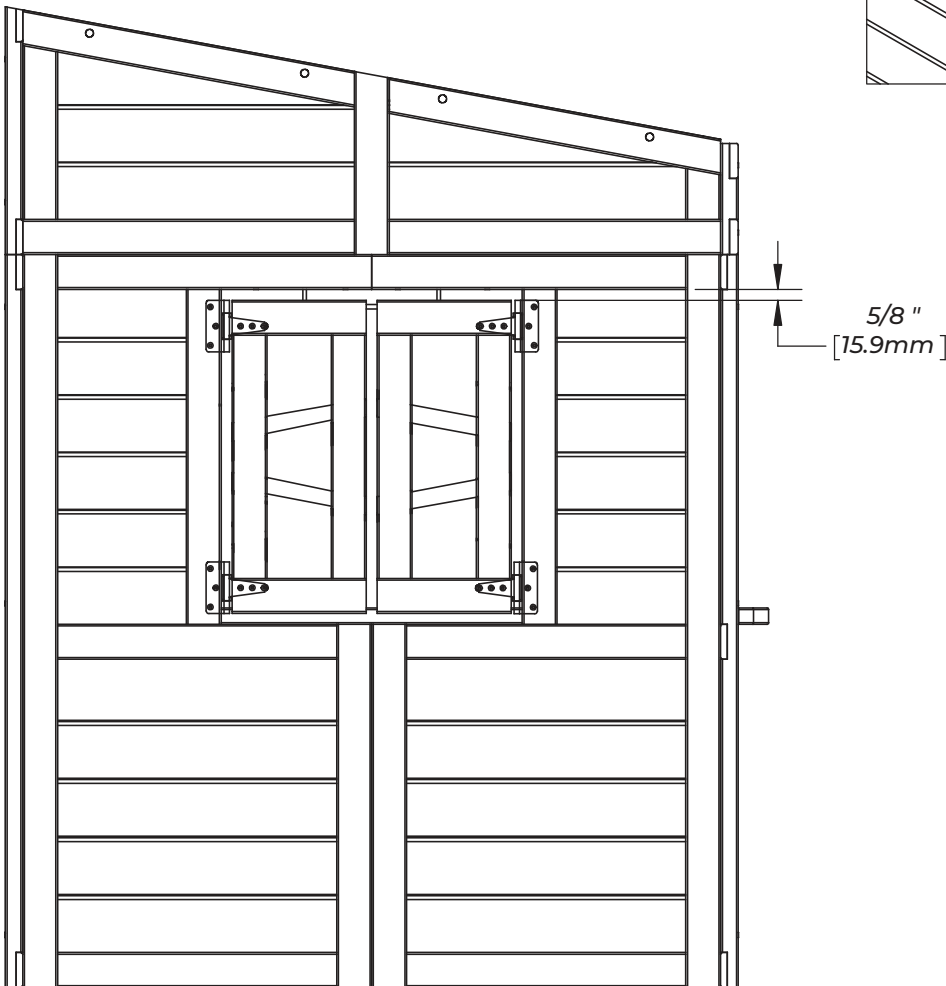
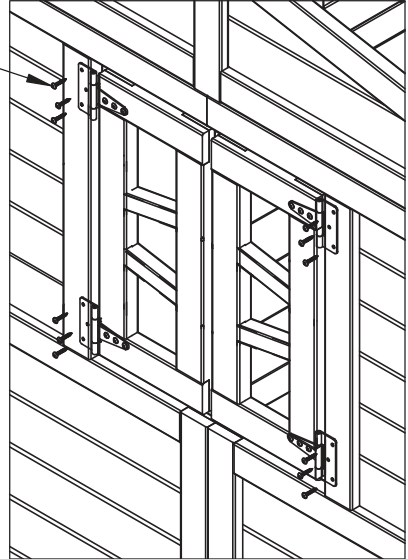
# Step 10

## Hardware

**S0 Truss Head Screw**  
(x12) - #8 x 7/8"



S0 \* 12



# Step 11

## Wood Parts

**018** Roof Panel A  
(x1) - 1 1/4" x 42" x 23 1/4"

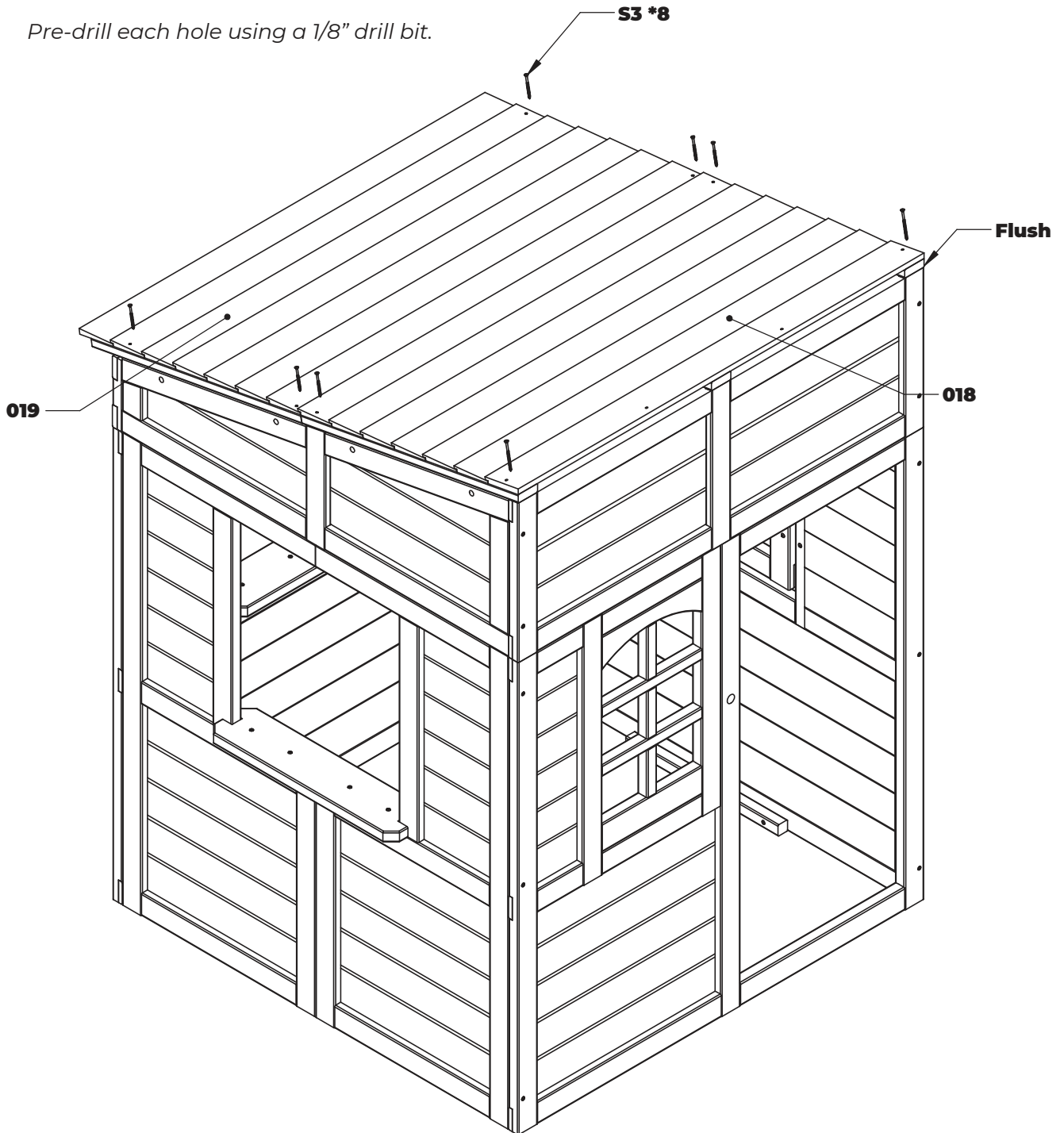
**019** Roof Panel B  
(x1) - 1 1/4" x 42" x 23 1/4"

## Hardware

**S3** Wood Screw  
(x8) - #8 x 2-1/2"



Pre-drill each hole using a 1/8" drill bit.



# Step 12

## Wood Parts

**0058** Roof Side A - 3420058  
(x2) - 5/8" x 2 1/2" x 34 5/8"

**0064** Roof Side B - 3420064  
(x2) - 5/8" x 2 1/2" x 24 7/16"

## Hardware

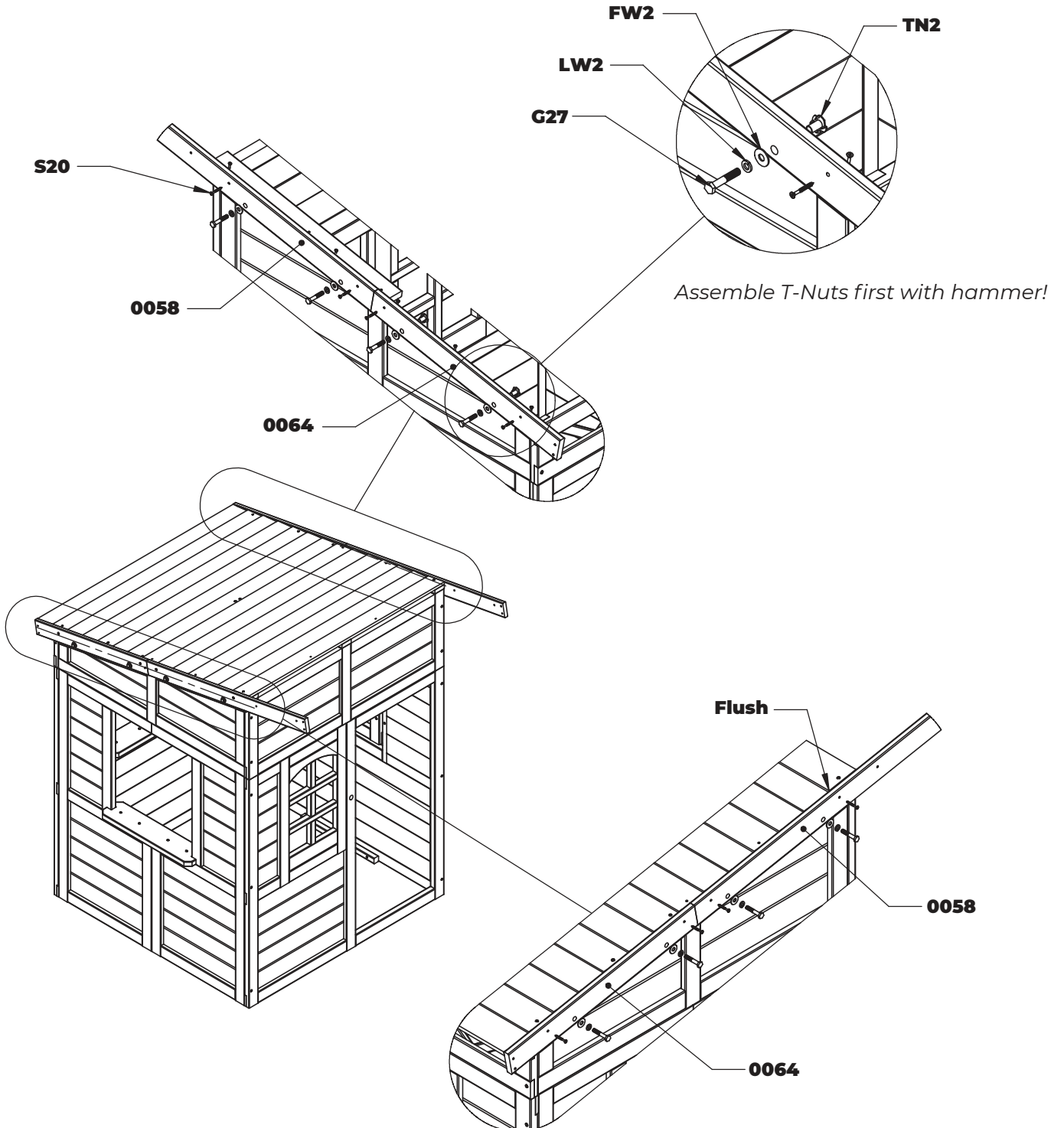
**S20** Wood Screw  
(x8) - #8 x 1-3/8"

**G27** Hex Bolt  
(x8) - 5/16" x 1-3/4"

**FW2** Washer Flat  
(x8) - 5/16"

**LW2** Washer Lock  
(x8) - 5/16"

**TN2** Tee-Nut  
(x8) - 5/16"



# Step 13

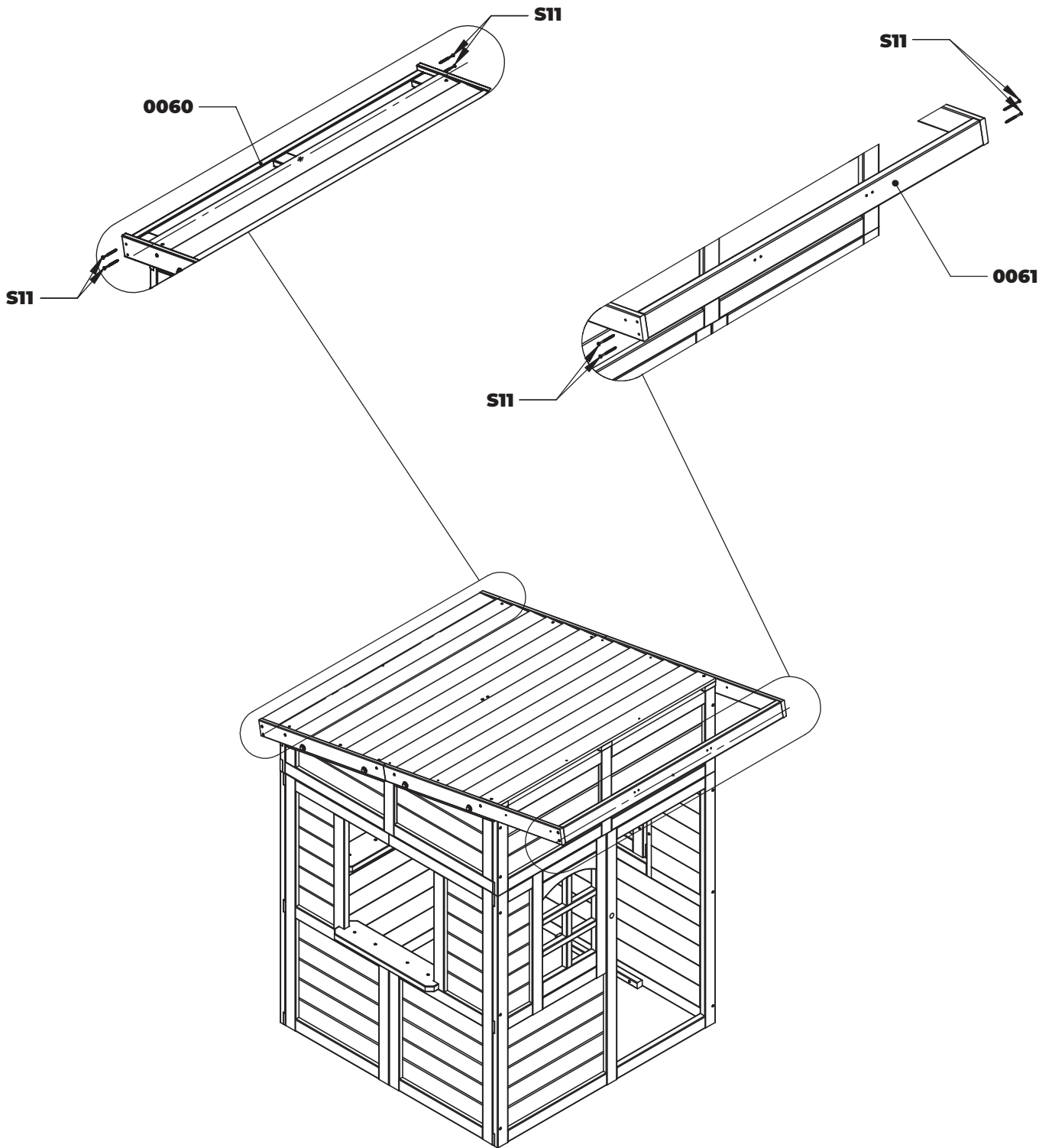
## Wood Parts

**0060** Back Roof  
(x1) - 15/16" x 2" x 42"

**0061** Roof Front  
(x1) - 15/16" x 2 1/2" x 42"

## Hardware

**S11** Wood Screw  
(x8) - #8 x 2"



# Step 14

## Wood Parts

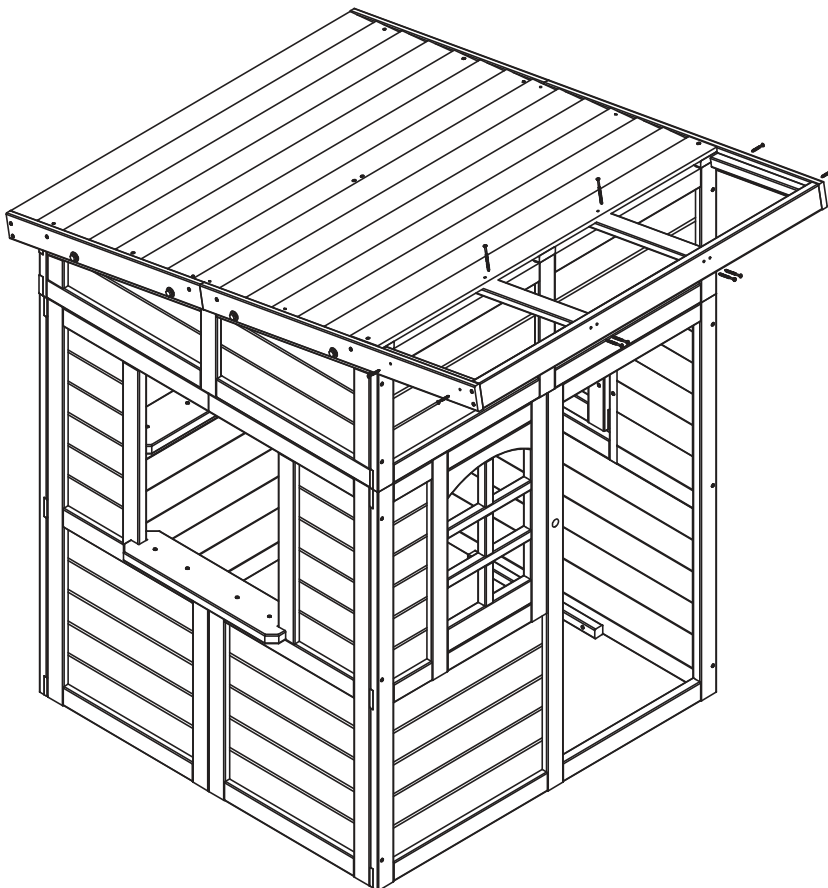
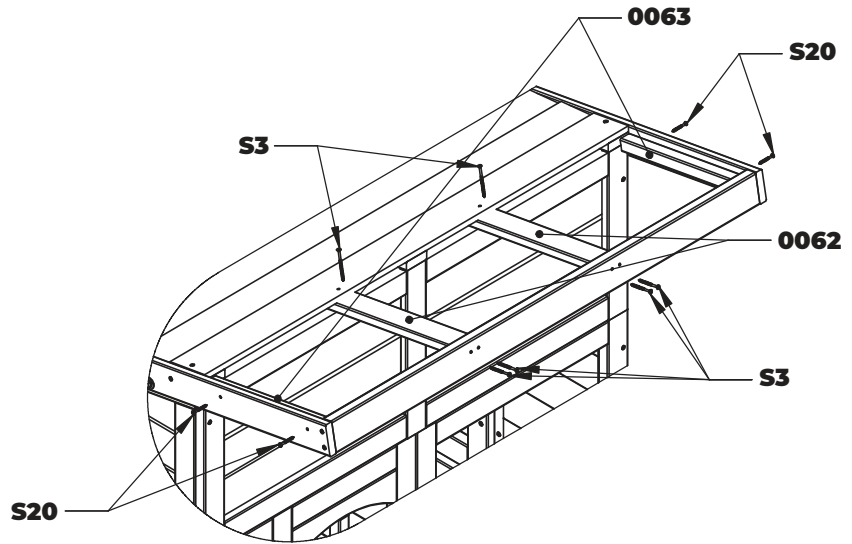
**0062** Roof Bracing A  
(x2) - 3/4" x 2" x 13 1/8"

**0063** Roof Bracing B  
(x2) - 1" x 1" x 11 13/16"

## Hardware

**S3** Wood Screw  
(x6) - #8 x 2-1/2"

**S20** Wood Screw  
(x4) - #8 x 1-3/8"



## Step 15

### Hardware

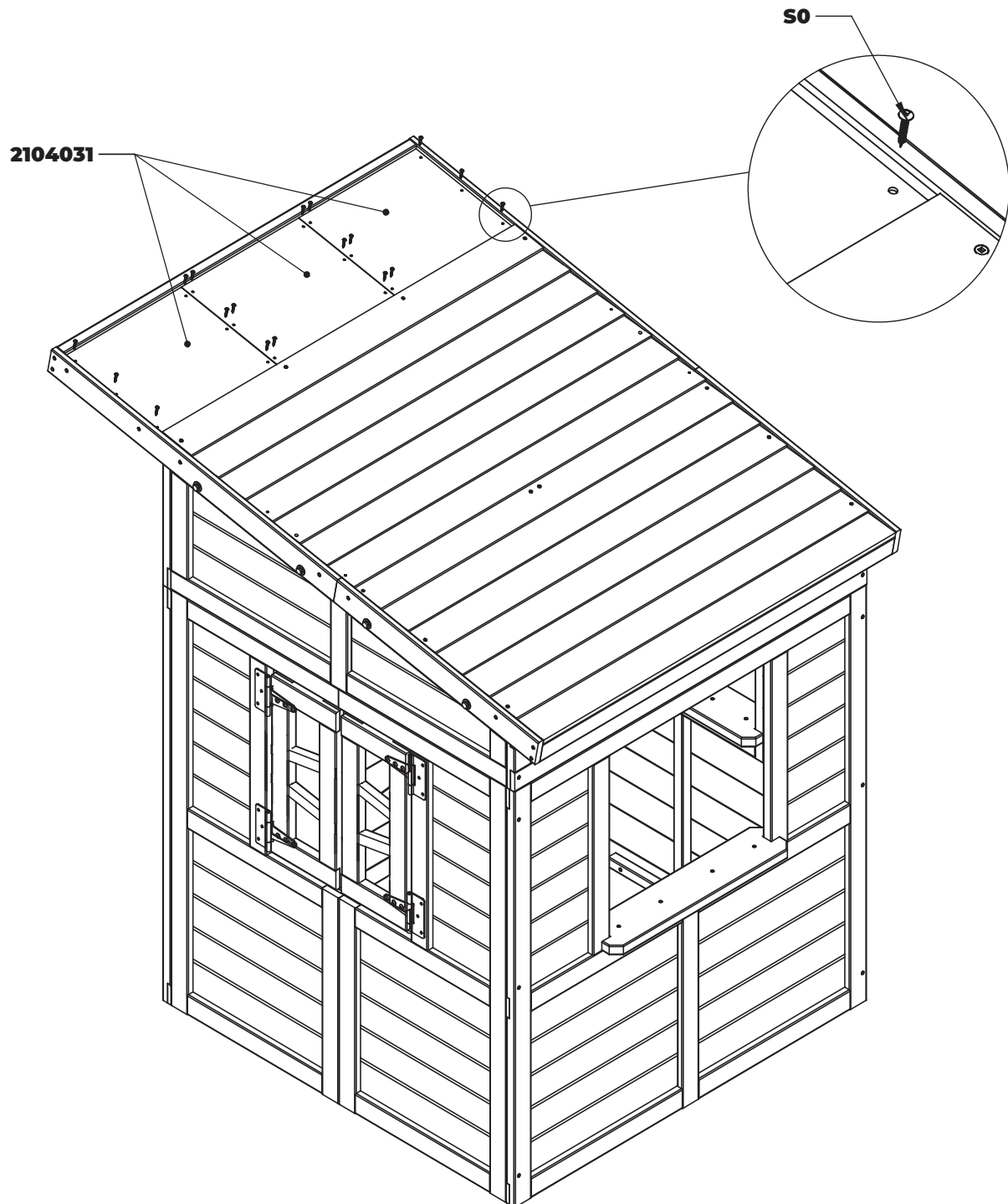
**S0** Truss Head Screw  
(x18) - #8 x 7/8"

### Accessory

**2104031**  
Color Transparent Plate (x1)

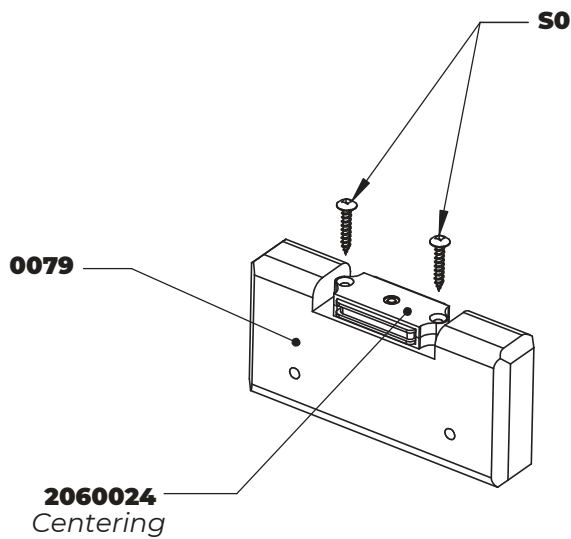


*Pre-drill each hole using a 1/8" drill bit.*

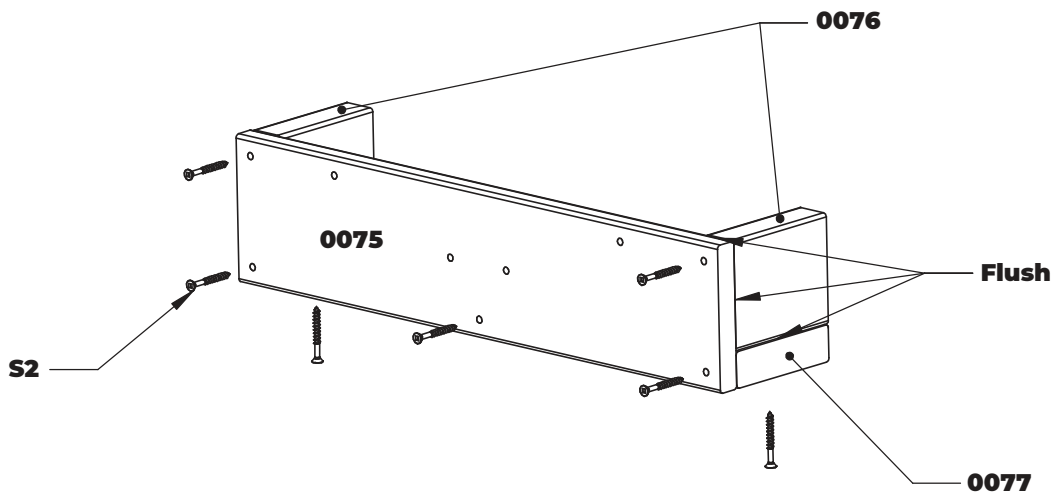


## Step 16

Wood Parts	Hardware	Accessory
<p><b>0075</b> Flower Box Back (x1) - 5/8" x 4" x 17 1/4"</p> <p><b>0076</b> Flower Box Side (x2) - 1" x 3" x 3 1/2"</p> <p><b>0077</b> Flower Box Bottom (x1) - 1" x 3 1/2" x 17 1/4"</p> <p><b>0079</b> Door Stop (x1) - 1" x 2 1/2" x 5"</p>	<p><b>S0</b> Truss Head Screw (x2) - #8 x 7/8"</p> <p><b>S2</b> Wood Screw (x7) - #8 x 1 1/2"</p>	<p><b>2060024</b> Wave Magnetic Catch (x1)</p>



Pre-drill each hole using a 1/8" drill bit.





# Step 17

## Wood Parts

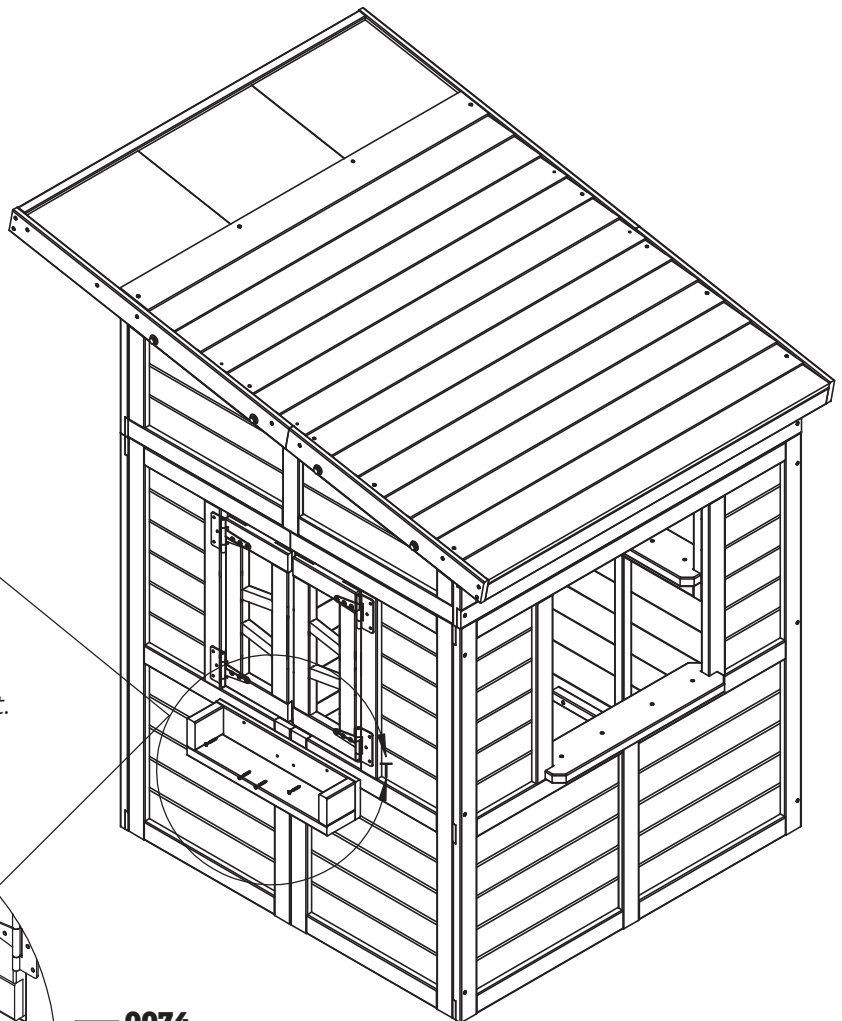
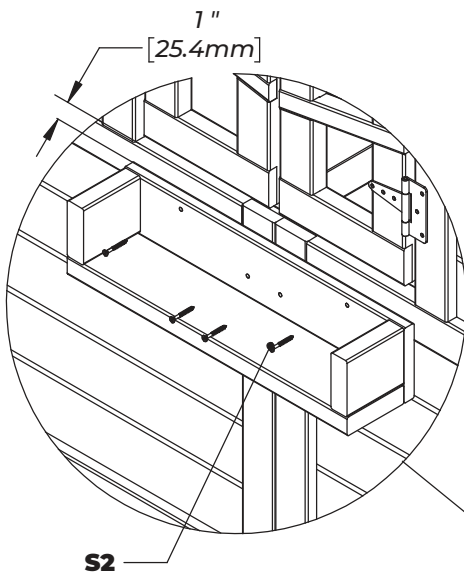
## Hardware

**0074 Flower Box Front**  
(x1) - 5/8" x 4" x 17 1/4"

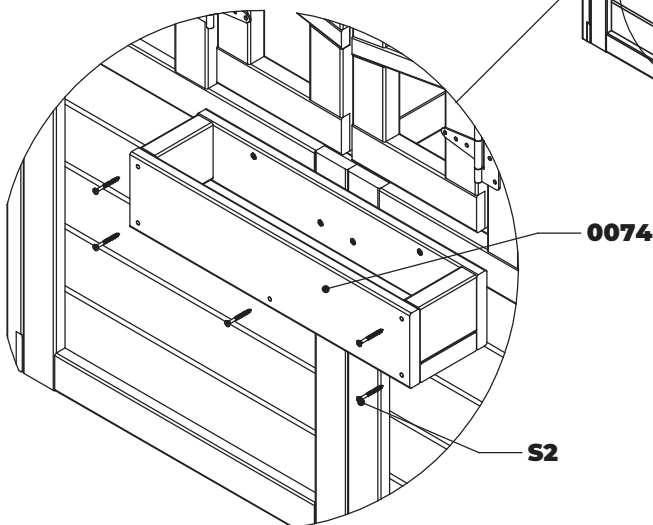
**S2 Wood Screw**  
(x9) - #8 x 1 1/2"



Install the pre-assembled flower box onto the main structure, positioned 1 inch below the window.



Pre-drill each hole using a 1/8" drill bit.



## Step 18

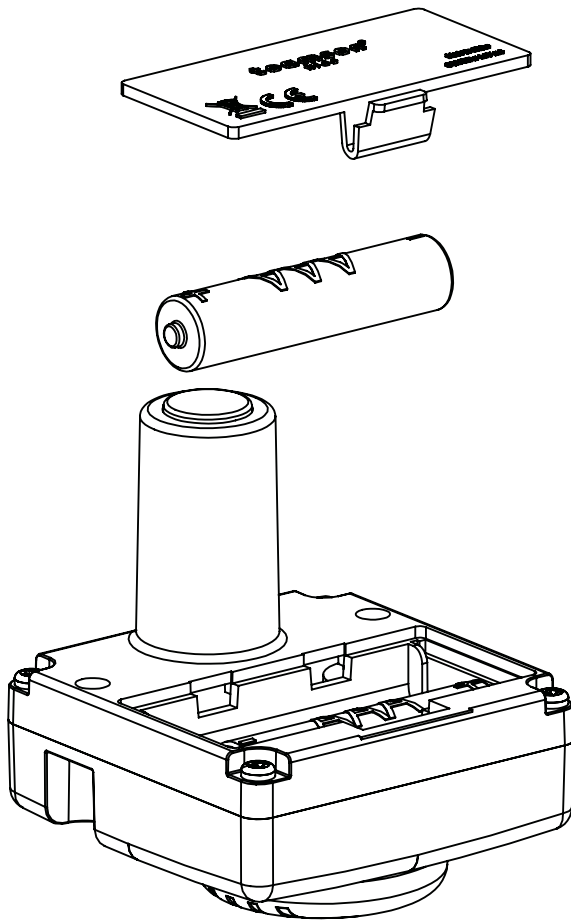
### Accessory

**2109017**

Door Bell (x1)

#### Battery Replacement Instructions:

- Use a screwdriver to remove the battery cover.
- Replace the batteries with two (2) AAA button cell batteries, ensuring they are installed with the correct polarity (+/-).
- Securely reattach the battery cover and tighten the screws. Ensure the compartment is properly sealed before use.



#### Notes:

- Do not mix old and new batteries.
- Do not use different types of batteries (e.g., alkaline, rechargeable, carbon-zinc).
- Non-rechargeable batteries must not be recharged.
- Remove exhausted batteries from the product immediately to prevent leakage.
- If the toy will not be used for a long time, remove all batteries.
- Do not short-circuit the supply terminals.

#### Battery Safety Warnings:

1. Keep batteries out of reach of children.
2. Swallowing batteries can cause serious injury or death in as little as two hours due to chemical burns or perforation of the esophagus.
3. If a button battery is swallowed, seek urgent medical attention immediately.
4. Ensure the battery compartment is securely fastened. Do not use if the compartment is loose or improperly secured.
5. Dispose of used batteries responsibly and safely; flat batteries can still pose hazards.
6. Educate children on the dangers of button batteries and how to handle them safely.

# Step 19

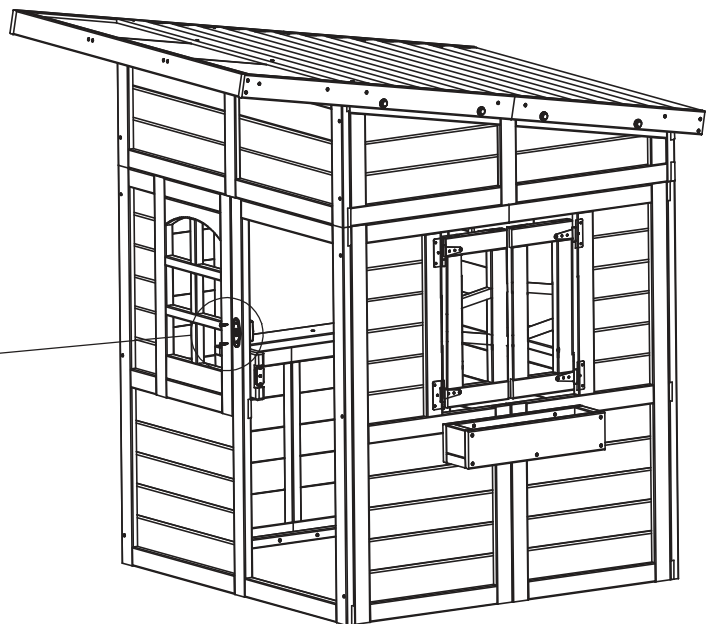
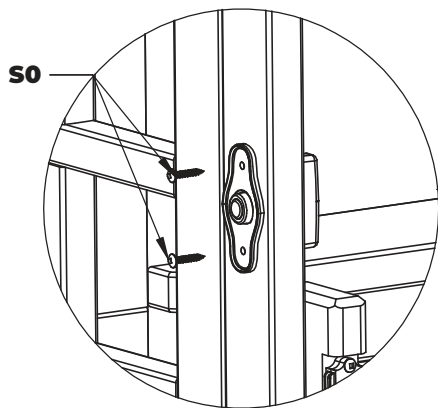
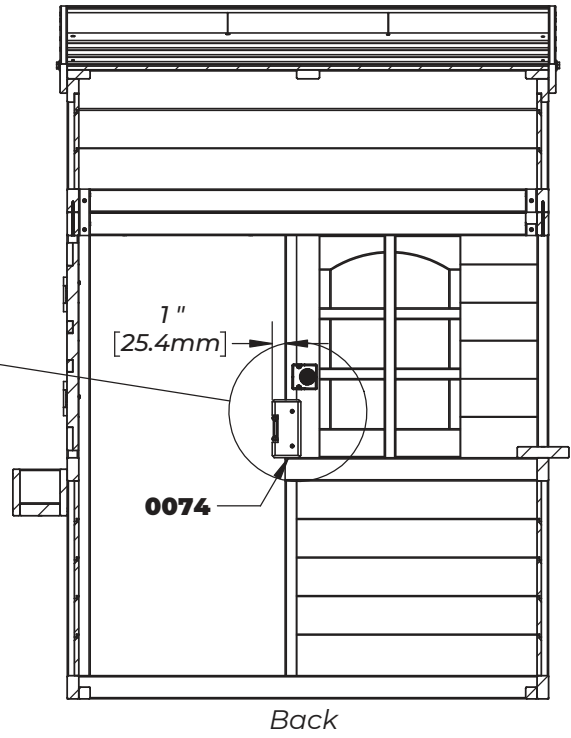
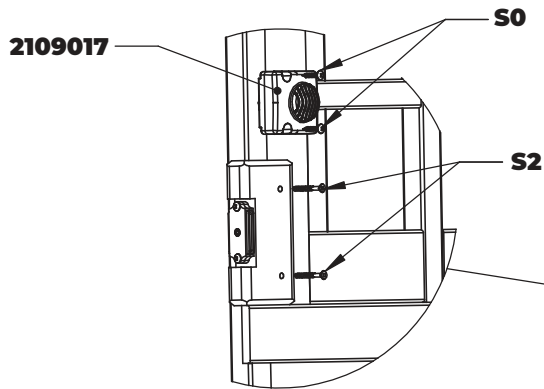
## Hardware

**S0** Truss Head Screw  
(x4) - #8 x 7/8"

**S2** Wood Screw  
(x2) - #8 x 1 1/2"

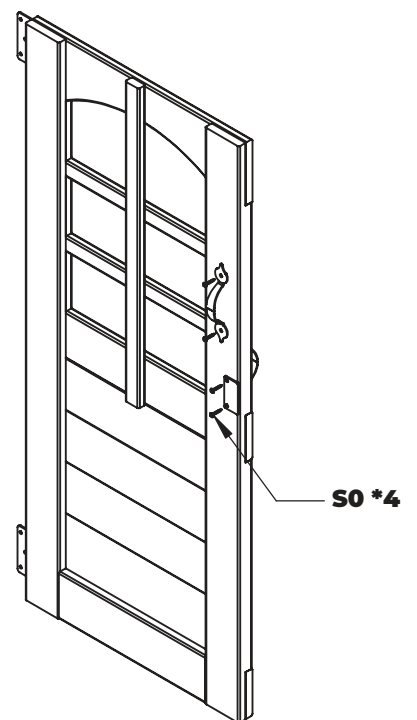
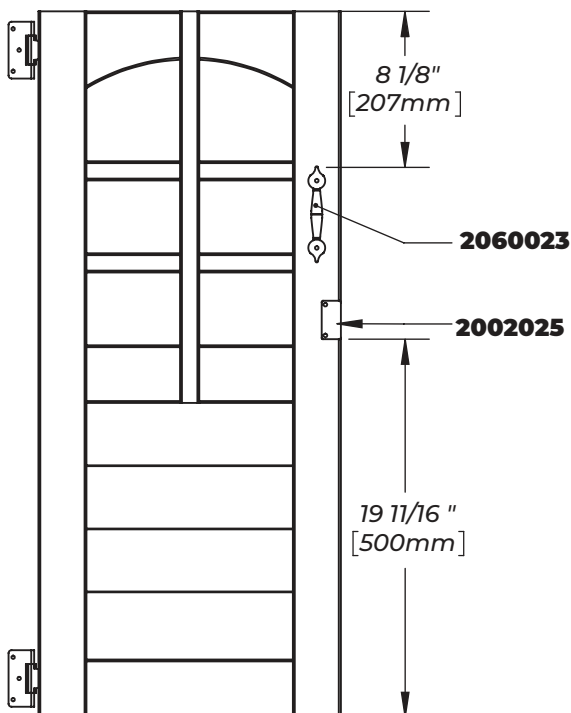
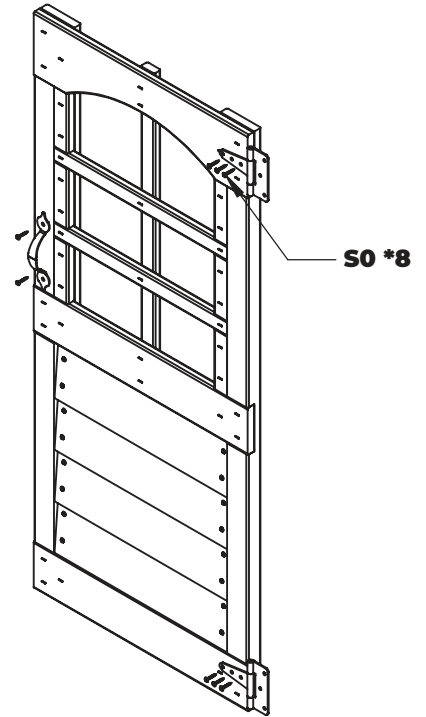
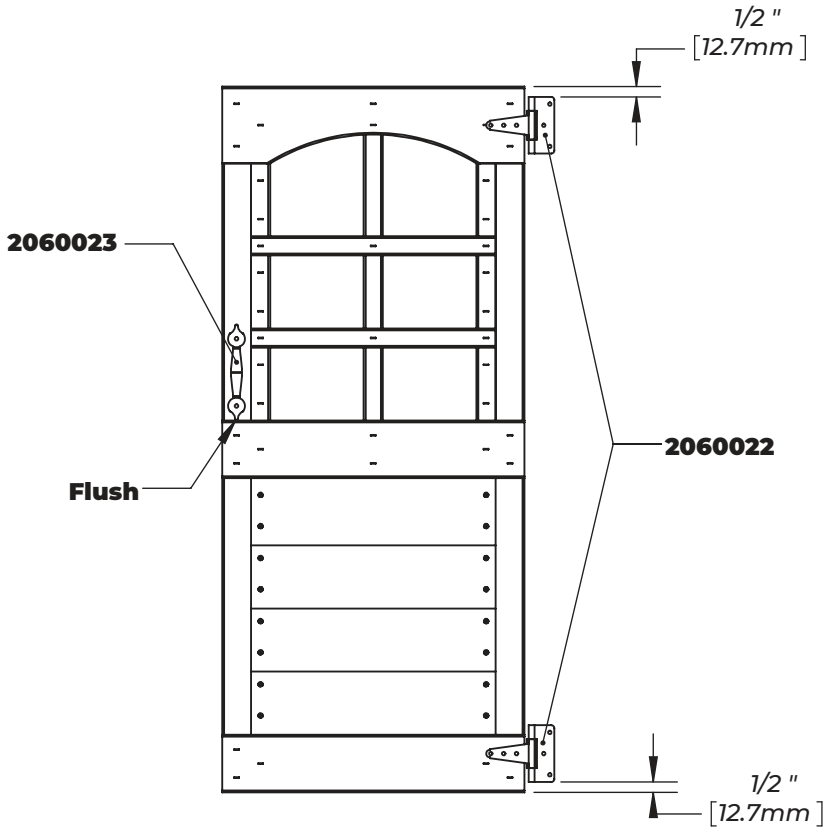
## Accessory

**2109017**  
Door Bell (x1)



# Step 20

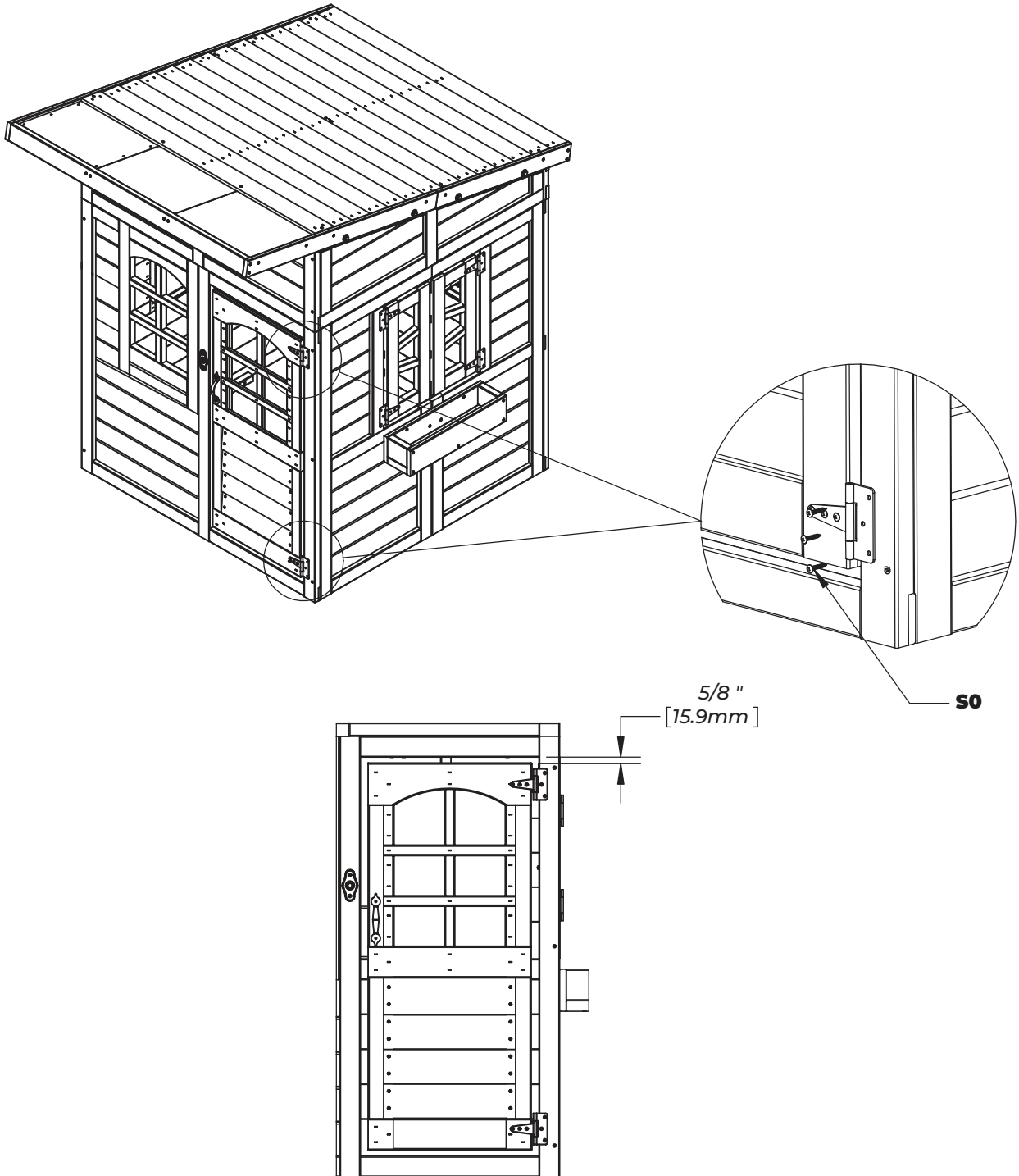
Wood Parts	Hardware	Accessory
<b>020 Door - 37090020</b> (x1) - 1" x 15 3/4" x 36 3/4"	<b>S0 Truss Head Screw</b> (x12) - #8 x 7/8"	<b>2060022</b> Swing Hinge (x2) <b>2060023</b> Door Handle (x2) <b>2002025</b> Steel Plate (x1)



# Step 21

## Hardware

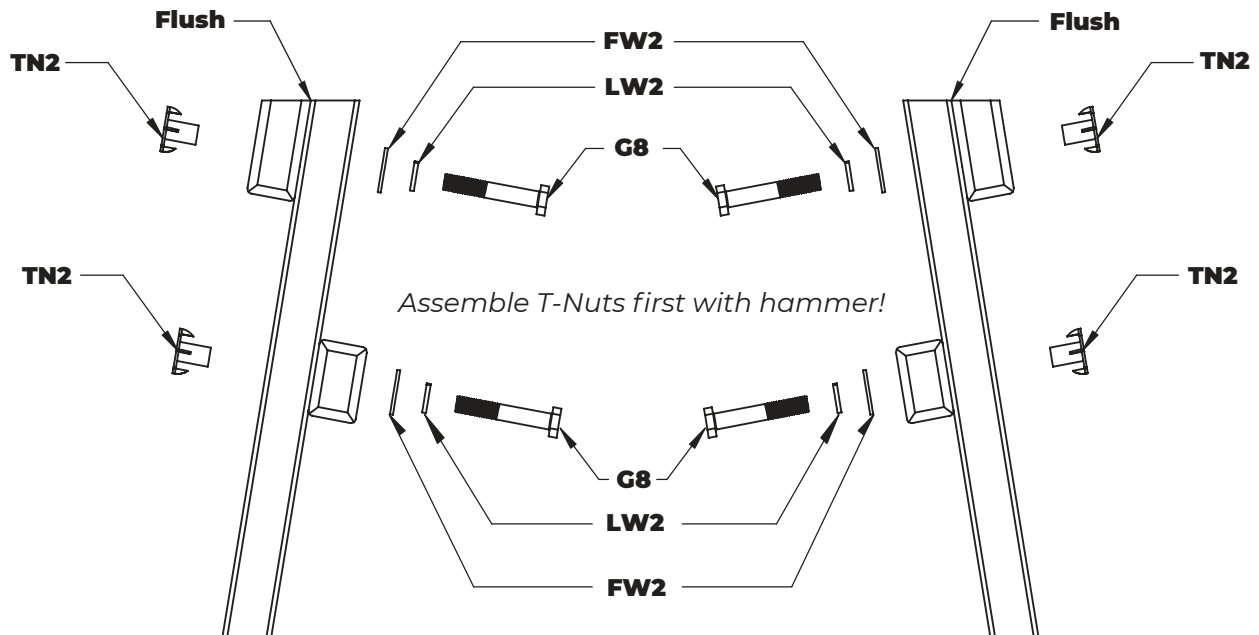
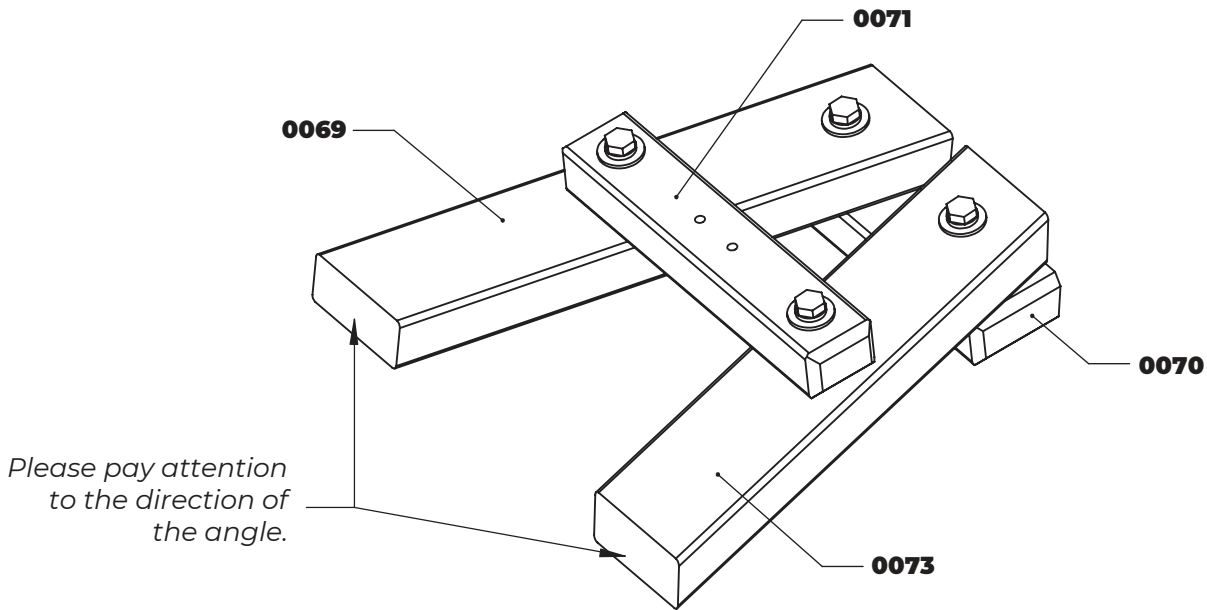
**S0** Truss Head Screw  
(x6) - #8 x 7/8"



# Step 22

Wood Parts	Hardware
<b>0069</b> Bench Leg A (x2) - 1" x 2 1/2" x 11 13/16"	<b>G8</b> Hex Bolt (x8) - 5/16" x 2"
<b>0070</b> Bench Top Support (x2) - 11/4" x 11/4" x 6 1/2"	<b>FW2</b> Washer Flat (x8) - 5/16"
<b>0071</b> Bench Cross Brace B (x2) - 5/8" x 1 1/2" x 7 7/8"	<b>LW2</b> Washer Lock (x8) - 5/16"
<b>0073</b> Bench Leg B (x2) - 1" x 2 1/2" x 11 13/16"	<b>TN2</b> Tee-Nut (x8) - 5/16"

Repeat this step two times



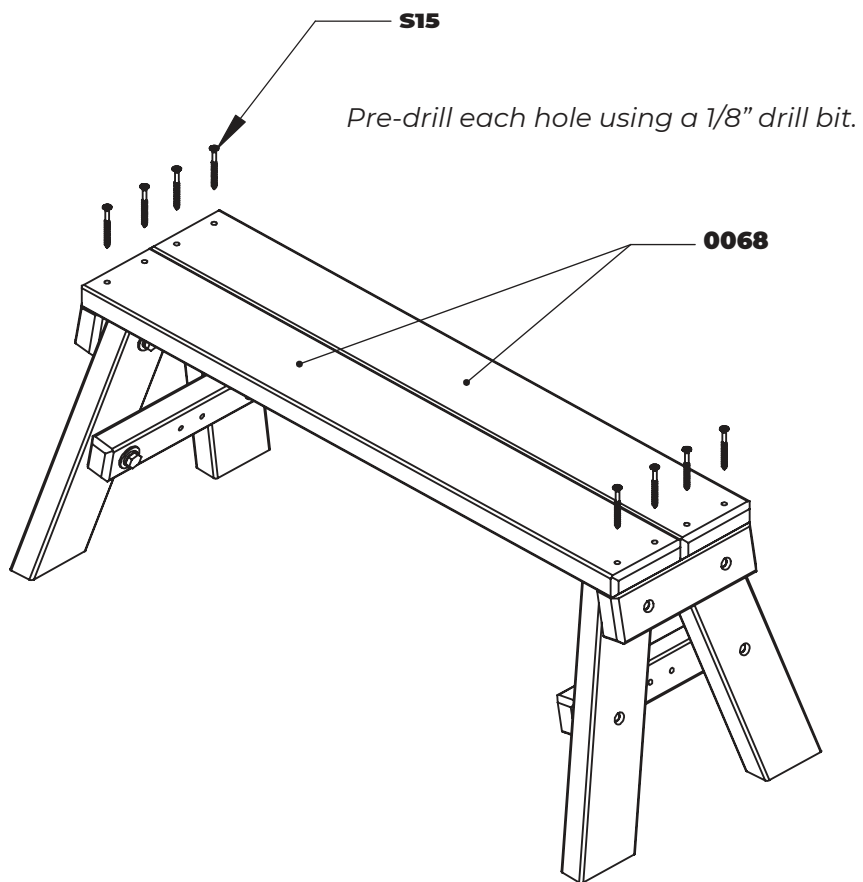
## Step 23

### Wood Parts

**0068** Bench Top  
(x2) - 15/16" x 3 1/4" x 25 1/8"

### Hardware

**S15** Wood Screw  
(x8) - #8 x 1-3/4"



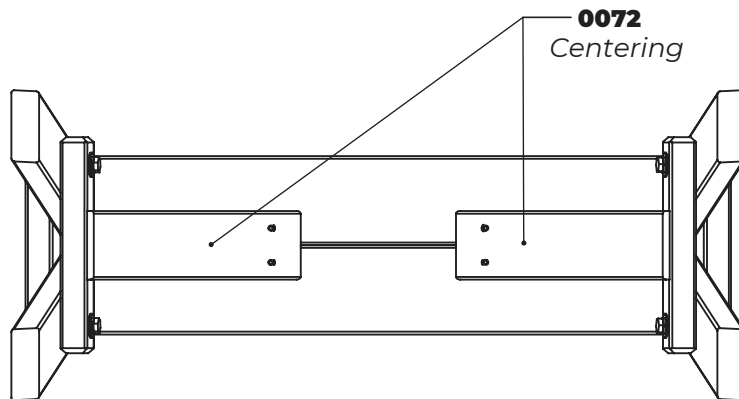
## Step 24

### Wood Parts

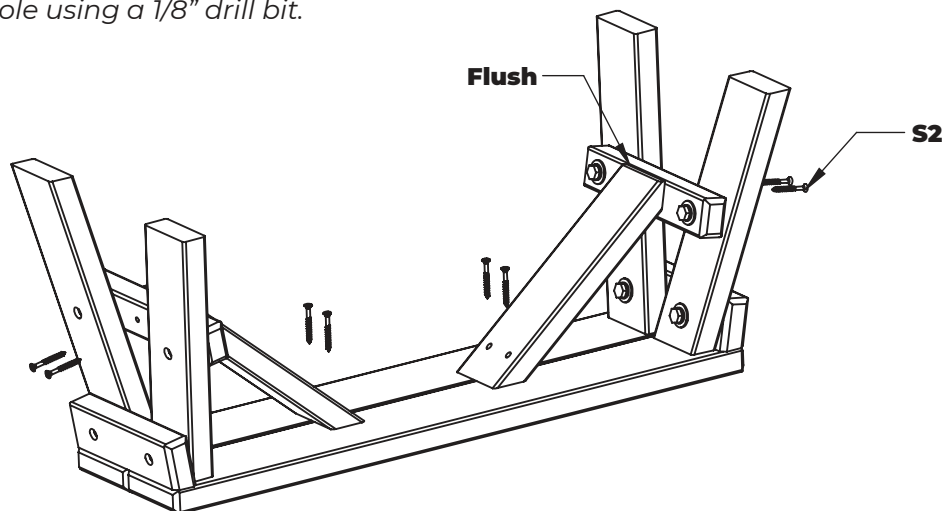
**0072** Bench Cross Brace A  
(x2) - 15/16" x 2" x 7 7/8"

### Hardware

**S2** Wood Screw  
(x8) - #8 x 1 1/2"

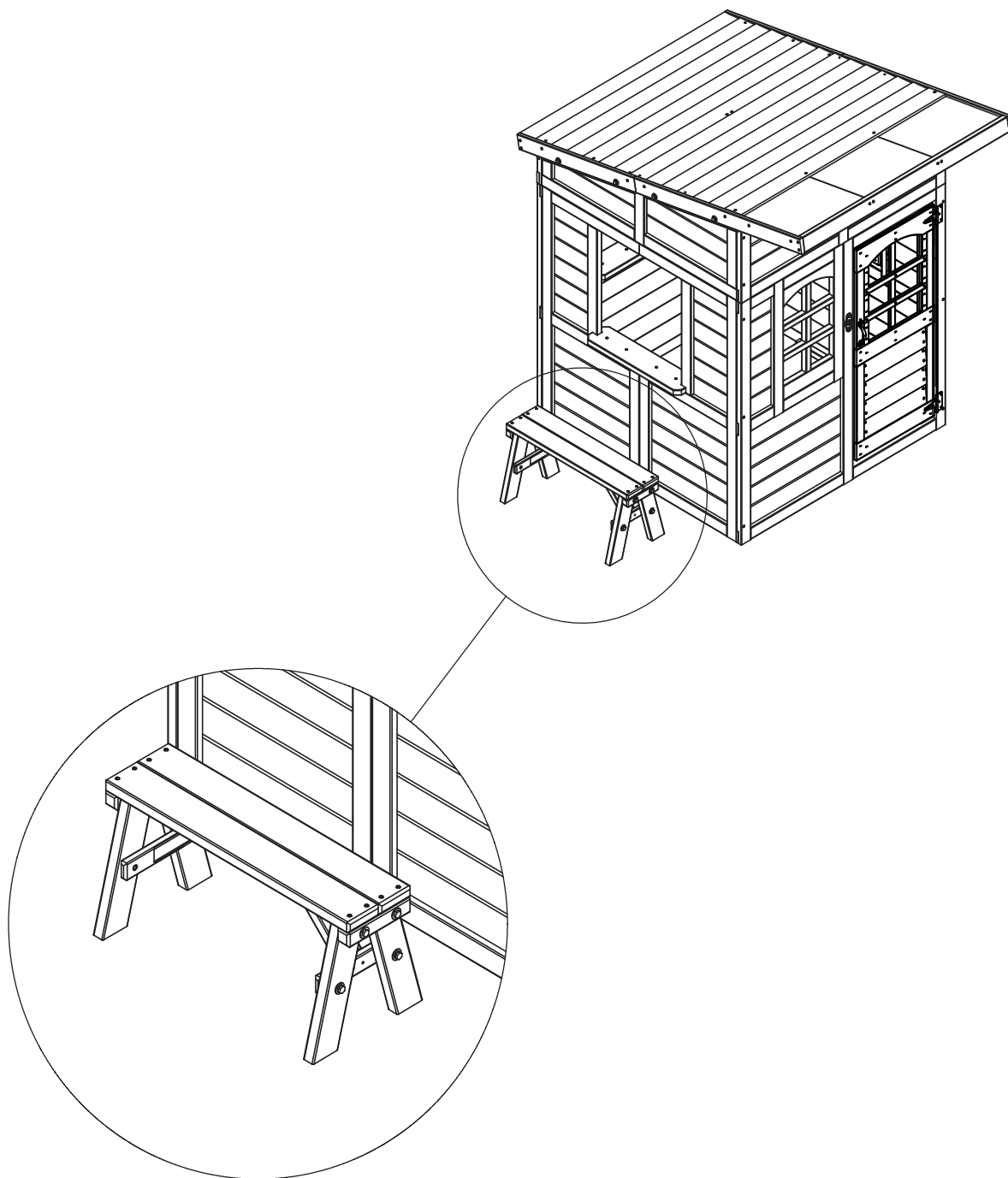


Pre-drill each hole using a 1/8" drill bit.





# Step 25



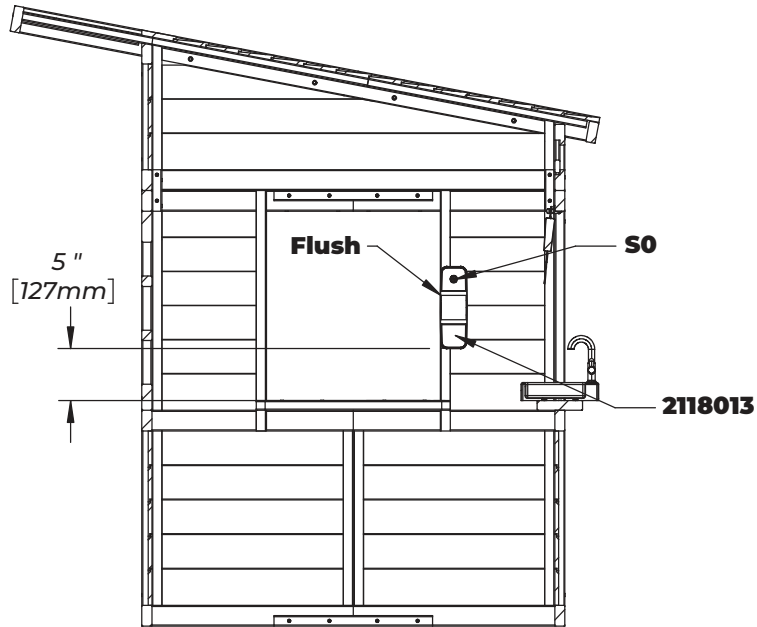
# Step 26

## Hardware

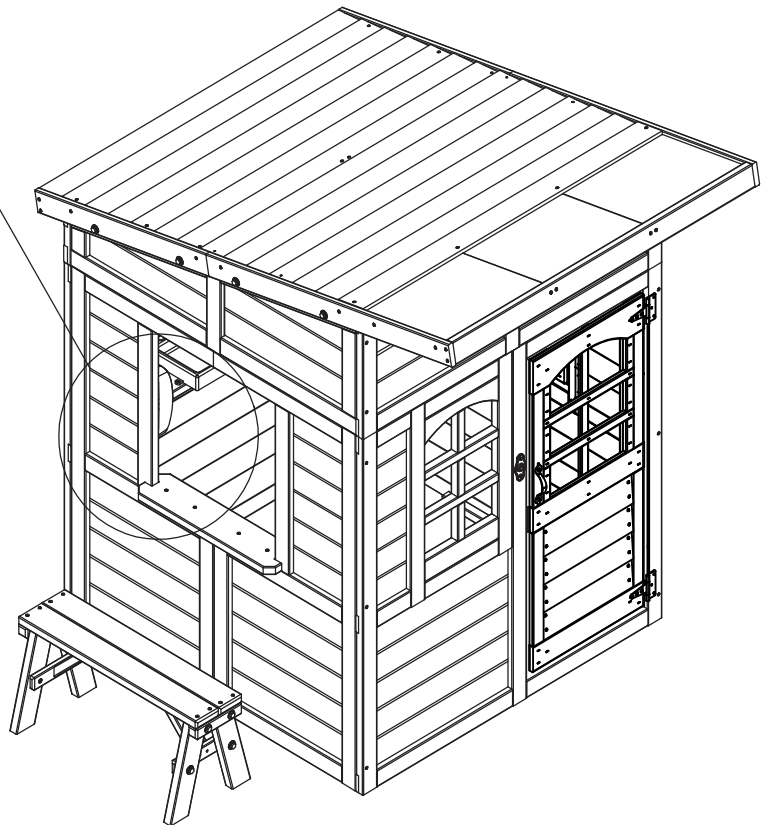
**S0** Truss Head Screw  
(x1) - #8 x 7/8"

## Accessory

**2118013**  
Phone (x1)



*Inside*



# Step 27

## Hardware

**S0** Truss Head Screw  
(x2) - #8 x 7/8"

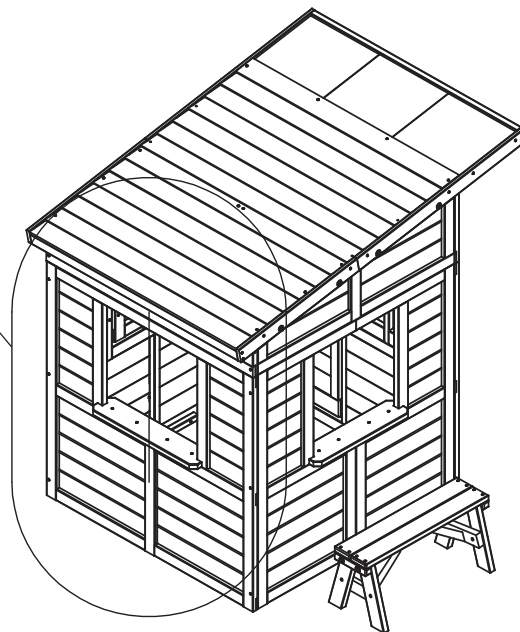
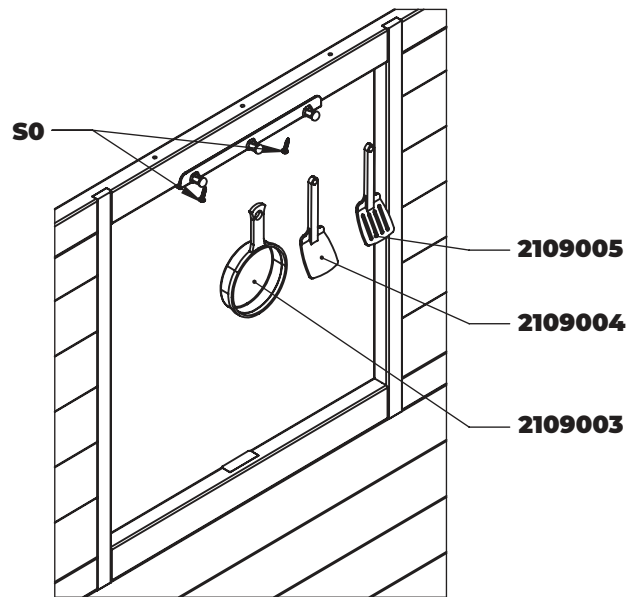
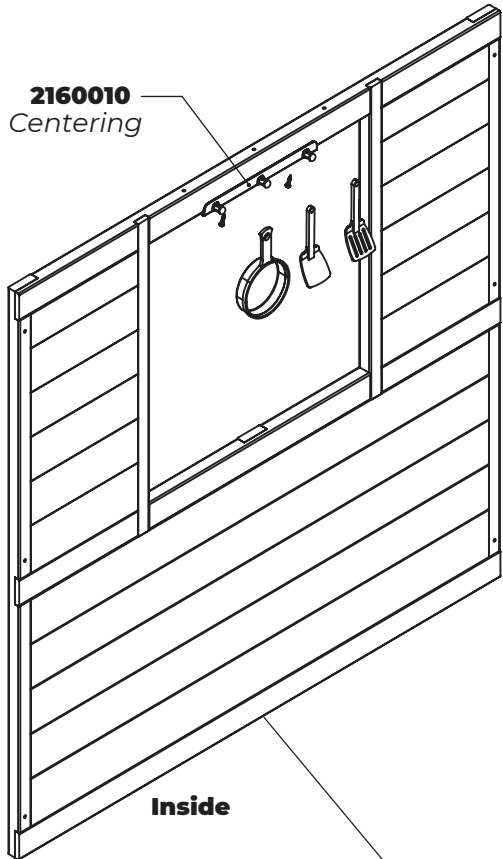
## Accessory

**2109003**  
Kitchen Pan (x1)

**2109004**  
Kitchen Spatula (x1)

**2109005**  
Kitchen Leak Shovel (x1)

**2160010**  
Kitchen Ware Hook (x1)



# Step 28

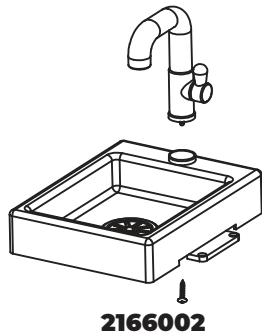
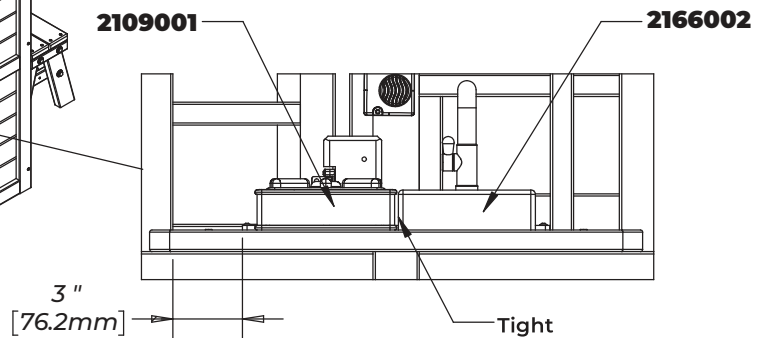
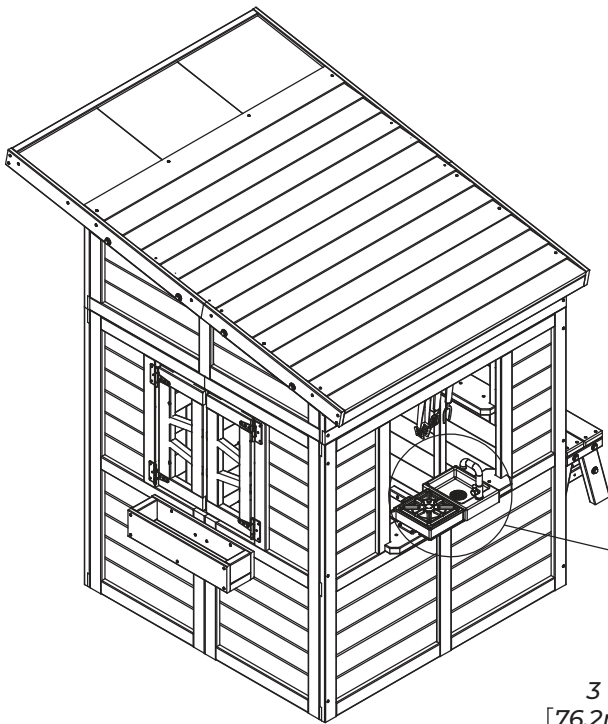
## Hardware

**S0** Truss Head Screw  
(x6) - #8 x 7/8"

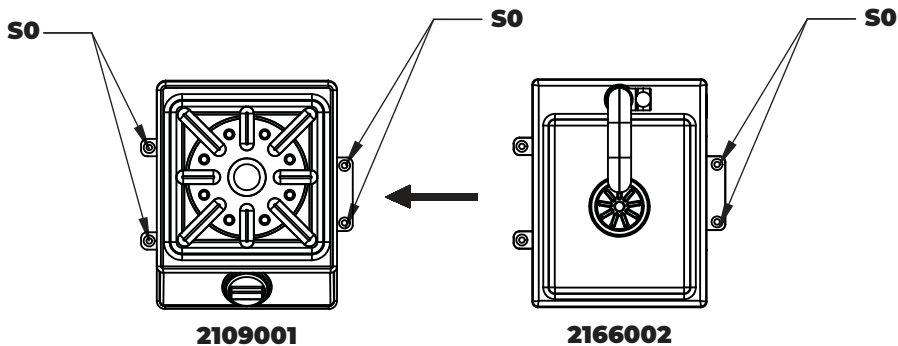
## Accessory

**2109001**  
Kitchen Stove (x1)

**2166002**  
Kitchen Sink (x1)



1. First, install the **2166002** faucet on the sink using the screws provided in the package.
2. Center part **2109001** on the platform, 3 inch from the edge, and secure it using four **S0** screws.
3. Insert part **2166002** into the reserved slot of **2109001**. Ensure the two parts are tightly fitted and aligned front and back, and secure them with two **S0** screws.



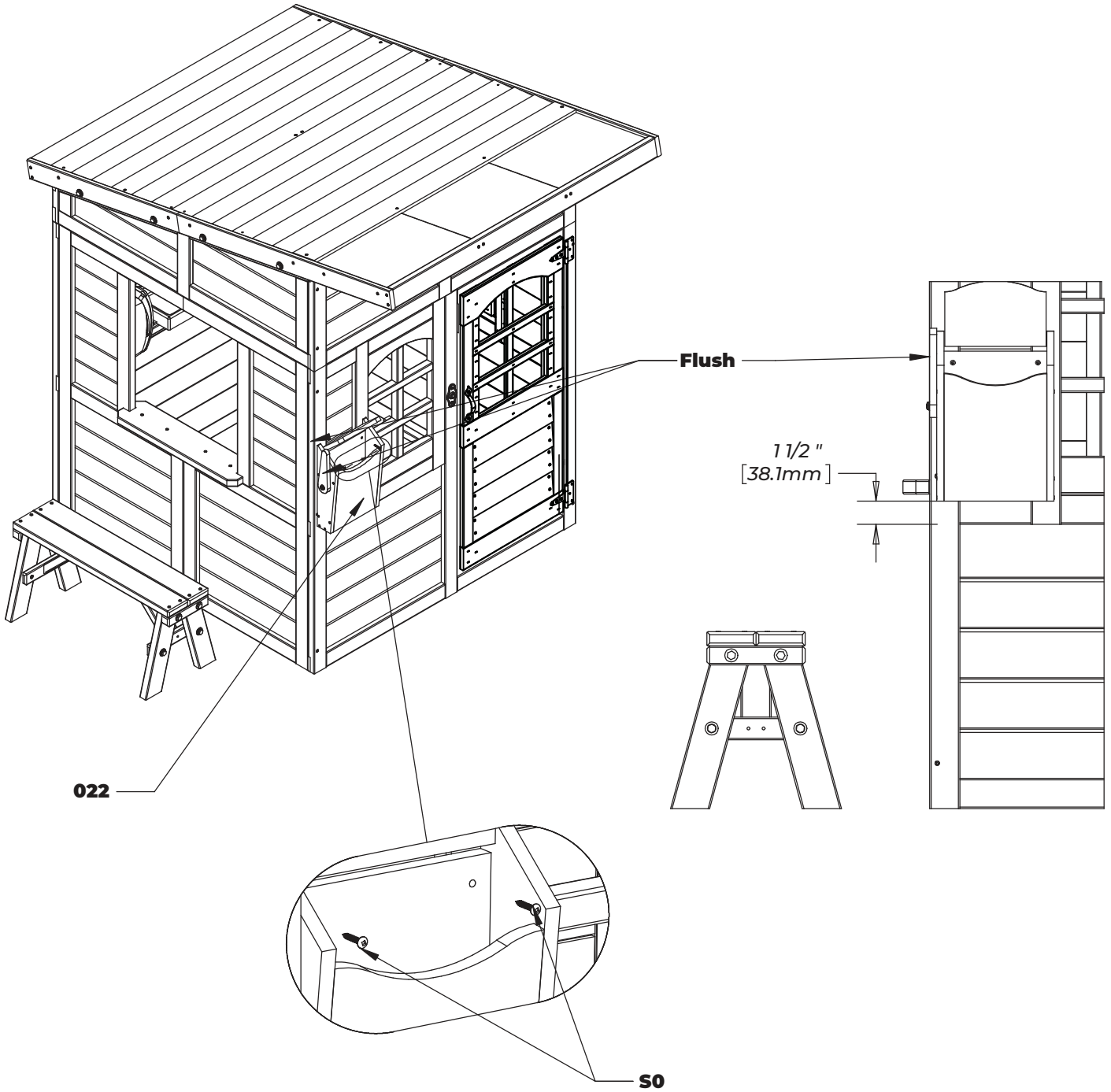
# Step 29

## Wood Parts

**022** letter Box - 37090022  
(x1) - 3 3/4" x 8 9/16" x 11 7/16"

## Hardware

**S0** Truss Head Screw  
(x2) - #8 x 7/8"



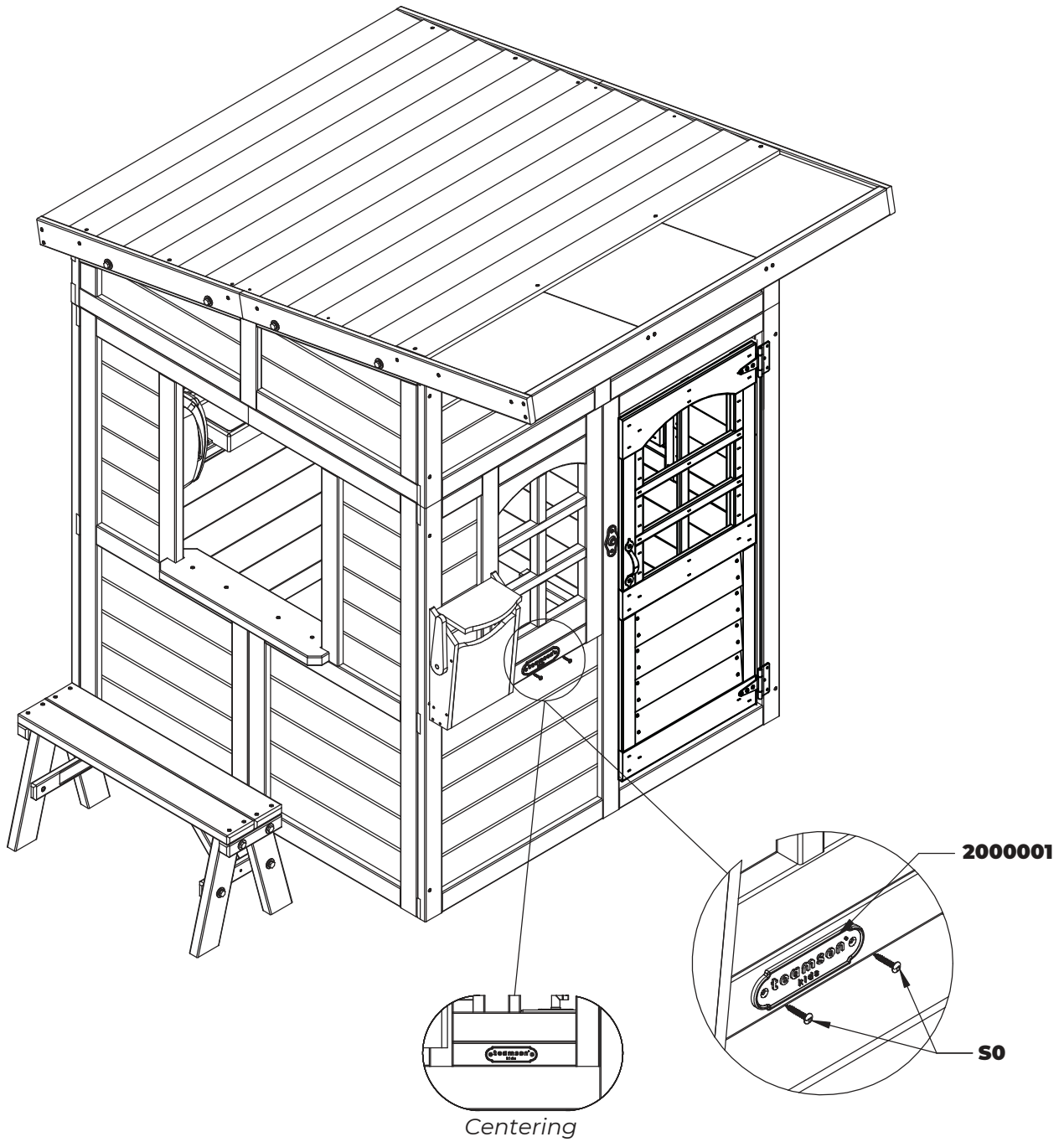
# Step 30

## Hardware

**S0** Truss Head Screw  
(x2) - #8 x 7/8"

## Accessory

**2000001**  
Teamson Playhouse Plaque(x1)



# Step 31

## Hardware

**S0** Truss Head Screw  
(x2) - #8 x 7/8"

## Accessory

**2000030**  
Playhouse ID Plaque (x1)

