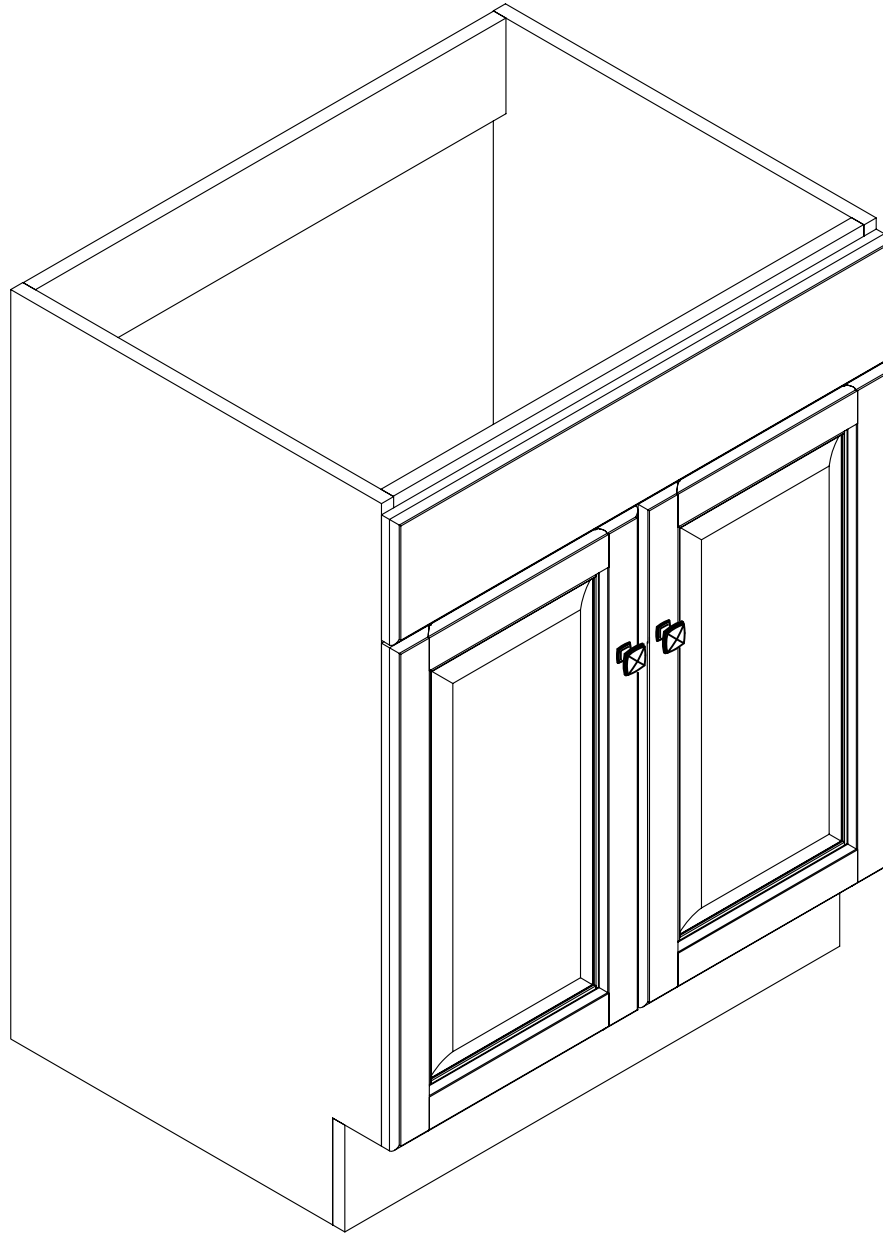




www.todaysdesignhouse.com

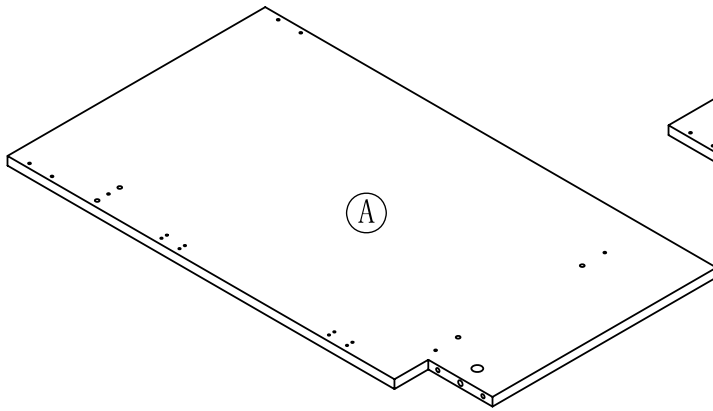


591206

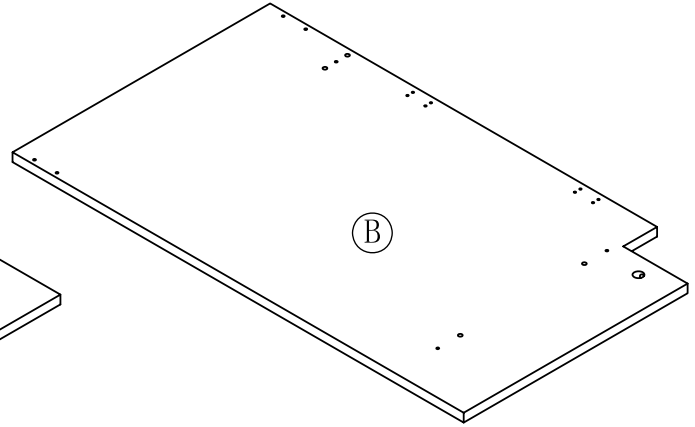
ASSEMBLY INSTRUCTIONS

DHI Corp. • 5205 W. Donges Bay Rd. • Mequon, WI 53092 • 800.558.8700

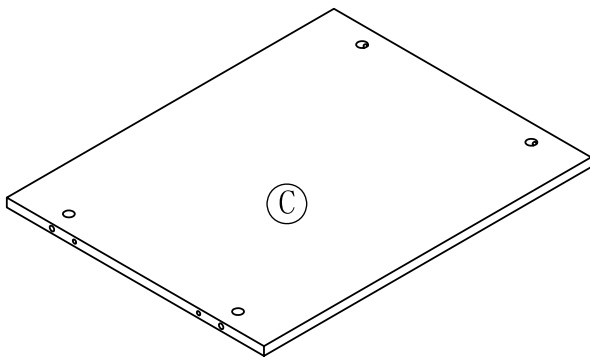
PARTS LIST:



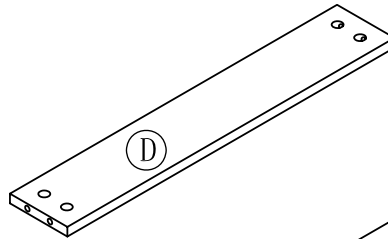
LEFT SIDE PANEL 1PC



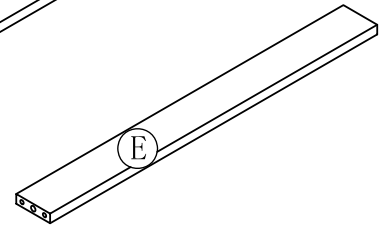
RIGHT SIDE PANEL 1PC



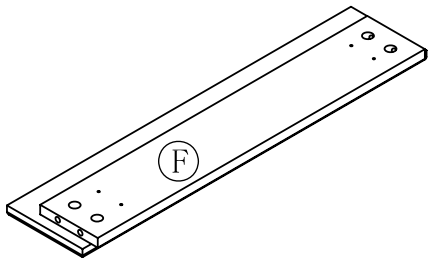
BOTTOM PANEL 1PC



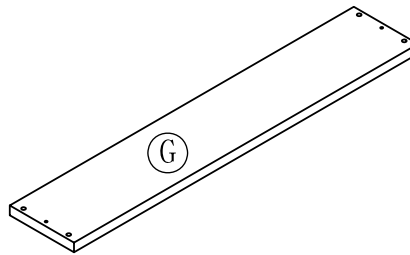
BACK CROSS BRACE 1PC



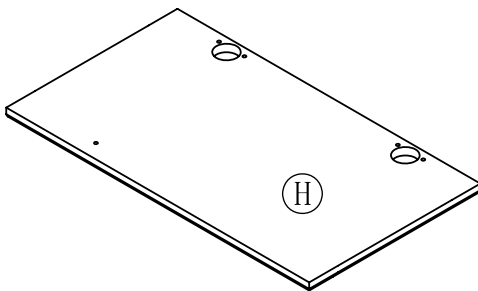
FRONT CROSS BRACE 1PC



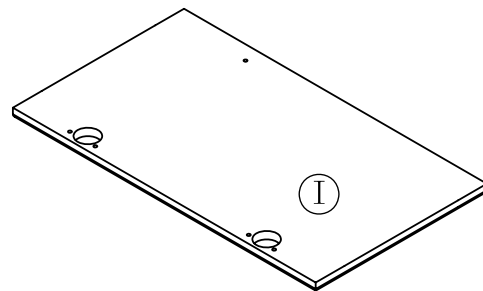
FALSE DRAWER FRONT 1PC



TOE KICK PANEL 1PC



LEFT SIDE DOOR 1PC

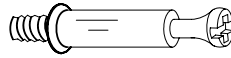


RIGET SIDE DOOR 1PC

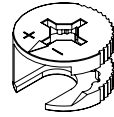
HARDWARE LIST:



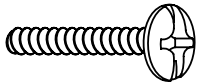
a. WOOD DOWEL 12PCS



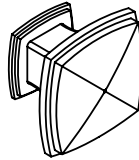
b. CAM LOCK SCREW 16PCS



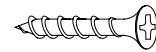
c. CAM LOCK 16PCS



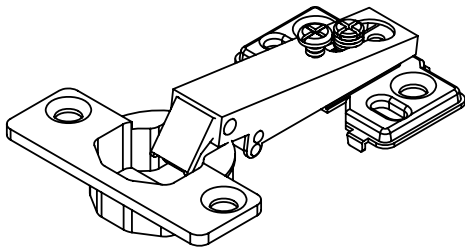
d. KNOB BOLT 2PCS



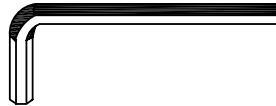
e. KNOB 2PCS



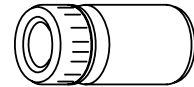
f. 5/8" L FLAT HEAD
SCREW 24PCS



g. HINGE 4PCS

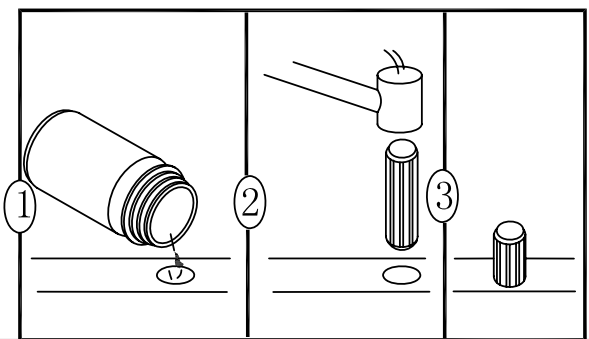
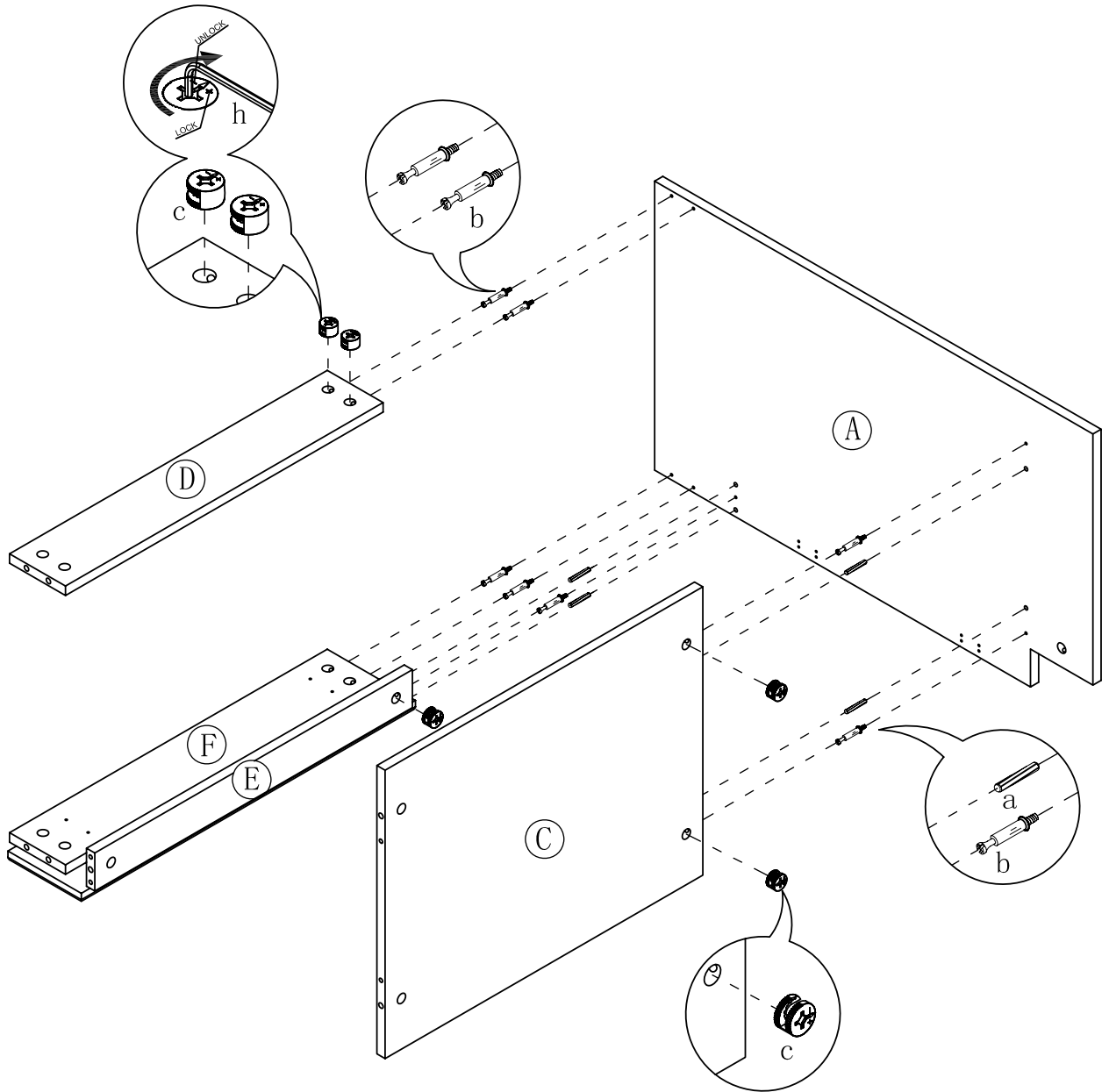


h. WRENCH 1PC

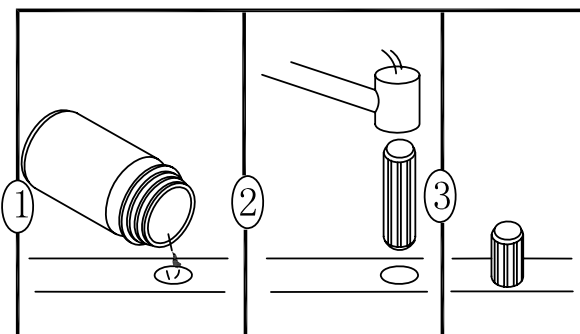
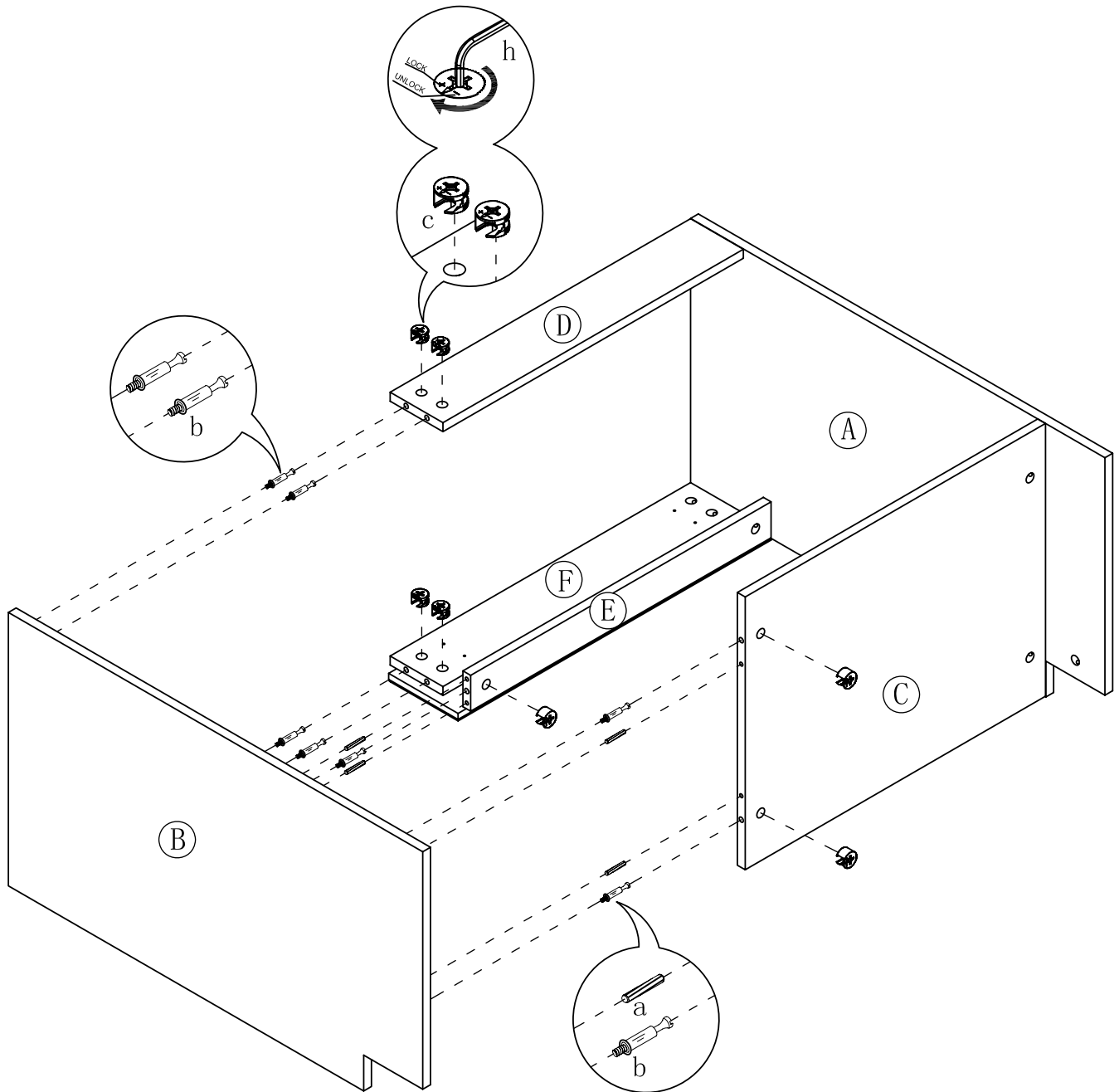


i. GLUE 1PC

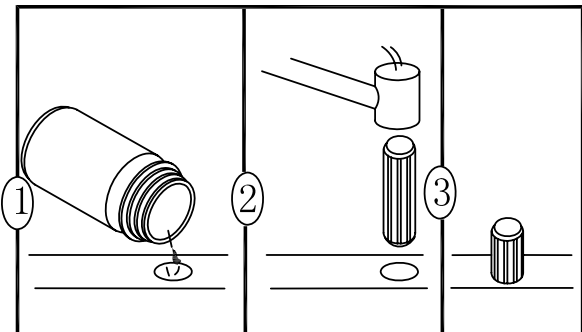
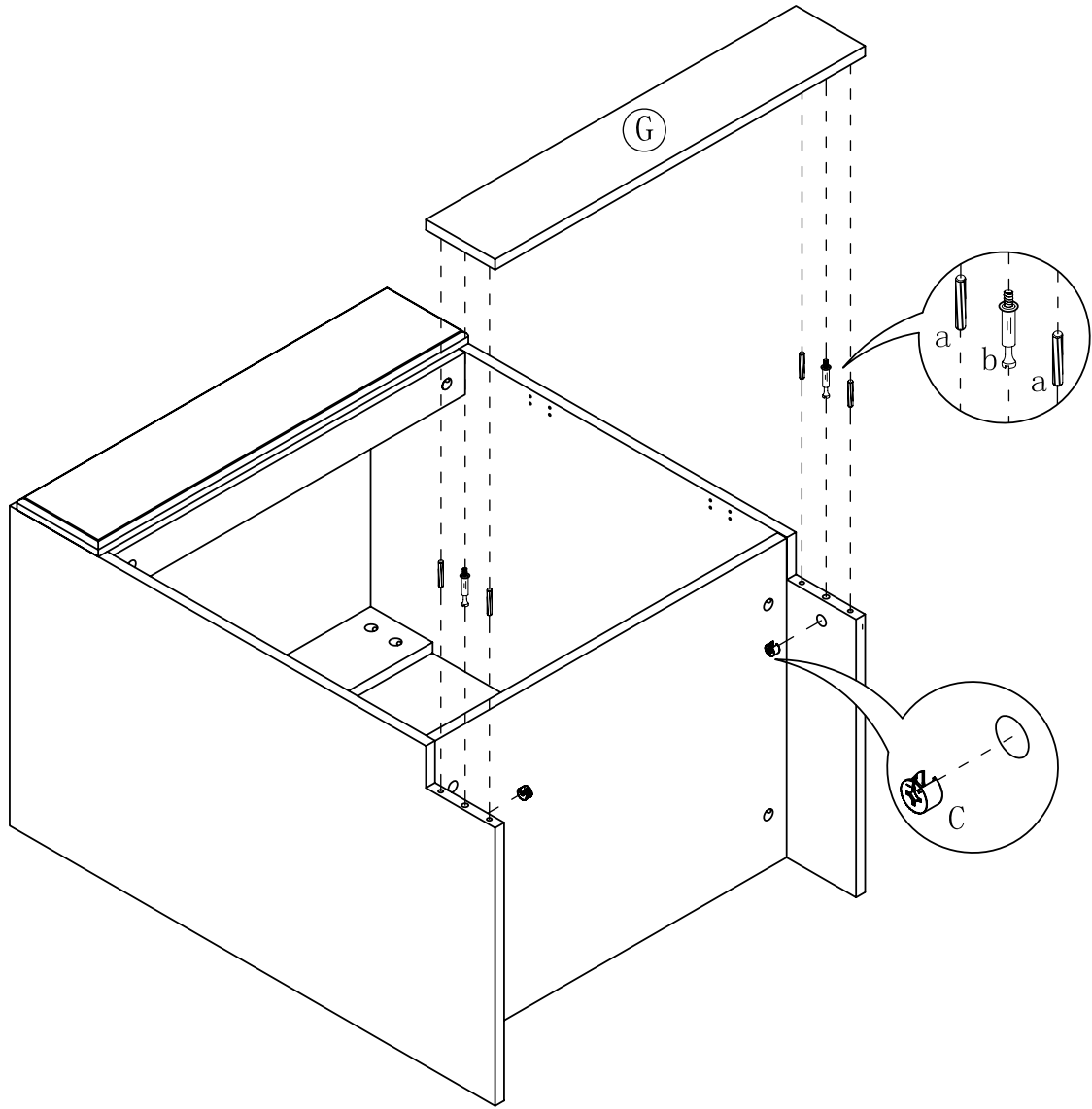
STEP 1



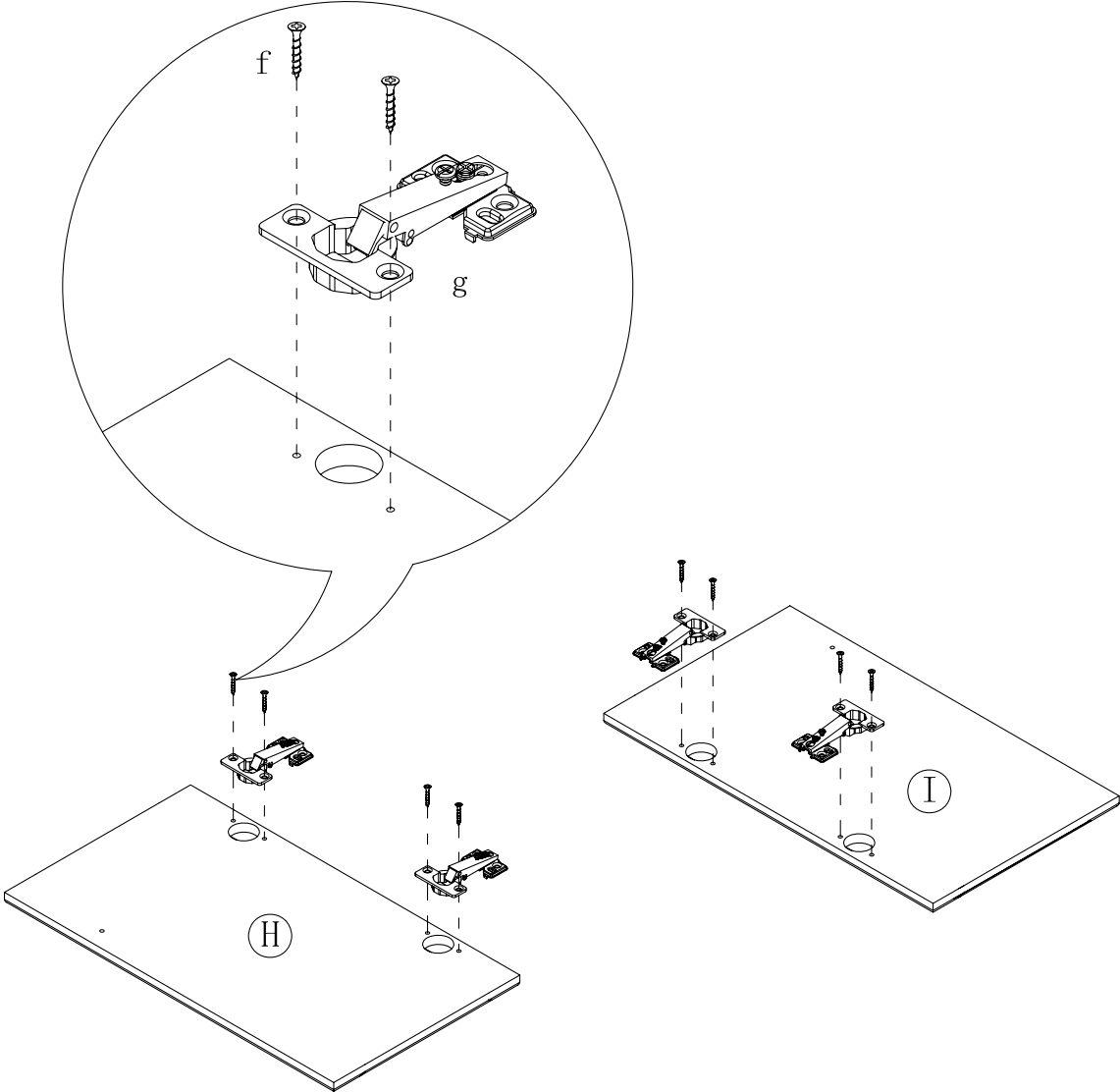
STEP 2



STEP 3



STEP 4



STEP 5

