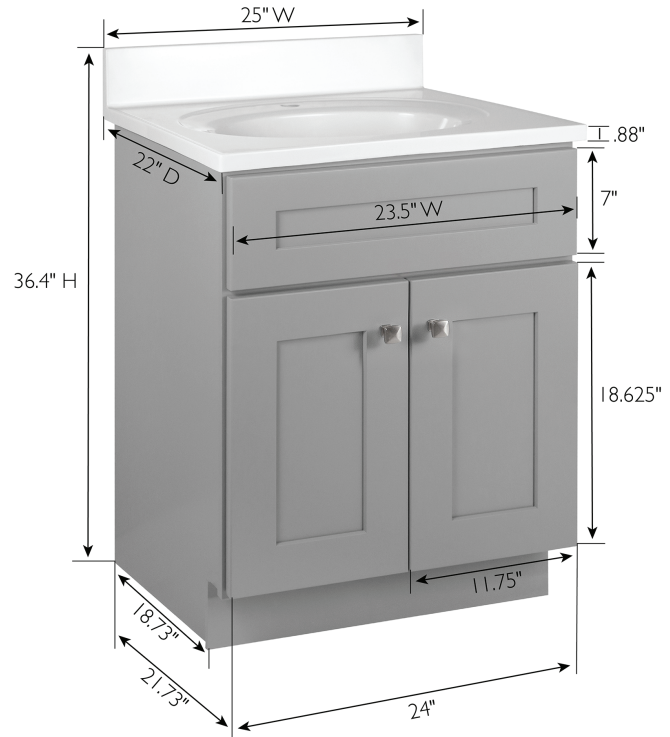


Gray

Brookings 2-Door Vanity with Cultured Marble Single Hole Solid White Top, Unassembled, 25x22



SPECIFICATIONS

MATERIAL CONSTRUCTION:	Wood/Cultured Marble	TOE KICK INSET WIDTH:	3"
ASSEMBLY REQUIRED:	Yes	BACK PANEL MATERIAL:	Plywood
ASSEMBLED DIMENSIONS:	36.4" H x 25" L x 22" D	BACK BRACE MATERIAL:	Solid Wood
ASSEMBLED WEIGHT:	79.78 lbs.	FAUCET TYPE:	Lav Single Hole
TOOLS NEEDED FOR INSTALLATION:	100% Silicone, Phillips Screwdriver, Rubber Mallet, Wood Glue	NUMBER OF MOUNTING HOLES:	1
CONSTRUCTION TYPE:	Face Frame	BOWL MATERIAL:	Cultured Marble
HINGE STYLE:	Soft Close	BACK SPLASH INCLUDED:	Yes
DOOR STYLE:	2 MDF Shaker Doors	COLOR:	Solid White
DRAWER STYLE:	N/A	NUMBER OF BOWLS:	1
GLIDE STYLE:	N/A	BOWL DIMENSIONS:	11.61" W x 16.97" D
FAKE DWR STYLE:	N/A	BOWL SHAPE:	Oval
DWR #1 DIMENSIONS:	N/A	SINK THICKNESS:	0.98"
DWR CONSTRUCTION:	N/A	MOUNTING TYPE:	Integrated
SHELF STYLE:	N/A	OVERFLOW HOLE:	Yes
SHELF ADJUSTABILITY INCREMENTS:	N/A	WARRANTY:	1-Year limited warranty
SHELF MAX WEIGHT CAPACITY:	N/A	TSCA TITLE IV COMPLIANT:	Yes
SHELF DIMENSIONS:	N/A	LEGAL FOR SALE IN CALIFORNIA:	Yes
SHELF THICKNESS:	N/A	PROP 65 HARMFUL MATERIAL:	Formaldehyde
SHELF MATERIAL:	N/A		
FRAME STYLE:	N/A		
FACE FRAME MATERIAL:	Solid Wood		
SIDES MATERIAL:	Plywood		
BOTTOM MATERIAL:	Plywood		



TYPE:
JOB:
ORDER CODE:
APPROVALS: