

# Commercial Pedestal - Seat Cushion Installation

---

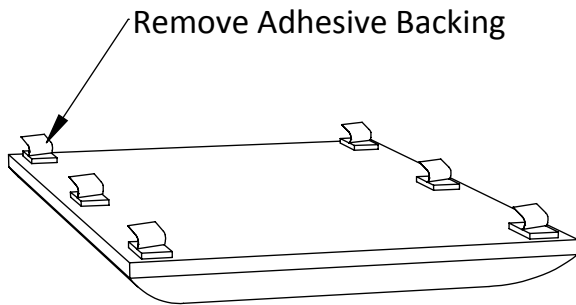


Figure 1

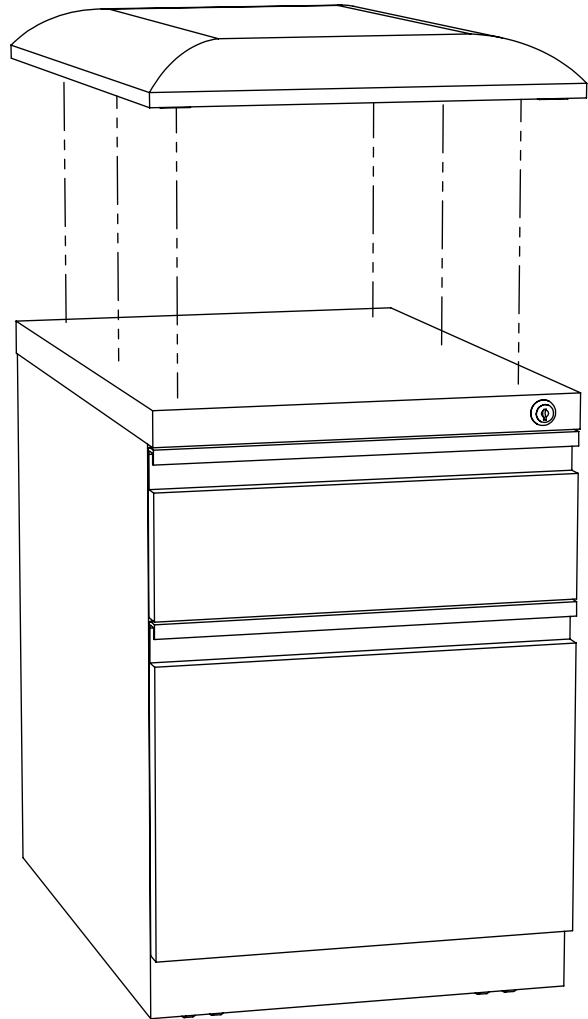



Figure 2

---

**IMPORTANT!** Read all instructions before proceeding.

1. Remove adhesive backing from each hook and loop fastener on the seat cushion.

 Do not separate the hook and loop fastener before installing the seat cushion. (Figure 1)

2. Align the four edges of the seat with each side of the top panel and press down firmly to secure the seat to the pedestal top panel. (Figure 2)